

## Excellent Integrated System Limited

Stocking Distributor

Click to view price, real time Inventory, Delivery & Lifecycle Information:

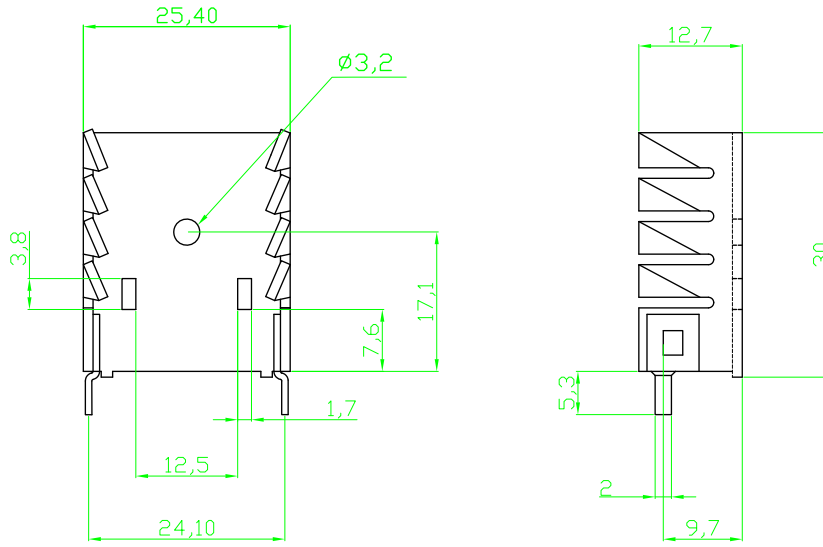
[ASSMANN WSW Components](#)

[V8502A](#)

For any questions, you can email us directly:

[sales@integrated-circuit.com](mailto:sales@integrated-circuit.com)

RoHS compliant



Notes  
Material : AL 1050 T=1.2MM  
Finished : Black Anodize

Scale	FREE					Date	Name	Customer-No.
TOLERANCE						Drawn	05.06.2003	Menk
.X	±X					Approved	10.03.2010	Andy
.XX	±X	③	Modify drawing layout	10.03.2010	Alex			ASSMANN WSW-No. V8502A
DIM	TOL	②	Update	11.08.2009	Dean			Drawing-No.
X.°	±X°							ASS 0537 HS
X.X°	±X°	①	Drawn	05.06.2003	Menk			rev03
Angle	TOL	Id.	Modification	Date	Name			Replace
								Sheet

1

2

3

4

5

6

7