

Excellent Integrated System Limited

Stocking Distributor

Click to view price, real time Inventory, Delivery & Lifecycle Information:

[Phoenix Contact](#)
[1706785](#)

For any questions, you can email us directly:
sales@integrated-circuit.com



Extract from the online catalog

MKDSP 10/ 2-10,16

Order No.: 1706785

The illustration shows the 3-pos. version



<http://eshop.phoenixcontact.de/phoenix/treeViewClick.do?UID=1706785>

PC terminal block, Nominal current: 76 A, Nom. voltage: 690 V, Pitch: 10.16 mm, Number of positions: 2, Type of connection: Screw connection, Assembly: Soldering, Conductor/PCB connection direction: 0 °, Color: green, The article can be aligned to create different nos. of positions!

Commercial data	
EAN	4017918129026
Pack	50 pcs.
Customs tariff	85369010
Weight/Piece	0.015837 KG
Catalog page information	Page 291 (CC-2007)

Product notes

WEEE/RoHS-compliant since:
01/01/2003



<http://www.download.phoenixcontact.com>
Please note that the data given here has been taken from the online catalog. For comprehensive information and data, please refer to the user documentation. The General Terms and Conditions of Use apply to Internet downloads.

Technical data

Dimensions / positions	
Pitch	10.16 mm
Dimension a	10.16 mm
Number of positions	2

MKDSP 10/ 2-10,16 Order No.: 1706785

<http://eshop.phoenixcontact.de/phoenix/treeViewClick.do?UID=1706785>

Pin dimensions	1 x 0,9 mm
Hole diameter	1.5 mm
Screw thread	M4
Tightening torque, min	1.2 Nm
Tightening torque max	1.5 Nm

Technical data

Insulating material group	I
Rated surge voltage (III/3)	8 kV
Rated surge voltage (III/2)	8 kV
Rated surge voltage (II/2)	6 kV
Rated voltage (III/2)	1000 V
Rated voltage (II/2)	1000 V
Connection in acc. with standard	EN-VDE
Nominal current I_N	76 A
Nominal voltage U_N	690 V
Nominal cross section	16 mm ²
Maximum load current	76 A (with 16 mm ² conductor cross section)
Insulating material	PA
Inflammability class acc. to UL 94	V0
Internal cylindrical gage	B6
Stripping length	10 mm

Connection data

Conductor cross section solid min.	0.5 mm ²
Conductor cross section solid max.	16 mm ²
Conductor cross section stranded min.	0.5 mm ²
Conductor cross section stranded max.	16 mm ²
Conductor cross section stranded, with ferrule without plastic sleeve min.	0.5 mm ²
Conductor cross section stranded, with ferrule without plastic sleeve max.	16 mm ²
Conductor cross section stranded, with ferrule with plastic sleeve min.	0.5 mm ²
Conductor cross section stranded, with ferrule with plastic sleeve max.	16 mm ²
Conductor cross section AWG/kcmil min.	20
Conductor cross section AWG/kcmil max	6

MKDSP 10/ 2-10,16 Order No.: 1706785

<http://eshop.phoenixcontact.de/phoenix/treeViewClick.do?UID=1706785>

2 conductors with same cross section, solid min.	0.5 mm ²
2 conductors with same cross section, solid max.	4 mm ²
2 conductors with same cross section, stranded min.	0.5 mm ²
2 conductors with same cross section, stranded max.	4 mm ²
2 conductors with same cross section, stranded, ferrules without plastic sleeve, min.	0.5 mm ²
2 conductors with same cross section, stranded, ferrules without plastic sleeve, max.	2.5 mm ²
2 conductors with same cross section, stranded, TWIN ferrules with plastic sleeve, min.	0.5 mm ²
2 conductors with same cross section, stranded, TWIN ferrules with plastic sleeve, max.	6 mm ²

Certificates / Approvals



Certification

CB, CCA, CSA, CUL, GOST, SEV, UL

CSA

Nominal voltage U_N	600 V
Nominal current I_N	57 A
AWG/kcmil	20-6

CUL

Nominal voltage U_N	600 V
Nominal current I_N	60 A
AWG/kcmil	20-6

UL

Nominal voltage U_N	600 V
Nominal current I_N	60 A
AWG/kcmil	20-6

MKDSP 10/ 2-10,16 Order No.: 1706785

<http://eshop.phoenixcontact.de/phoenix/treeViewClick.do?UID=1706785>

Accessories

Item	Designation	Description
------	-------------	-------------

Plug/Adapter

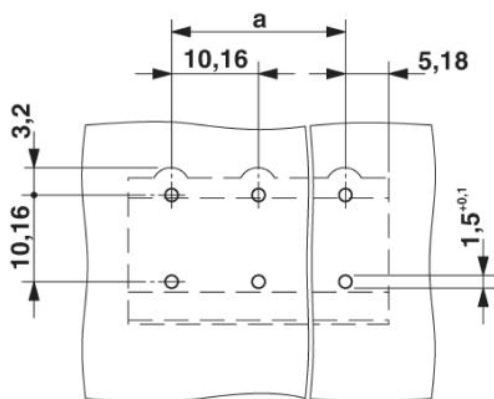
0201744	MPS-MT	Metal part
0201647	RPS	Reducing plug, Color: gray

Tools

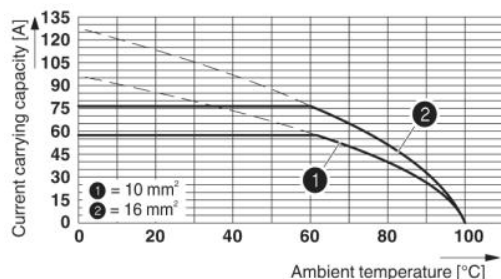
1205053	SZS 0,6X3,5	Screwdriver, bladed, matches all screw terminal blocks up to 4.0 mm ² connection cross section, blade: 0.6 x 3.5 mm, without VDE approval
---------	-------------	--

Diagrams/Drawings

Drilling plan/solder pad geometry



Diagram



Type: MKDSP 10/...-10,16

Test following DIN EN 60512-5-2:2003-01

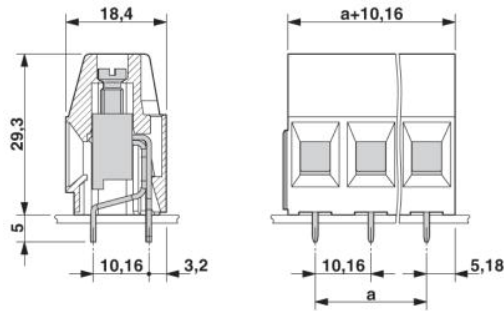
Reduction factor = 1

No. of positions: 5

MKDSP 10/ 2-10,16 Order No.: 1706785

<http://eshop.phoenixcontact.de/phoenix/treeViewClick.do?UID=1706785>

Dimensioned drawing



MKDSP 10/ 2-10,16 Order No.: 1706785

<http://eshop.phoenixcontact.de/phoenix/treeViewClick.do?UID=1706785>

Address

PHOENIX CONTACT Deutschland GmbH
Flachsmarktstr. 8
32825 Blomberg, Germany
Phone +49 5235 3 12000
Fax +49 5235 3 41200
<http://www.phoenixcontact.de>



© 2010 Phoenix Contact
Technical modifications reserved;