

Excellent Integrated System Limited

Stocking Distributor

Click to view price, real time Inventory, Delivery & Lifecycle Information:

[Phoenix Contact](#)
[1736768](#)

For any questions, you can email us directly:

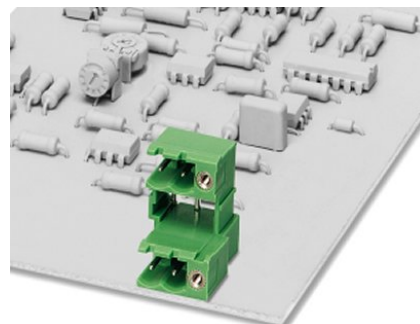
sales@integrated-circuit.com



Extract from the online catalog

MDSTB 2,5/ 2-GFR-5,08

Order No.: 1736768



<http://eshop.phoenixcontact.de/phoenix/treeViewClick.do?UID=1736768>

Header, Nominal current: 10 A, Nom. voltage: 250 V, Pitch: 5.08 mm, Number of positions: 2, Color: green, Assembly: Soldering

Commercial data

EAN	4017918027926
Pack	50 pcs.
Customs tariff	85366990
Weight/Piece	0.00557 KG
Catalog page information	Page 173 (CC-2005)

Product notes

WEEE/RoHS-compliant since:
01/01/2003



<http://www.download.phoenixcontact.com>
Please note that the data given here has been taken from the online catalog. For comprehensive information and data, please refer to the user documentation. The General Terms and Conditions of Use apply to Internet downloads.

Technical data

Dimensions / positions

Pitch	5.08 mm
Number of positions	2
Pin dimensions	1 x 1 mm
Hole diameter	1.4 mm

MDSTB 2,5/ 2-GFR-5,08 Order No.: 1736768

<http://eshop.phoenixcontact.de/phoenix/treeViewClick.do?UID=1736768>

Technical data

Insulating material group	I
Rated surge voltage (III/3)	4 kV
Rated surge voltage (III/2)	4 kV
Rated surge voltage (II/2)	4 kV
Rated voltage (III/2)	320 V
Rated voltage (II/2)	400 V
Connection in acc. with standard	EN-VDE
Nominal current I_N	10 A
Nominal voltage U_N	250 V
Maximum load current	10 A
Insulating material	PBT

Certificates / Approvals



Certification

CB, CUL, GL, GOST, UL, VDE-PZI

CUL

Nominal voltage U_N	300 V
Nominal current I_N	10 A

UL

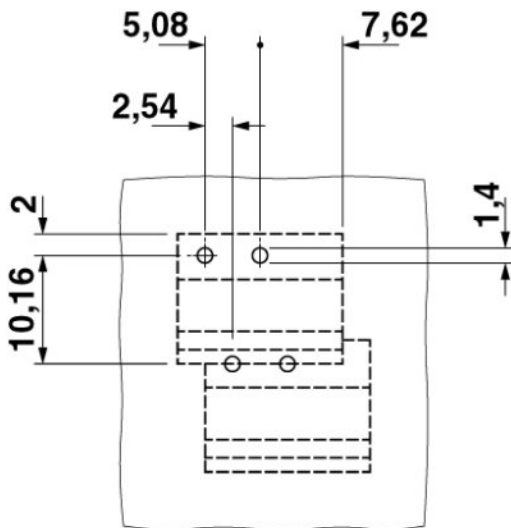
Nominal voltage U_N	300 V
Nominal current I_N	10 A

MDSTB 2,5/ 2-GFR-5,08 Order No.: 1736768

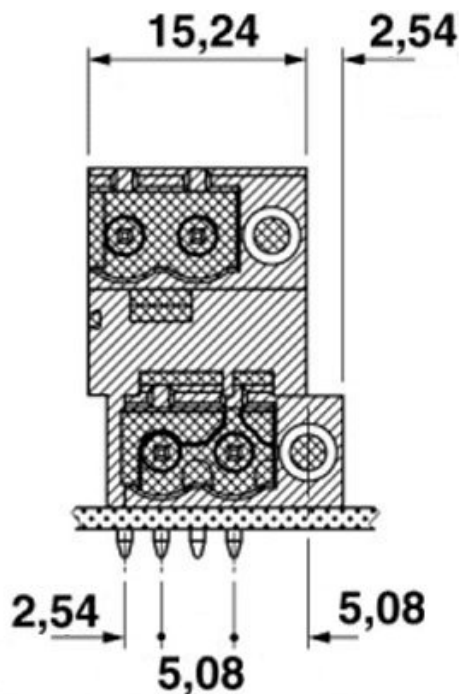
<http://eshop.phoenixcontact.de/phoenix/treeViewClick.do?UID=1736768>

Diagrams/Drawings

Drilling plan/solder pad geometry



Dimensioned drawing



MDSTB 2,5/ 2-GFR-5,08 Order No.: 1736768

<http://eshop.phoenixcontact.de/phoenix/treeViewClick.do?UID=1736768>

Address

PHOENIX CONTACT Deutschland GmbH
Flachsmarktstr. 8
32825 Blomberg, Germany
Phone +49 5235 3 12000
Fax +49 5235 3 41200
<http://www.phoenixcontact.de>



© 2010 Phoenix Contact
Technical modifications reserved;