

Excellent Integrated System Limited

Stocking Distributor

Click to view price, real time Inventory, Delivery & Lifecycle Information:

[Phoenix Contact](#)
[1740000](#)

For any questions, you can email us directly:

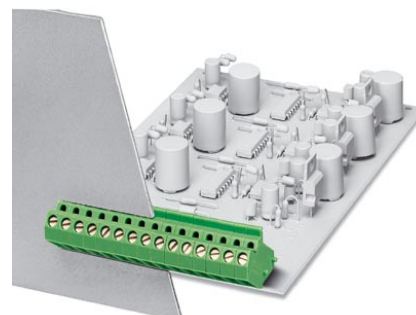
sales@integrated-circuit.com



Extract from the online catalog

DMKDS 2,5

Order No.: 1740000



<http://eshop.phoenixcontact.de/phoenix/treeViewClick.do?UID=1740000>

PC terminal block, Nominal current: 26 A, Nom. voltage: 320 V, Pitch: 5 mm, Number of positions: 1, Type of connection: Screw connection, Assembly: Soldering, Color: green, The article can be aligned to create different nos. of positions!

| Commercial data | |
|-----------------|---------------|
| EAN | 4017918028169 |
| Pack | 50 pcs. |
| Customs tariff | 85369010 |
| Weight/Piece | 0.00321 KG |

Product notes

WEEE/RoHS-compliant since:
01/01/2003



<http://www.download.phoenixcontact.com>
Please note that the data given here has been taken from the online catalog. For comprehensive information and data, please refer to the user documentation. The General Terms and Conditions of Use apply to Internet downloads.

Technical data

Dimensions / positions

| | |
|------------------------|--------|
| Pitch | 5 mm |
| Number of positions | 1 |
| Screw thread | M3 |
| Tightening torque, min | 0.5 Nm |
| Tightening torque max | 0.6 Nm |

DMKDS 2,5 Order No.: 1740000

<http://eshop.phoenixcontact.de/phoenix/treeViewClick.do?UID=1740000>
Technical data

| | |
|------------------------------------|--------|
| Insulating material group | I |
| Rated surge voltage (III/3) | 4 kV |
| Rated surge voltage (III/2) | 4 kV |
| Rated surge voltage (II/2) | 4 kV |
| Rated voltage (III/2) | 320 V |
| Rated voltage (II/2) | 630 V |
| Connection in acc. with standard | EN-VDE |
| Nominal current I_N | 26 A |
| Nominal voltage U_N | 320 V |
| Maximum load current | 30 A |
| Insulating material | PA |
| Inflammability class acc. to UL 94 | V2 |
| Internal cylindrical gage | A3 |
| Stripping length | 7 mm |

Connection data

| | |
|--|----------------------|
| Conductor cross section solid min. | 0.2 mm ² |
| Conductor cross section solid max. | 4 mm ² |
| Conductor cross section stranded min. | 0.2 mm ² |
| Conductor cross section stranded max. | 2.5 mm ² |
| Conductor cross section stranded, with ferrule without plastic sleeve min. | 0.25 mm ² |
| Conductor cross section stranded, with ferrule without plastic sleeve max. | 2.5 mm ² |
| Conductor cross section stranded, with ferrule with plastic sleeve min. | 0.25 mm ² |
| Conductor cross section stranded, with ferrule with plastic sleeve max. | 2.5 mm ² |
| Conductor cross section AWG/kcmil min. | 24 |
| Conductor cross section AWG/kcmil max | 12 |

Certificates / Approvals


Certification

CSA, CUL, UL

DMKDS 2,5 Order No.: 1740000

<http://eshop.phoenixcontact.de/phoenix/treeViewClick.do?UID=1740000>

CSA

| | |
|-----------------------|-------|
| Nominal voltage U_N | 300 V |
| Nominal current I_N | 10 A |
| AWG/kcmil | 28-14 |

CUL

| | |
|-----------------------|-------|
| Nominal voltage U_N | 300 V |
| Nominal current I_N | 10 A |
| AWG/kcmil | 30-14 |

UL

| | |
|-----------------------|-------|
| Nominal voltage U_N | 300 V |
| Nominal current I_N | 10 A |
| AWG/kcmil | 30-14 |

Accessories

| Item | Designation | Description |
|-----------------|--------------|--|
| Assembly | | |
| 1740042 | RZ 2,5-DMKDS | Pitch spacer, increases the pitch by 2.5 mm or 2.54 mm, interlocks with terminal block of the same shape |

Marking

| | | |
|---------|-----------------------|---|
| 0804183 | SK 5/3,8:FORTL.ZAHLEN | Marker card, printed horizontally, self-adhesive, 12 identical decades marked 1-10, 11-20 etc. up to 91-(99)100, sufficient for 120 terminal blocks |
|---------|-----------------------|---|

Plug/Adapter

| | | |
|---------|--------|----------------------------|
| 0201744 | MPS-MT | Metal part |
| 0201647 | RPS | Reducing plug, Color: gray |

Tools

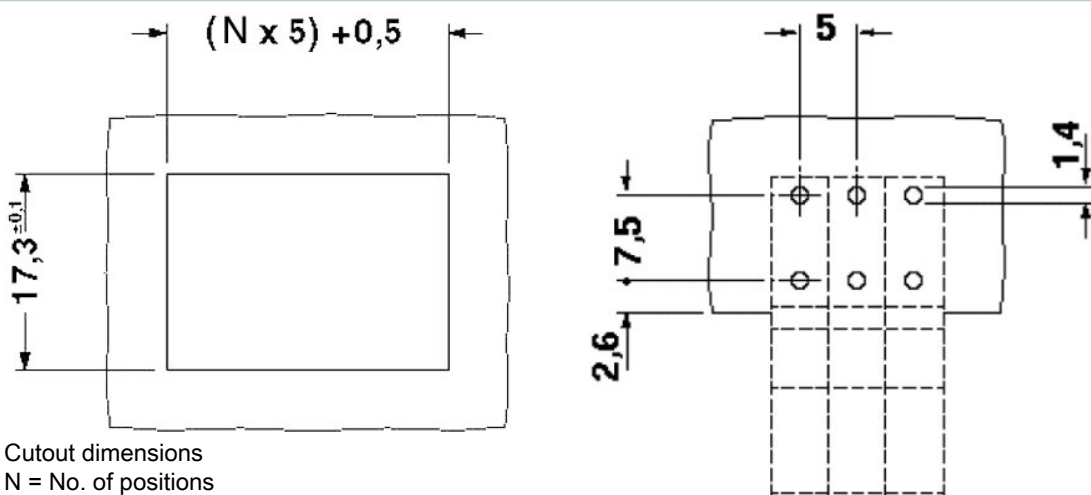
| | | |
|---------|-------------|--|
| 1205053 | SZS 0,6X3,5 | Screwdriver, bladed, matches all screw terminal blocks up to 4.0 mm ² connection cross section, blade: 0.6 x 3.5 mm, without VDE approval |
|---------|-------------|--|

DMKDS 2,5 Order No.: 1740000

<http://eshop.phoenixcontact.de/phoenix/treeViewClick.do?UID=1740000>

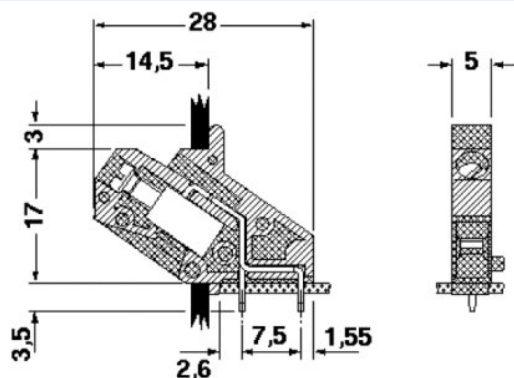
Diagrams/Drawings

Drilling plan/solder pad geometry



Cutout dimensions
 N = No. of positions

Dimensioned drawing



DMKDS 2,5 Order No.: 1740000

<http://eshop.phoenixcontact.de/phoenix/treeViewClick.do?UID=1740000>

Address

PHOENIX CONTACT Deutschland GmbH
Flachsmarktstr. 8
32825 Blomberg, Germany
Phone +49 5235 3 12000
Fax +49 5235 3 41200
<http://www.phoenixcontact.de>



© 2010 Phoenix Contact
Technical modifications reserved;