

Excellent Integrated System Limited

Stocking Distributor

Click to view price, real time Inventory, Delivery & Lifecycle Information:

[Phoenix Contact](#)
[1772706](#)

For any questions, you can email us directly:
sales@integrated-circuit.com



Extract from the online catalog

HC-DS 21 T

Order No.: 1772706



<http://eshop.phoenixcontact.de/phoenix/treeViewClick.do?UID=1772706>

Pressure screws, with flared cable guard, clamping area 13 mm ... 20 mm, for housing with Pg21 support

Commercial data	
EAN	4017918037352
Pack	10 pcs.
Customs tariff	74153300
Weight/Piece	0.04399 KG
Catalog page information	Page 525 (PC-2009)

Product notes

WEEE/RoHS-compliant since:
04/10/2006



<http://www.download.phoenixcontact.com>
 Please note that the data given here has been taken from the online catalog. For comprehensive information and data, please refer to the user documentation. The General Terms and Conditions of Use apply to Internet downloads.

Technical data

General data	
Material, pressure screw	Nickel-plated brass
Thread type on connection side	Pg21
Clamping range of the strain relief clip	13.00 mm ... 20.00 mm

HC-DS 21 T Order No.: 1772706

<http://eshop.phoenixcontact.de/phoenix/treeViewClick.do?UID=1772706>

Certificates / Approvals

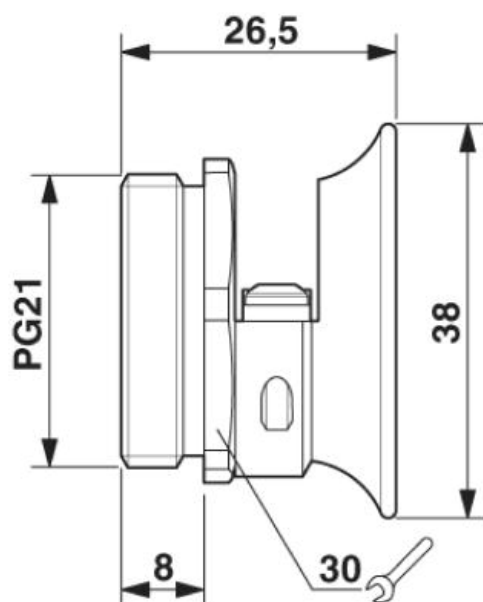


Certification

GOST

Diagrams/Drawings

Dimensioned drawing



HC-DS 21 T Order No.: 1772706

<http://eshop.phoenixcontact.de/phoenix/treeViewClick.do?UID=1772706>

Address

PHOENIX CONTACT Deutschland GmbH
Flachsmarktstr. 8
32825 Blomberg, Germany
Phone +49 5235 3 12000
Fax +49 5235 3 41200
<http://www.phoenixcontact.de>



© 2010 Phoenix Contact
Technical modifications reserved;