

## Excellent Integrated System Limited

Stocking Distributor

Click to view price, real time Inventory, Delivery & Lifecycle Information:

[Phoenix Contact](#)  
[1772719](#)

For any questions, you can email us directly:  
[sales@integrated-circuit.com](mailto:sales@integrated-circuit.com)



Extract from the online catalog

## HC-DS 29 T

Order No.: 1772719



<http://eshop.phoenixcontact.de/phoenix/treeViewClick.do?UID=1772719>

Pressure screws, with flared cable guard, clamping area 20 mm ... 27 mm, for housing with Pg29 support

Commercial data	
EAN	4017918037369
Pack	10 pcs.
Customs tariff	74153300
Weight/Piece	0.08744 KG
Catalog page information	Page 525 (PC-2009)

### Product notes

WEEE/RoHS-compliant since:  
 04/10/2006



<http://www.download.phoenixcontact.com>  
 Please note that the data given here has been taken from the online catalog. For comprehensive information and data, please refer to the user documentation. The General Terms and Conditions of Use apply to Internet downloads.

## Technical data

General data	
Material, pressure screw	Nickel-plated brass
Thread type on connection side	Pg29
Clamping range of the strain relief clip	20.00 mm ... 27.00 mm

HC-DS 29 T Order No.: 1772719

<http://eshop.phoenixcontact.de/phoenix/treeViewClick.do?UID=1772719>

### Certificates / Approvals

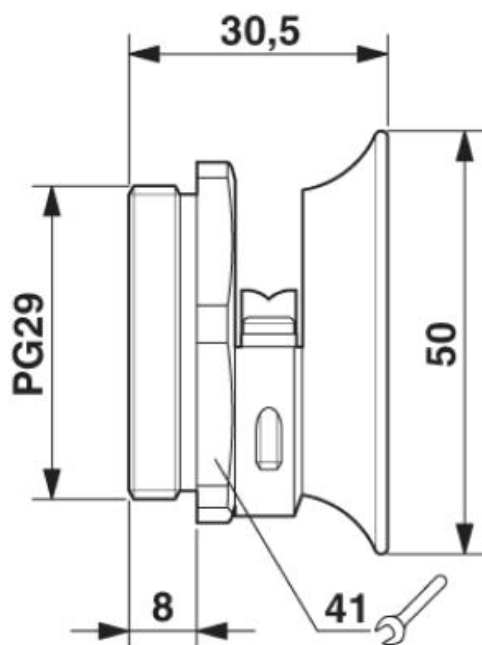


Certification

GOST

### Diagrams/Drawings

Dimensioned drawing



HC-DS 29 T Order No.: 1772719

<http://eshop.phoenixcontact.de/phoenix/treeViewClick.do?UID=1772719>

---

**Address**

PHOENIX CONTACT Deutschland GmbH  
Flachsmarktstr. 8  
32825 Blomberg, Germany  
Phone +49 5235 3 12000  
Fax +49 5235 3 41200  
<http://www.phoenixcontact.de>



© 2010 Phoenix Contact  
Technical modifications reserved;