

Excellent Integrated System Limited

Stocking Distributor

Click to view price, real time Inventory, Delivery & Lifecycle Information:

[Phoenix Contact](#)
[1884568](#)

For any questions, you can email us directly:
sales@integrated-circuit.com



Extract from the online catalog

VC-MP-K1

Order No.: 1884568

The illustration shows versions, powder-coated and EMC-coated coupling housing



<http://eshop.phoenixcontact.de/phoenix/treeViewClick.do?UID=1884568>

Coupling housing, made of metal, powder-coated type 1, number of modules 2, cable screw connection Pg16

Commercial data

EAN	4017918164591
Pack	5 pcs.
Customs tariff	85389099
Weight/Piece	0.36824 KG
Catalog page information	Page 371 (PC-2009)

Product notes

WEEE/RoHS-compliant since:
11/08/2006



<http://www.download.phoenixcontact.com>
Please note that the data given here has been taken from the online catalog. For comprehensive information and data, please refer to the user documentation. The General Terms and Conditions of Use apply to Internet downloads.

Technical data

General characteristics

Note	When using fiber optics, the bending radii of the cable manufacturers must be observed.
Design	VC1
Degree of protection	IP65/IP66/IP67
Type of the screw connection	1x Pg16
Pg screw connection	None

VC-MP-K1 Order No.: 1884568

<http://eshop.phoenixcontact.de/phoenix/treeViewClick.do?UID=1884568>

Height	49 mm
Number of module slots	2
Housing material	Zinc die-cast
Housing surface material	Powder coating
Ambient temperature (operation)	-40 °C ... 125 °C

Accessories

Item	Designation	Description
General		
1885460	VC-M-KV-PG16 1X3/1X9	Multiple screw connection Pg16, made of metal, consisting of rubber seal with several holes (1 x 3 mm/1 x 9 mm) and a pressure screw, for cable screw connection thread VC-M-KV-PG16.....
1885499	VC-M-KV-PG16 1X3/2X8	Multiple screw connection Pg16, made of metal, consisting of rubber seal with several holes (1 x 3 mm/2 x 8 mm) and a pressure screw, for cable screw connection support VC-M-KV-PG16.....
1885509	VC-M-KV-PG16 1X5/2X6	Multiple screw connection Pg16, made of metal, consisting of rubber seal with several holes (1 x 5 mm/2 x 6 mm) and a pressure screw, for cable screw connection support VC-M-KV-PG16.....
1885473	VC-M-KV-PG16 1X6/1X8	Multiple screw connection Pg16, made of metal, consisting of rubber seal with several holes (1 x 6 mm/1 x 8 mm) and a pressure screw, for cable screw connection support VC-M-KV-PG16.....
1885473	VC-M-KV-PG16 1X6/1X8	Multiple screw connection Pg16, made of metal, consisting of rubber seal with several holes (1 x 6 mm/1 x 8 mm) and a pressure screw, for cable screw connection support VC-M-KV-PG16.....
1885512	VC-M-KV-PG16 2X6/1X7	Multiple screw connection Pg16, made of metal, consisting of rubber seal with several holes (2 x 6 mm/1 x 7 mm) and a pressure screw, for cable screw connection support VC-M-KV-PG16.....
1885525	VC-M-KV-PG16 3X7	Multiple screw connection Pg16, made of metal, consisting of rubber seal with several holes (3 x 7 mm) and a pressure screw, for cable screw connection support VC-M-KV-PG16.....
1853942	VC-M-KV-PG16(4- 6,5)	Half screw connection Pg16, made of metal, consisting of rubber seal with one hole and one pressure screw, for type 1 housings, cable [mm] 4 - 6.5
1853955	VC-M-KV-PG16(5- 8)	Half screw connection Pg16, made of metal, consisting of rubber seal with one hole and one pressure screw, for type 1 housings, cable [mm] 5 - 8
1853968	VC-M-KV-PG16(6,5- 9,5)	Half screw connection Pg16, made of metal, consisting of rubber seal with one hole and one pressure screw, for type 1 housings, cable [mm] 6.5 - 9.5

VC-MP-K1 Order No.: 1884568

<http://eshop.phoenixcontact.de/phoenix/treeViewClick.do?UID=1884568>

1853971	VC-M-KV-PG16(7-10,5)	Half screw connection Pg16, made of metal, consisting of rubber seal with one hole and one pressure screw, for type 1 housings, cable [mm] 7 - 10.5
1853984	VC-M-KV-PG16(9-13)	Half screw connection Pg16, made of metal, consisting of rubber seal with one hole and one pressure screw, for type 1 housings, cable [mm] 9 - 13
1854857	VC-M-KV-PG16(11,5-15,5)	Half screw connection Pg16, made of metal, consisting of rubber seal with one hole and one pressure screw, for type 1 housings, cable [mm] 11.5 - 15.5
1854857	VC-M-KV-PG16(11,5-15,5)	Half screw connection Pg16, made of metal, consisting of rubber seal with one hole and one pressure screw, for type 1 housings, cable [mm] 11.5 - 15.5

Marking

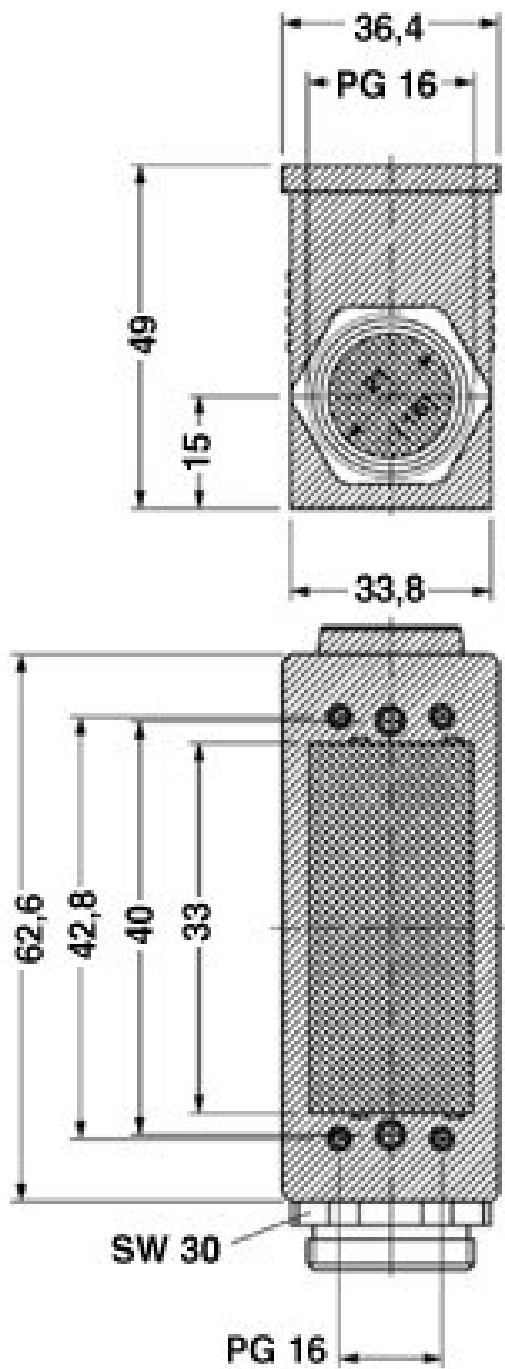
1852875	VC-BZS WH	Marker labels, unprinted, 5-section, for individual labeling with M-PEN or CMS system, white
---------	-----------	--

VC-MP-K1 Order No.: 1884568

<http://eshop.phoenixcontact.de/phoenix/treeViewClick.do?UID=1884568>

Diagrams/Drawings

Dimensioned drawing



VC-MP-K1 Order No.: 1884568

<http://eshop.phoenixcontact.de/phoenix/treeViewClick.do?UID=1884568>

Address

PHOENIX CONTACT Deutschland GmbH
Flachsmarktstr. 8
32825 Blomberg, Germany
Phone +49 5235 3 12000
Fax +49 5235 3 41200
<http://www.phoenixcontact.de>



© 2010 Phoenix Contact
Technical modifications reserved;