

## Excellent Integrated System Limited

Stocking Distributor

Click to view price, real time Inventory, Delivery & Lifecycle Information:

[Phoenix Contact](#)  
[2280255](#)

For any questions, you can email us directly:

[sales@integrated-circuit.com](mailto:sales@integrated-circuit.com)



Extract from the online catalog

## DFLK 26

Order No.: 2280255

The illustration shows a 50-pos. version



<http://eshop.phoenixcontact.de/phoenix/treeViewClick.do?UID=2280255>

VARIOFACE panel feed-through module, for direct coupling of single signal lines of up to 2.5 mm<sup>2</sup> to flat-ribbon cable plug connector, 26-pos.

Commercial data	
EAN	4017918054366
Pack	5 pcs.
Customs tariff	85369010
Weight/Piece	0.08347 KG
Catalog page information	Page 283 (IF-2009)

<http://www.download.phoenixcontact.com>  
 Please note that the data given here has been taken from the online catalog. For comprehensive information and data, please refer to the user documentation. The General Terms and Conditions of Use apply to Internet downloads.

Technical data	
<b>General data</b>	
Nominal voltage U <sub>N</sub>	< 50 V AC 60 V DC
Max. current carrying capacity per branch	1 A
Number of positions	26
Width	39 mm
Height	49 mm
Depth	83.4 mm
Status display	No
Ambient temperature (operation)	-20 °C ... 45 °C

DFLK 26 Order No.: 2280255

<http://eshop.phoenixcontact.de/phoenix/treeViewClick.do?UID=2280255>

Ambient temperature (storage/transport)	-20 °C ... 70 °C
Test voltage	500 V (50 Hz, 1 min.)
Mounting position	Any
Standards/regulations	IEC 60664
	DIN EN 50178
	IEC 62103

**Connection data**

Connection 1	PCB connection
Connection in acc. with standard	IEC / EN
Type of connection	Screw connection
Conductor cross section solid min.	0.2 mm <sup>2</sup>
Conductor cross section solid max.	4 mm <sup>2</sup>
Conductor cross section stranded min.	0.2 mm <sup>2</sup>
Conductor cross section stranded max.	2.5 mm <sup>2</sup>
Conductor cross section AWG/kcmil min.	24
Conductor cross section AWG/kcmil max	12
Stripping length	8 mm
Screw thread	M3
Connection 2	Flat-ribbon cable connector in acc. with IEC 60603-13
Type of connection	Pluggable
Number of positions	26

**Certificates / Approvals**



Certification GOST

**Accessories**

Item	Designation	Description
------	-------------	-------------

**Cable/conductor**

2299385	FLK 26/EZ-DR/ 50/KONFEK	Round cable set, with two 26-pos. socket strips, (1:1 connection), cable length: 0.5 m
2299398	FLK 26/EZ-DR/ 100/KONFEK	Round cable set, with two 26-pos. socket strips (1:1 connection), cable length: 1 m

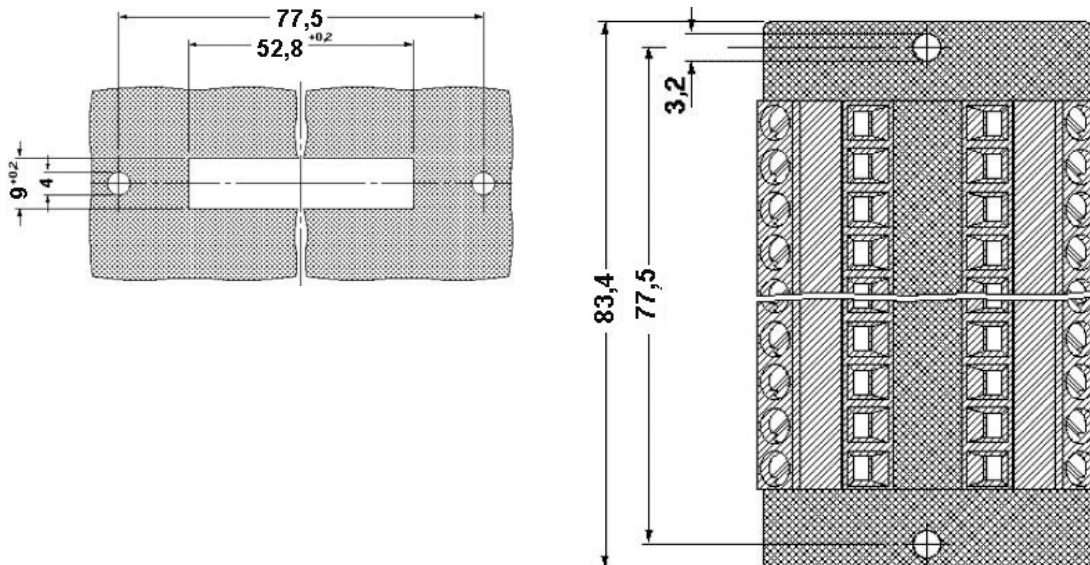
DFLK 26 Order No.: 2280255

<http://eshop.phoenixcontact.de/phoenix/treeViewClick.do?UID=2280255>

2299408	FLK 26/EZ-DR/ 150/KONFEK	Round cable set, with two 26-pos. socket strips (1:1 connection), cable length: 1.5 m
2299424	FLK 26/EZ-DR/ 300/KONFEK	Round cable set, with two 26-pos. socket strips (1:1 connection), cable length: 3 m
2299437	FLK 26/EZ-DR/ 400/KONFEK	Round cable set, with two 26-pos. socket strips (1:1 connection), cable length: 4 m
2299440	FLK 26/EZ-DR/ 600/KONFEK	Round cable set, with two 26-pos. socket strips (1:1 connection), cable length: 6 m
2299453	FLK 26/EZ-DR/ 800/KONFEK	Round cable set, with two 26-pos. socket strips (1:1 connection), cable length: 8 m
2299466	FLK 26/EZ-DR/1000/KONFEK	Round cable set, with two 26-pos. socket strips (1:1 connection), cable length: 10 m
2295059	FLK EZ-DR.../.../...	Round cable, with preassembly, not shielded, variable cable length

### Diagrams/Drawings

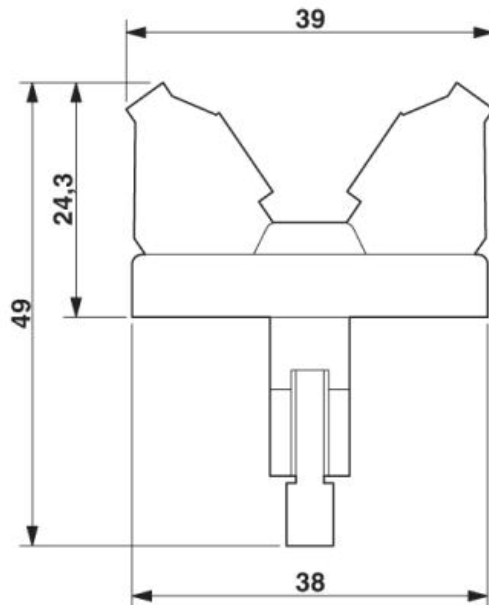
Dimensioned drawing



DFLK 26 Order No.: 2280255

<http://eshop.phoenixcontact.de/phoenix/treeViewClick.do?UID=2280255>

---



DFLK 26 Order No.: 2280255

<http://eshop.phoenixcontact.de/phoenix/treeViewClick.do?UID=2280255>

---

**Address**

PHOENIX CONTACT Inc., USA  
586 Fulling Mill Road  
Middletown, PA 17057, USA  
Phone (800) 888-7388  
Fax (717) 944-1625  
<http://www.phoenixcon.com>



© 2010 Phoenix Contact  
Technical modifications reserved;