



Distributor of Phoenix Contact: Excellent Integrated System Limited
Datasheet of 2761509 - D-Sub Connector Plug, Male Pins 9 Position Free Hanging (In-Line)
Terminal Block

Contact us: sales@integrated-circuit.com Website: www.integrated-circuit.com

Excellent Integrated System Limited

Stocking Distributor

Click to view price, real time Inventory, Delivery & Lifecycle Information:

[Phoenix Contact](#)
[2761509](#)

For any questions, you can email us directly:

sales@integrated-circuit.com



Extract from the online catalog

SUBCON 9/M-SH

Order No.: 2761509



<http://eshop.phoenixcontact.de/phoenix/treeViewClick.do?UID=2761509>

SUB-D connector with one cable entry, 9-pos., male version

Commercial data

EAN	4017918064747
Pack	1 pcs.
Customs tariff	85366990
Weight/Piece	0.0528 KG
Catalog page information	Page 555 (IF-2009)

Product notes

WEEE/RoHS-compliant since:
08/02/2006



<http://www.download.phoenixcontact.com>
Please note that the data given here has been taken from the online catalog. For comprehensive information and data, please refer to the user documentation. The General Terms and Conditions of Use apply to Internet downloads.

Technical data

General data

Nominal voltage U_N	60 V AC/DC
Nominal current I_N	1 A
Insertion/withdrawal cycles	> 200
Max. cable diameter	10 mm
Min. cable diameter	4 mm

SUBCON 9/M-SH Order No.: 2761509
<http://eshop.phoenixcontact.de/phoenix/treeViewClick.do?UID=2761509>

SUBCON fixing screws	4-40 UNC
Tightening torque	0.4 Nm
Ambient temperature (operation)	-20 °C ... 75 °C
Housing material	ABS, metal-plated
Pin assignment	All connections are 1:1 on the screw terminal block
Width	16 mm
Height	44.5 mm
Length	56.4 mm

Connection data

Connection	D-SUB connection
Number of positions	9
Type of connection	D-SUB-9 male connector
Connection	PCB connection
Type of connection	Screw connection
Conductor cross section solid min.	0.14 mm ²
Conductor cross section solid max.	1.5 mm ²
Conductor cross section stranded min.	0.14 mm ²
Conductor cross section stranded max.	1 mm ²
Conductor cross section AWG/kcmil min.	26
Conductor cross section AWG/kcmil max	16
Stripping length	5 mm
Tightening torque	0.4 Nm

Certificates / Approvals



Certification CUL, GOST, UL

Accessories

Item	Designation	Description
2799694	SUBCON-SHORT-SCREW	Optional fixing screw, short (w/o knurl)

Assembly

SUBCON 9/M-SH Order No.: 2761509
<http://eshop.phoenixcontact.de/phoenix/treeViewClick.do?UID=2761509>

Literature

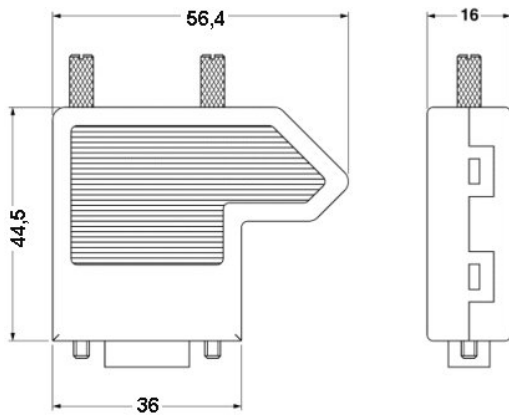
2743792	IBS SYS PRO INST UM	User Manual, German, for project planning and installation of the INTERBUS system, with collection of data sheets
2743802	IBS SYS PRO INST UM E	User Manual, English, for project planning and installation of the INTERBUS system, with collection of data sheets

Tools

1772793	CRIMPFOX-1,6-ER-1,50-GH	Crimping tool, for IBS DSUB.../C
---------	-------------------------	----------------------------------

Diagrams/Drawings

Dimensioned drawing



SUBCON 9/M-SH Order No.: 2761509
<http://eshop.phoenixcontact.de/phoenix/treeViewClick.do?UID=2761509>

Address

PHOENIX CONTACT Deutschland GmbH
Flachsmarktstr. 8
32825 Blomberg, Germany
Phone +49 5235 3 12000
Fax +49 5235 3 41200
<http://www.phoenixcontact.de>



© 2010 Phoenix Contact
Technical modifications reserved;