

## Excellent Integrated System Limited

Stocking Distributor

Click to view price, real time Inventory, Delivery & Lifecycle Information:

[Phoenix Contact](#)  
[2950365](#)

For any questions, you can email us directly:

[sales@integrated-circuit.com](mailto:sales@integrated-circuit.com)



Extract from the online catalog

## EMG 22-RELS/K1

Order No.: 2950365



<http://eshop.phoenixcontact.de/phoenix/treeViewClick.do?UID=2950365>

Relay module, with plug-in base for KAMMRELAIS® size 1, contact: B 104, 2 PDT

Commercial data	
EAN	4017918084028
Pack	10 pcs.
Customs tariff	85364190
Weight/Piece	0.05828 KG
Catalog page information	Page 102 (IF-2002)

### Product notes

WEEE/RoHS-compliant since:  
09/14/2007



<http://www.download.phoenixcontact.com>  
 Please note that the data given here has been taken from the online catalog. For comprehensive information and data, please refer to the user documentation. The General Terms and Conditions of Use apply to Internet downloads.

## Technical data

Connection data	
Conductor cross section solid min.	0.2 mm <sup>2</sup>
Conductor cross section solid max.	4 mm <sup>2</sup>

EMG 22-RELS/K1 Order No.: 2950365

<http://eshop.phoenixcontact.de/phoenix/treeViewClick.do?UID=2950365>

Conductor cross section stranded min.	0.2 mm <sup>2</sup>
Conductor cross section stranded max.	2.5 mm <sup>2</sup>
Conductor cross section AWG/kcmil min.	24
Conductor cross section AWG/kcmil max	12
Type of connection	Screw connection
Stripping length	8 mm
Screw thread	M3

**General data**

Width	22.5 mm
Height	82.5 mm
Depth	75 mm
Color	green
Insulating material	PC-F
Ambient temperature (operation)	-20 °C ... 50 °C
Ambient temperature (storage/transport)	-20 °C ... 70 °C
Standards/regulations	DIN VDE 0110b, Gr. C for 250 V DC
	DIN VDE 0160 (in relevant parts)
Mounting position	Any
Assembly instructions	In rows with zero spacing

**Certificates / Approvals**



Certification GOST

**Accessories**

Item	Designation	Description
------	-------------	-------------

**Marking**

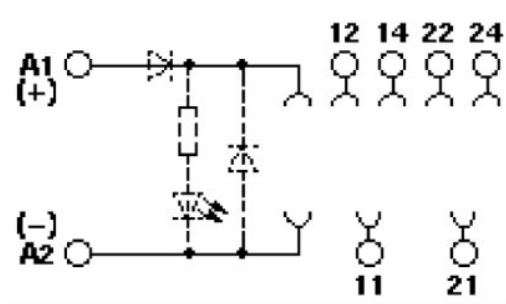
2947035	EMG-GKS 12	Equipment marker, width 12 mm
---------	------------	-------------------------------

EMG 22-RELS/K1 Order No.: 2950365

<http://eshop.phoenixcontact.de/phoenix/treeViewClick.do?UID=2950365>

### Diagrams/Drawings

Circuit diagram



EMG 22-RELS/K1 Order No.: 2950365

<http://eshop.phoenixcontact.de/phoenix/treeViewClick.do?UID=2950365>

---

**Address**

PHOENIX CONTACT Inc., USA  
586 Fulling Mill Road  
Middletown, PA 17057, USA  
Phone (800) 888-7388  
Fax (717) 944-1625  
<http://www.phoenixcon.com>



© 2010 Phoenix Contact  
Technical modifications reserved;