

Excellent Integrated System Limited

Stocking Distributor

Click to view price, real time Inventory, Delivery & Lifecycle Information:

[Phoenix Contact](#)
[2952305](#)

For any questions, you can email us directly:

sales@integrated-circuit.com



Extract from the online catalog

EMG 22-LED 7S/24

Order No.: 2952305

The illustration shows version EMG 22-LED 7S/ 5



<http://eshop.phoenixcontact.de/phoenix/treeViewClick.do?UID=2952305>

Indicator module, with 7 red LEDs and common return line, input voltage 24 V DC

Commercial data	
EAN	4017918084400
Pack	10 pcs.
Customs tariff	85318095
Weight/Piece	0.05253 KG
Catalog page information	Page 666 (IF-2009)

Product notes

WEEE/RoHS-compliant since:
05/11/2006



<http://www.download.phoenixcontact.com>
 Please note that the data given here has been taken from the online catalog. For comprehensive information and data, please refer to the user documentation. The General Terms and Conditions of Use apply to Internet downloads.

Technical data

General data	
Input voltage	24 V DC
Current required per light indicator	Approx. 3 mA
Status display	7 LEDs
Width	22.5 mm
Height	47.5 mm

EMG 22-LED 7S/24 Order No.: 2952305

<http://eshop.phoenixcontact.de/phoenix/treeViewClick.do?UID=2952305>

Depth	75 mm
Ambient temperature (operation)	-20 °C ... 45 °C
Ambient temperature (storage/transport)	-40 °C ... 60 °C
Mounting position	Any
Assembly instructions	In rows with zero spacing

Connection data

Conductor cross section solid min.	0.2 mm ²
Conductor cross section solid max.	4 mm ²
Conductor cross section stranded min.	0.2 mm ²
Conductor cross section stranded max.	2.5 mm ²
Conductor cross section AWG/kcmil min.	24
Conductor cross section AWG/kcmil max	12
Stripping length	8 mm
Screw thread	M3
Type of connection	Screw connection

Certificates / Approvals



Certification GOST

Accessories

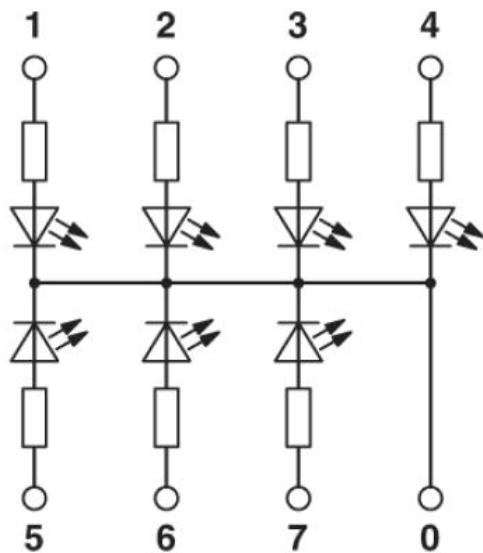
Item	Designation	Description
Marking		
2947035	EMG-GKS 12	Equipment marker, width 12 mm

EMG 22-LED 7S/24 Order No.: 2952305

<http://eshop.phoenixcontact.de/phoenix/treeViewClick.do?UID=2952305>

Diagrams/Drawings

Circuit diagram



EMG 22-LED 7S/24 Order No.: 2952305

<http://eshop.phoenixcontact.de/phoenix/treeViewClick.do?UID=2952305>

Address

PHOENIX CONTACT Inc., USA
586 Fulling Mill Road
Middletown, PA 17057, USA
Phone (800) 888-7388
Fax (717) 944-1625
<http://www.phoenixcon.com>



© 2010 Phoenix Contact
Technical modifications reserved;