

## Excellent Integrated System Limited

Stocking Distributor

Click to view price, real time Inventory, Delivery & Lifecycle Information:

[Phoenix Contact](#)  
[5022656](#)

For any questions, you can email us directly:

[sales@integrated-circuit.com](mailto:sales@integrated-circuit.com)



Extract from the online catalog

## AP 3-TU

Order No.: 5022656



<http://eshop.phoenixcontact.de/phoenix/treeViewClick.do?UID=5022656>

Cover profile carrier for mounting on NS 32 or NS 35/7,5 DIN rail for attaching the cover profile AP 3.2 mm thick

### Commercial data

EAN	4017918095253
Pack	50 pcs.
Customs tariff	39162000
Weight/Piece	0.009444 KG
Catalog page information	Page 703 (CL-2009)

### Product notes

WEEE/RoHS-compliant since:  
01/01/2003



<http://www.download.phoenixcontact.com>  
Please note that the data given here has been taken from the online catalog. For comprehensive information and data, please refer to the user documentation. The General Terms and Conditions of Use apply to Internet downloads.

### Technical data

#### General

Length (b)	89 mm
Height	80 mm
Width (a)	2.1 mm
Color	gray
Inflammability class acc. to UL 94	V2

AP 3-TU Order No.: 5022656

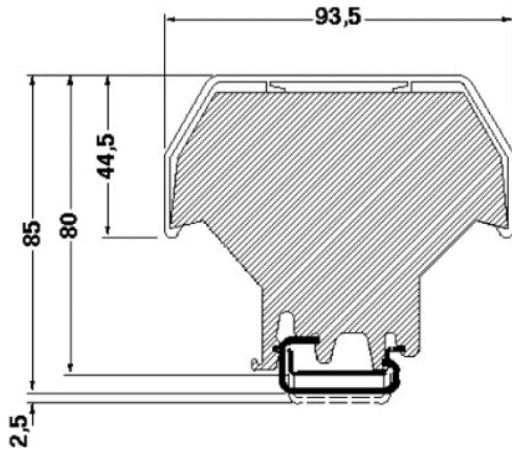
<http://eshop.phoenixcontact.de/phoenix/treeViewClick.do?UID=5022656>

Material

PA

### Diagrams/Drawings

Dimensioned drawing



AP 3-TU Order No.: 5022656

<http://eshop.phoenixcontact.de/phoenix/treeViewClick.do?UID=5022656>

---

**Address**

PHOENIX CONTACT Inc., USA  
586 Fulling Mill Road  
Middletown, PA 17057, USA  
Phone (800) 888-7388  
Fax (717) 944-1625  
<http://www.phoenixcon.com>



© 2010 Phoenix Contact  
Technical modifications reserved;