

Excellent Integrated System Limited

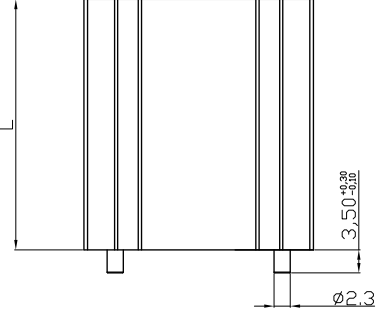
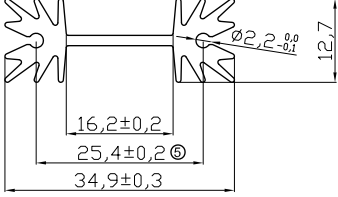
Stocking Distributor

Click to view price, real time Inventory, Delivery & Lifecycle Information:

[ASSMANN WSW Components](#)
[V7477Z2](#)

For any questions, you can email us directly:

sales@integrated-circuit.com

	1	2	3	4	5	6	7																																																																																	
A	RoHS compliant																																																																																							
B																																																																																								
C																																																																																								
D																																																																																								
E							<p>Material : AL 6063-T5 BL-005 Pin : Brass Tin plated Finish : Black anodized Unmarked round angle R is 5mm.</p>																																																																																	
F							<table border="1"> <thead> <tr> <th>Option</th> <th>L</th> <th>Thermal resistance(K/W)</th> </tr> </thead> <tbody> <tr> <td>V7477W2</td> <td>25.4</td> <td>14</td> </tr> <tr> <td>V7477X2</td> <td>38.1</td> <td>11</td> </tr> <tr> <td>V7477Y2</td> <td>50.8</td> <td>9</td> </tr> <tr> <td>V7477Z2</td> <td>63.5</td> <td>7</td> </tr> </tbody> </table>		Option	L	Thermal resistance(K/W)	V7477W2	25.4	14	V7477X2	38.1	11	V7477Y2	50.8	9	V7477Z2	63.5	7																																																																	
Option	L	Thermal resistance(K/W)																																																																																						
V7477W2	25.4	14																																																																																						
V7477X2	38.1	11																																																																																						
V7477Y2	50.8	9																																																																																						
V7477Z2	63.5	7																																																																																						
G							<table border="1"> <thead> <tr> <th>Scale</th> <th>FREE</th> <th></th> <th></th> <th></th> <th>Date</th> <th>Name</th> <th>Customer-No.</th> </tr> </thead> <tbody> <tr> <td>TOLERANCE</td> <td></td> <td>⑤</td> <td>Modify Dimentlon</td> <td>09.05.2011</td> <td>Jason</td> <td>Drawn</td> <td>08.02.2005</td> <td>A.Menk</td> </tr> <tr> <td>X.</td> <td>±X</td> <td>④</td> <td>Modify Dimentlon</td> <td>20.07.2010</td> <td>Alex</td> <td>Approved</td> <td>09.05.2011</td> <td>Andy</td> </tr> <tr> <td>X.X</td> <td>±X</td> <td>③</td> <td>Modify Drawing layout</td> <td>10.03.2010</td> <td>Alex</td> <td></td> <td></td> <td></td> </tr> <tr> <td>UNIT</td> <td>±0.2</td> <td>②</td> <td>Redraw</td> <td>11.08.2009</td> <td>Dean</td> <td></td> <td></td> <td></td> </tr> <tr> <td>DIM</td> <td>TOL</td> <td>①</td> <td>Drawn</td> <td>08.02.2005</td> <td>A.Menk</td> <td></td> <td></td> <td></td> </tr> <tr> <td>X.°</td> <td>±X°</td> <td></td> <td></td> <td></td> <td></td> <td></td> <td></td> <td></td> </tr> <tr> <td>X.X°</td> <td>±X°</td> <td></td> <td></td> <td></td> <td></td> <td></td> <td></td> <td></td> </tr> <tr> <td>Angle</td> <td>TOL</td> <td>Id.</td> <td>Modification</td> <td>Date</td> <td>Name</td> <td></td> <td></td> <td></td> </tr> </tbody> </table>		Scale	FREE				Date	Name	Customer-No.	TOLERANCE		⑤	Modify Dimentlon	09.05.2011	Jason	Drawn	08.02.2005	A.Menk	X.	±X	④	Modify Dimentlon	20.07.2010	Alex	Approved	09.05.2011	Andy	X.X	±X	③	Modify Drawing layout	10.03.2010	Alex				UNIT	±0.2	②	Redraw	11.08.2009	Dean				DIM	TOL	①	Drawn	08.02.2005	A.Menk				X.°	±X°								X.X°	±X°								Angle	TOL	Id.	Modification	Date	Name			
Scale	FREE				Date	Name	Customer-No.																																																																																	
TOLERANCE		⑤	Modify Dimentlon	09.05.2011	Jason	Drawn	08.02.2005	A.Menk																																																																																
X.	±X	④	Modify Dimentlon	20.07.2010	Alex	Approved	09.05.2011	Andy																																																																																
X.X	±X	③	Modify Drawing layout	10.03.2010	Alex																																																																																			
UNIT	±0.2	②	Redraw	11.08.2009	Dean																																																																																			
DIM	TOL	①	Drawn	08.02.2005	A.Menk																																																																																			
X.°	±X°																																																																																							
X.X°	±X°																																																																																							
Angle	TOL	Id.	Modification	Date	Name																																																																																			
H							<table border="1"> <thead> <tr> <th>ASSMANN</th> <th>ASS 0574 HS</th> <th>rev05</th> </tr> </thead> <tbody> <tr> <td>WSW components</td> <td>Replace</td> <td>Sheet</td> </tr> </tbody> </table>		ASSMANN	ASS 0574 HS	rev05	WSW components	Replace	Sheet																																																																										
ASSMANN	ASS 0574 HS	rev05																																																																																						
WSW components	Replace	Sheet																																																																																						
	1	2	3	4	5	6	7																																																																																	