

Excellent Integrated System Limited

Stocking Distributor

Click to view price, real time Inventory, Delivery & Lifecycle Information:

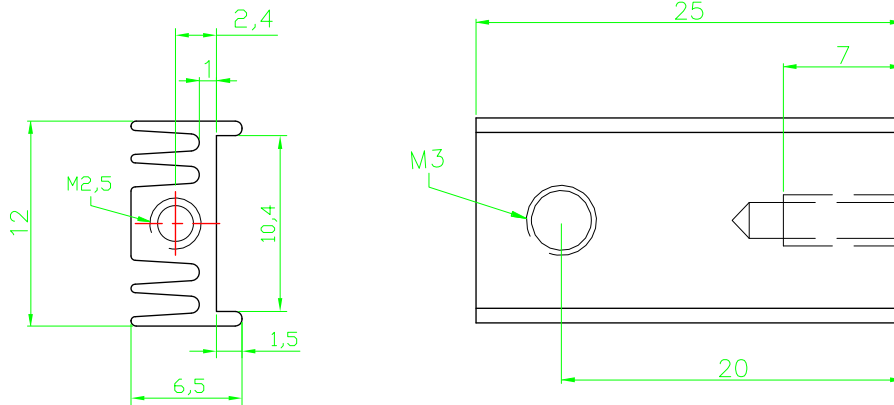
[ASSMANN WSW Components](#)

[V5629G](#)

For any questions, you can email us directly:

sales@integrated-circuit.com

RoHS compliant



Scale	1:1					Date	Name	Customer-No.	
TOLERANCE						Drawn	07.09.2006	Storb	
X.						Approved	10.03.2010	Andy	
X.X								ASSMANN WSW-No.	
X.XX		③	Modify drawing layout	10.03.2010	Alex			V5629G	
DIM	TOL	②	Update	11.08.2009	Dean			Drawing-No.	
X.°		①	Drawn Drawn	07.09.2006	Storb			ASS 0620 HS	rev03
Angle	TOL	Id.	Modification	Date	Name			Replace	Sheet

1

2

3

4

5

6

7