

## Excellent Integrated System Limited

Stocking Distributor

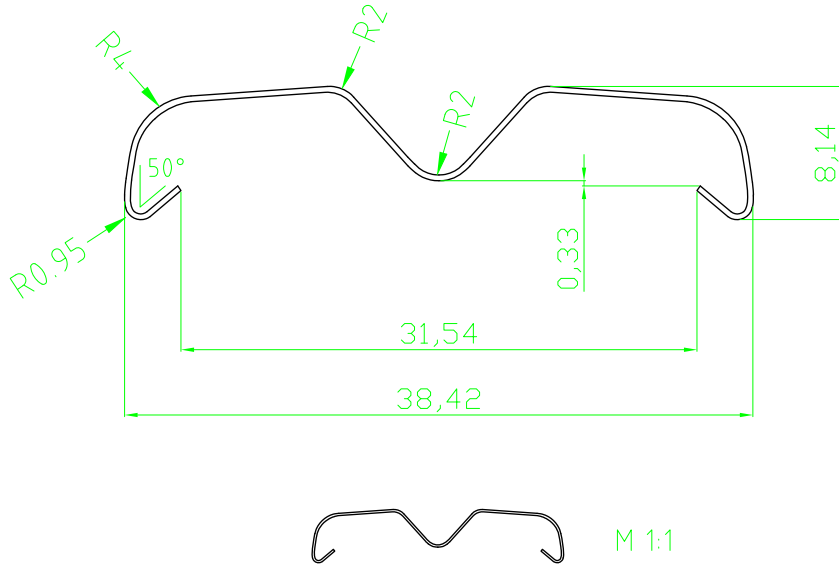
Click to view price, real time Inventory, Delivery & Lifecycle Information:


[ASSMANN WSW Components](#)  
[V03HK](#)

For any questions, you can email us directly:

[sales@integrated-circuit.com](mailto:sales@integrated-circuit.com)

RoHS compliant



Scale	1:1					Date	Name	Customer-No.
TOLERANCE						Drawn	11.08.2009	Dean
UNIT	±XX					Approved	10.03.2010	Andy
								ASSMANN WSW-No. <b>V03HK</b>
DIM	TOL	②	Modify drawing layout	10.03.2010	Dean			Drawing-No.
Angle	±X	①	Drawn	11.08.2009	Dean			ASS 0407 HS
			Id.	Modification	Date	Name		Replace
								Sheet

1

2

3

4

5

6

7