

Excellent Integrated System Limited

Stocking Distributor

Click to view price, real time Inventory, Delivery & Lifecycle Information:

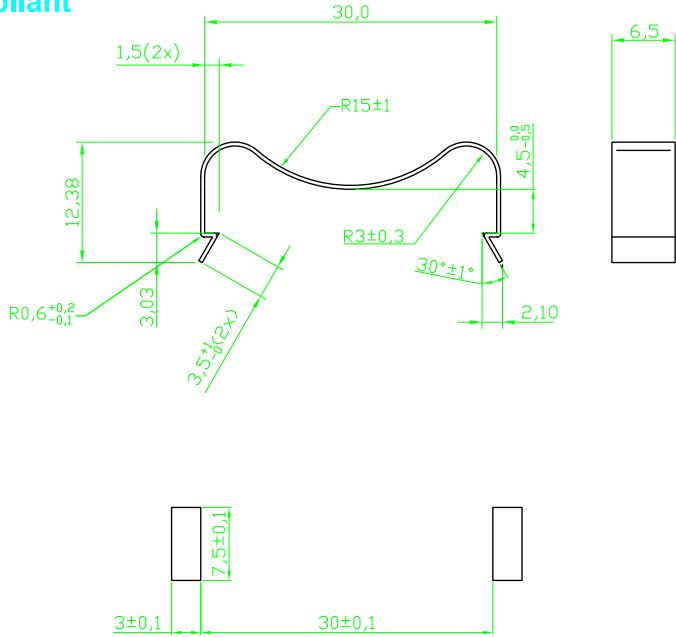
[ASSMANN WSW Components](#)

[V22HK](#)

For any questions, you can email us directly:

sales@integrated-circuit.com

RoHS compliant



Material :SUS 301 0.4T X 6.5W
Finished: CLEAN

Scale	1:1					Date	Name	Customer-No.
TOLERANCE						Drawn	11.08.2009	Dean
UNIT	±0.3					Approved	10.03.2010	Andy
								ASSMANN WSW-No. V22HK
DIM	TOL	②	Modify drawing layout	10.03.2010	Alex	Drawing-No.		
Angle	±X	①	Drawn	11.08.2009	Dean	ASS 0890 HS		rev02
		Id.	Modification	Date	Name	Replace		Sheet



1

2

3

4

5

6

7