

Excellent Integrated System Limited

Stocking Distributor

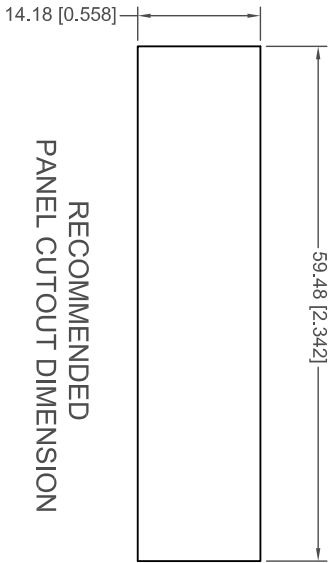
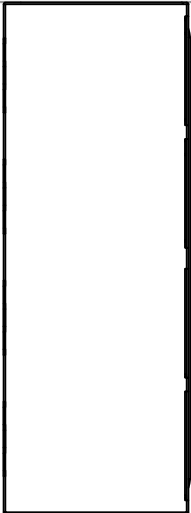
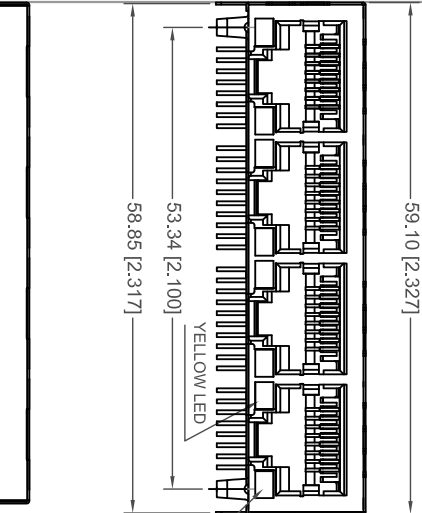
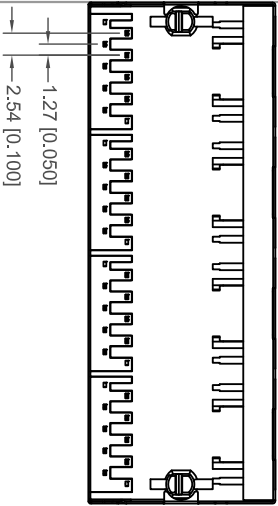
Click to view price, real time Inventory, Delivery & Lifecycle Information:

[EDAC Inc.](#)
[A63-143-313P161](#)

For any questions, you can email us directly:
sales@integrated-circuit.com



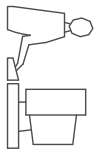
THIS SERIES FULLY CONFORMS TO THE
 EUROPEAN UNION DIRECTIVES 2002/95/EC
 AND 2002/96/EC FOR ROHS COMPLIANCY.



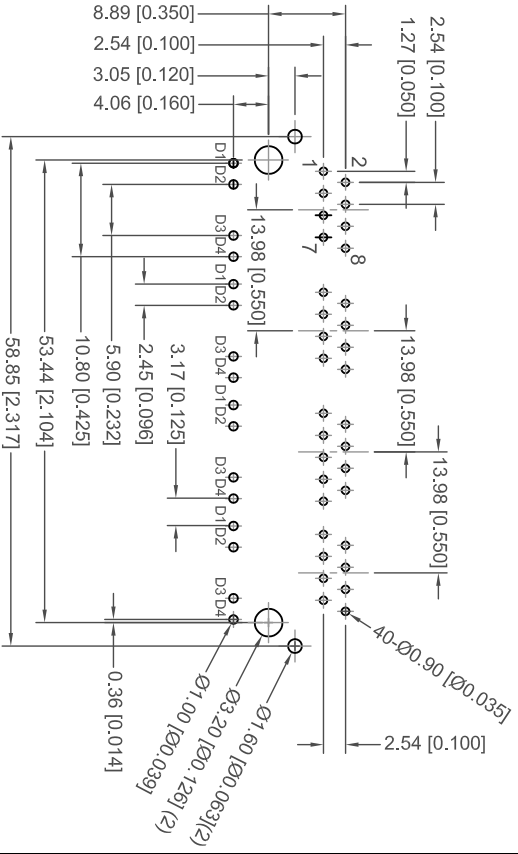
TOLERANCE UNLESS OTHERWISE SPECIFIED IN MM:

0	±0.50	ANGLE	3°
0.0	±0.38		
0.00	±0.25		
0.000	±0.10		

THIS IS A C.A.D. GENERATED DRAWING
 DO NOT MAKE MANUAL REVISIONS TO MASTER.



ISSUE NUMBER
 ORIGINAL (1)



RECOMMENDED P.C.B. LAYOUT
 TOLERANCE: ±0.05[±0.002]

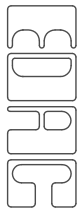
- NOTES:
1. MATERIALS:
 HOUSING: PBT WITH GLASS FIBER, UL94 V-0, COLOR: BLACK
 CONTACTS: 0.30MM PHOSPHOR BRONZE PLATED WITH GOLD PLATING AND TIN IN SOLDER AREA
 OVER 50U" NICKEL PLATING ALL OVER

- | | |
|-----------------|-------------------------|
| PART NO | GOLD PLATING THICKNESS |
| A63-142-313P161 | GOLD FLASH PLATING |
| A63-143-313P161 | 15 MICRO INCHES OF GOLD |
| A63-144-313P161 | 30 MICRO INCHES OF GOLD |
2. SHIELD: 0.25MM COPPER ALLOY WITH NICKEL PLATING
 3. OPERATING TEMPERATURE: 0°C TO +70°C
 4. MATE WITH MODULAR PLUG CONFORMING TO FCC PART 68, SUBPART F.
 5. DIMENSION: MM [INCHES]

**4 PORT, RJ45 MAGNETIC JACK WITH LED, 8P, 8C
 SHIELDED/10/100 Mbps FILTER**

EDAC INC
 TORONTO, ONTARIO
 CANADA

THESE DRAWINGS AND SPECIFICATIONS ARE THE PROPERTY OF EDAC INC. AND SHALL NOT BE REPRODUCED OR COPIED OR USED AS THE BASIS FOR THE MANUFACTURE OR SALE OF APPARATUS WITHOUT WRITTEN PERMISSION.



ACAD REFERENCE NO.: A63-143-313P161	
DRAWN: R.STA.MONICA	DATE: NOV.19/2010
CHECKED:	DATE:
PART NUMBER	SHEET 1 OF 2
DRAWING NUMBER	ISSUE
A63-142-313P161	1

ELECTRICAL CIRCUIT:

TOLERANCE UNLESS OTHERWISE SPECIFIED IN MM:	ANGLE
±0.50	3°
±0.38	
0.00	
±0.25	
0.000	
±0.10	

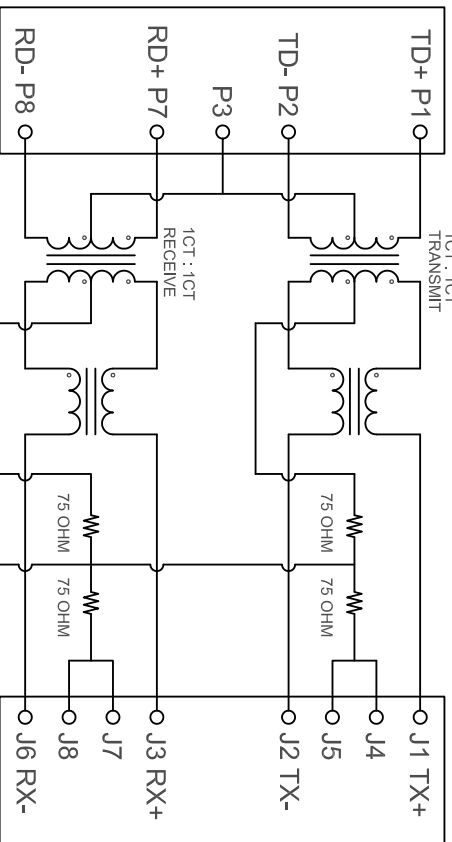
THIS IS A C.A.D. GENERATED DRAWING
DO NOT MAKE MANUAL REVISIONS TO MASTER.



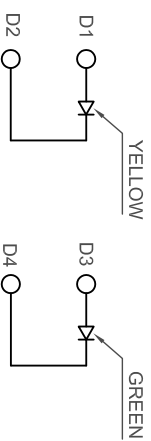
ISSUE NUMBER
ORIGINAL
①

CONNECTOR SOLDER SIDE

RJ45 CONTACT SIDE



LED CIRCUIT:



Color	Lens Color	Vf(V) @20mA	Iv(mcd) @10mA	Viewing angle
		Min	Min	Ø 1/2
Yellow	Yellow Diffused	1.7	2.8	116
Green	Green Diffused	1.7	2.8	116

TEST NOTES:(25±5°C)

- 1.TR:(100KHZ,0.1V);
- PINS:(P1-P2):(J1-J2)=1:1±3%
- PINS:(P7-P8):(J3-J6)=1:1±3%
- 2.LX:(100KHZ,100mV,8mA, DC Bias)
PINS: (P1,P2),(P7,P8)=350UH MINIMUM
- 3.DCR:
PINS:(J1-J2),(J3-J6)= 1.2 OHMS MAXIMUM
- 4.HIPOT:
PINS(P1,P3,P2)TO(J1,J2)=1500VAC FOR 2 SECONDS
PINS(P7,P3,P8)TO(J3,J6)=1500VAC FOR 2 SECONDS
- 5.INSERTION LOSS:
-1.0DB MAXIMUM AT 1MHZ TO 100MHZ;
- 6.RETURN LOSS:
-20DB MINIMUM AT 1MHZ TO 30MHZ;
-15DB MINIMUM AT 30MHZ TO 60MHZ
-10DB MINIMUM AT 60MHZ TO 80MHZ
- 7.CROSS TALK:
-30DB MINIMUM AT 1MHZ TO 100MHZ
- 8.COMMON TO COMMON MODE REJECTION:
-30DB MINIMUM AT 1MHZ TO 100MHZ

**4 PORT, RJ45 MAGNETIC JACK WITH LED, 8P, 8C
SHIELDED/10/100 Mbps FILTER**

ACAD REFERENCE NO.: A63-143-313P161	
DRAWN: R.STA.MONICA	DATE: NOV.19/2010
CHECKED:	DATE:
PART NUMBER	SHEET 2 OF 2
SEE NOTE	ISSUE
DRAWING NUMBER	1
A63-142-313P161	



THIS SERIES FULLY CONFORMS TO THE
EUROPEAN UNION DIRECTIVES 2002/95/EC
AND 2002/96/EC FOR ROHS COMPLIANCY.



EDAC INC
TORONTO, ONTARIO
CANADA

YOUR CONNECTION TO QUALITY & SERVICE

THESE DRAWINGS AND SPECIFICATIONS
ARE THE PROPERTY OF EDAC INC. AND
SHALL NOT BE REPRODUCED OR COPIED
OR USED AS THE BASIS FOR THE
MANUFACTURE OR SALE OF APPARATUS
WITHOUT WRITTEN PERMISSION.