

Excellent Integrated System Limited

Stocking Distributor

Click to view price, real time Inventory, Delivery & Lifecycle Information:

[Pulse Electronics Corporation](#)

[P0420T](#)

For any questions, you can email us directly:

sales@integrated-circuit.com

SMT COMMON MODE CHOKES

1.22A to 14.0A



- Solutions based on impedance, size and current
- Designed for DC/DC converters
- Wide variety of inductor sizes and current ratings available
- Dielectric strength: 1000V_{RMS}

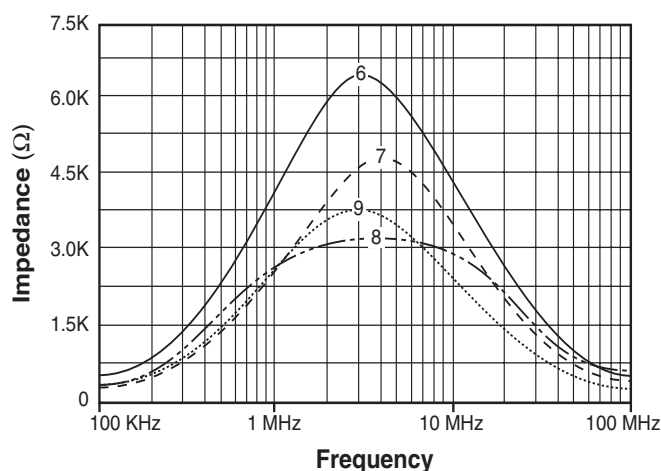
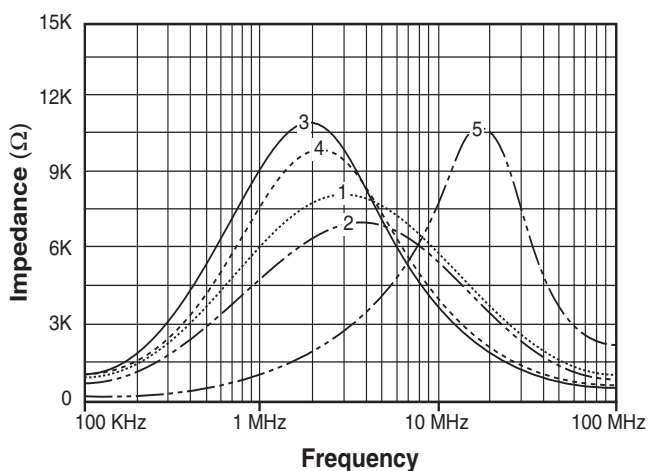
Electrical Specifications @ 25°C — Operating Temperature -40°C to +120°C³

Part ^{1,2} Number	Inductance (mH ±35%)	I _{rated} (A)	DCR (MAX) (mΩ)	Curve (see # below)	Package	Weight (Grams)	Quantity In Tube	Quantity In Reel
P0502	0.47	14.0	8	9	Big Foot	14.8	15	75
P0469	0.63	11.6	10	7	Big Foot	14.3	20	75
P0429	0.81	9.70	14	6	Big Foot	13.5	20	75
P0527	0.53	7.20	15	8	HCCI-68	7.7	15	100
P0353	0.59	5.60	21	7	LCCI-50	5.2	30	200
P0422	0.77	4.70	40	6	LCCI-50	4.9	30	200
P0421	0.22	3.30	60	5	LCCI-50	4.7	30	200
P0420	1.32	3.30	60	4	LCCI-50	4.6	30	200
P0351	1.47	2.80	80	3	LCCI-50	4.3	30	200
P0473	0.88	1.63	110	2	Polecat	1.5	40	500
P0354	1.17	1.22	200	1	Polecat	1.4	40	500

NOTE:

- Optional Tape & Reel packaging can be ordered by adding a "T" suffix to the part number (i.e. P0502 becomes P0502T). Pulse complies to industry standard tape and reel specification EIA481.
- To order RoHS compliant part, add the suffix "NL" to the part number (i.e. P0502 becomes P0502NL and P0502T becomes P0502NL^T).
- The temperature of the component (ambient plus temperature rise) must be within the stated operating temperature range.

Impedance Curves



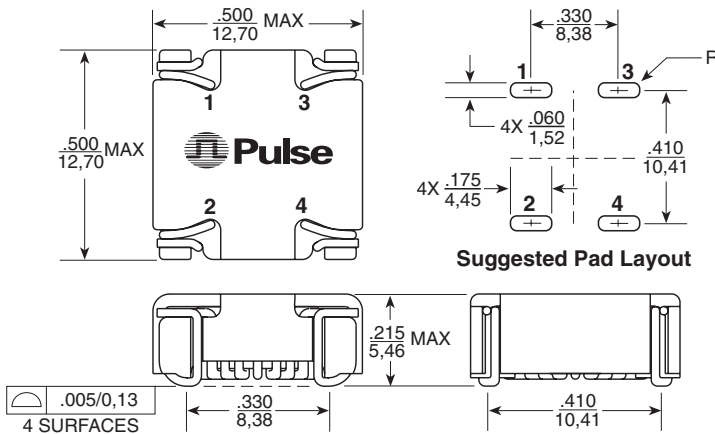
SMT COMMON MODE CHOKES

1.22A to 14.0A

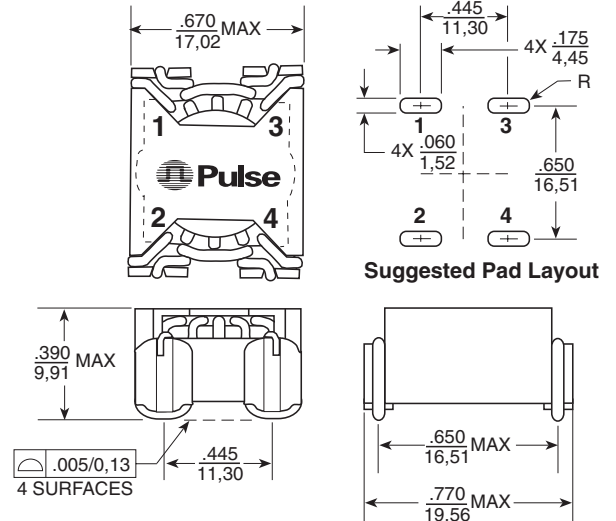


Mechanicals

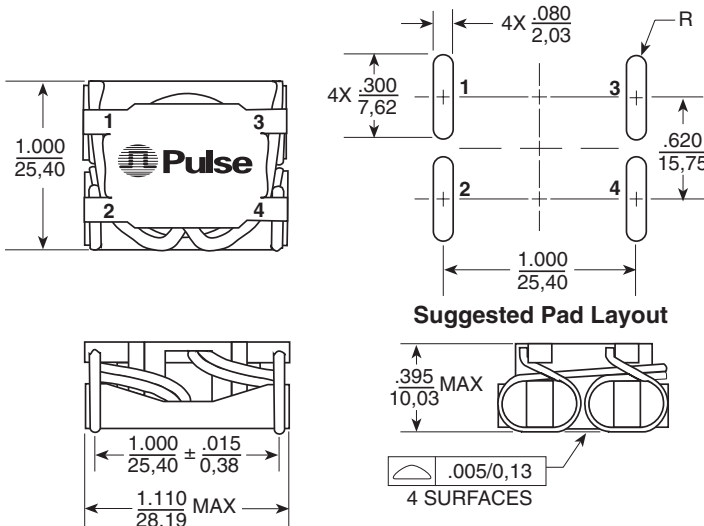
Polecat



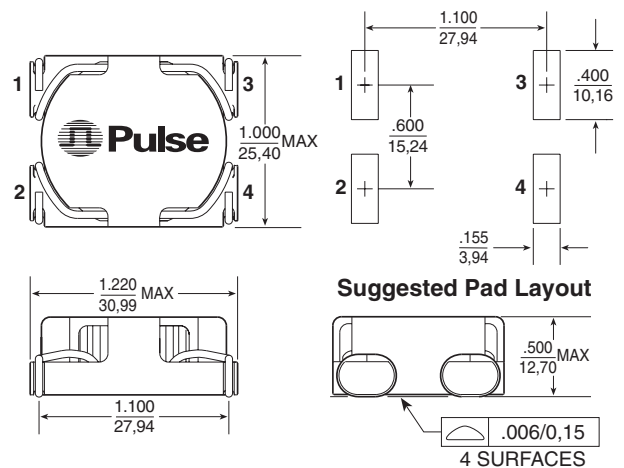
LCCI-50



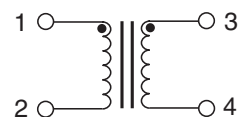
HCCI-68



Big Foot



Schematic



Dimensions: $\frac{\text{Inches}}{\text{mm}}$

Unless otherwise specified, all tolerances are $\pm \frac{.005}{0,13}$