

Excellent Integrated System Limited

Stocking Distributor

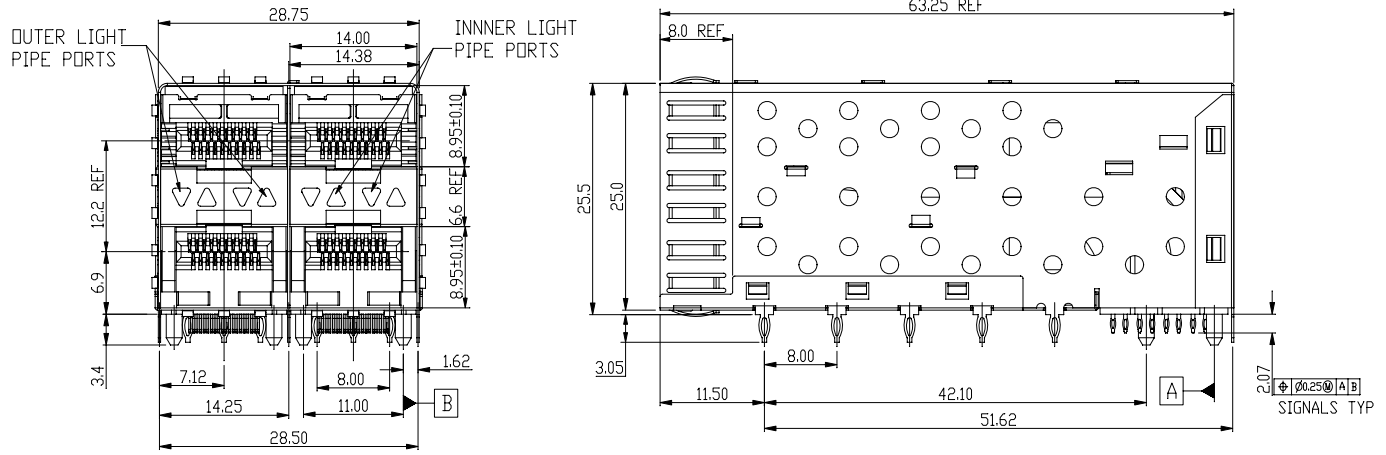
Click to view price, real time Inventory, Delivery & Lifecycle Information:

[Pulse Electronics Corporation](#)

[SFP0-3030-L](#)

For any questions, you can email us directly:

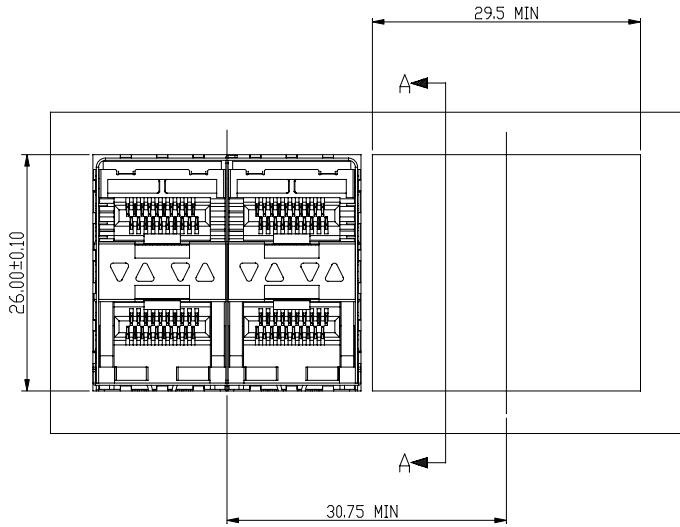
sales@integrated-circuit.com



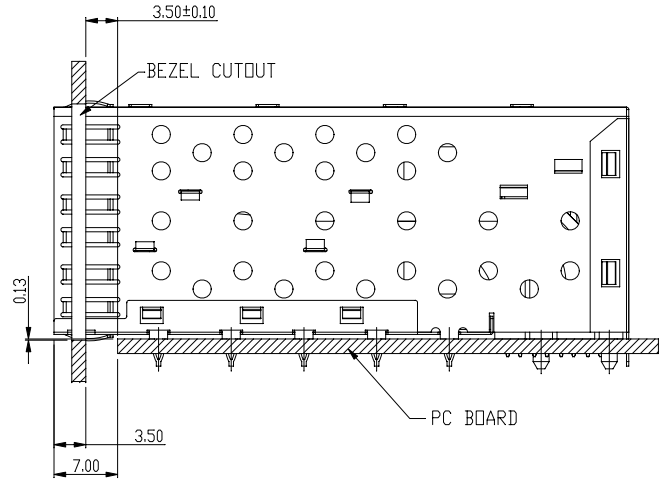
Qty Per:	TRAY	CARTON
	12	72
PART NUMBER	STATEMENT	
SFP0-3030-L	INNER/OUTER LIGHT PIPES	
No.	Q'ty	MATERIAL
01 SFP CAGE (Non-Logo)	1	COPPER ALLOY
02 CONNECTOR	2	HIGH TEMP/COPPER ALLOY
03 LIGHT PIPES	2	POLYCARBONITE
		PLATING
		GOLD

TOLERANCES EXCEPT AS NOTED MM .01 ± 0.025 .02 ± 0.02 .05 ± 0.10 ANGLES ± 0.5	RoHS Compliant	
	TITLE: SFP 2 BY 2 CAGE+CONNECTOR_P W/LIGHT PIPES	
THIRD ANGLE PROJECTION	DFTD Jack DATE 6/09/10'	DRAWING NO. CSFP0-3030-L /PART NO. SFP0-3030-L
DO NOT SCALE DRAWING	SCALE: 2:1	SIZE: A3 REV: 2
		SHEET 1 OF 4

8 | 7 | 6 | 5 | 4 | 3 | 2 | 1



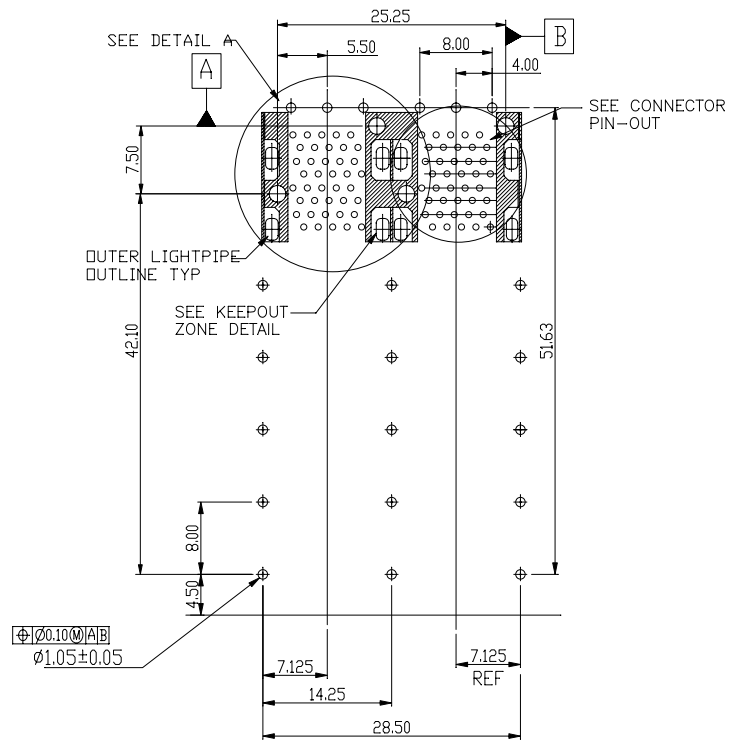
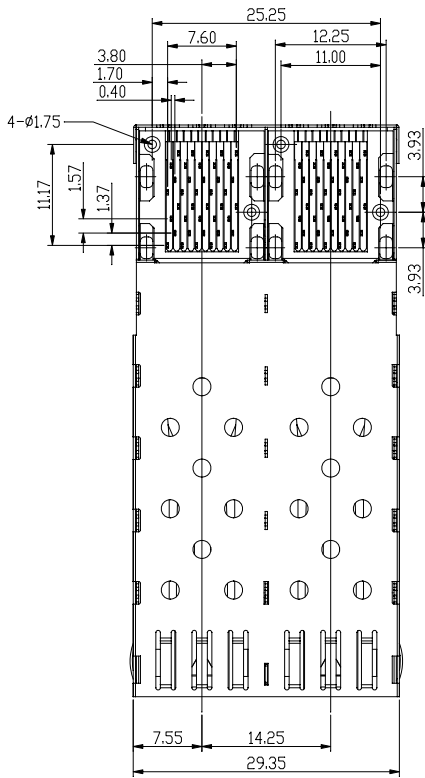
BEZEL CUT-OUT CENTER SPACING DETAIL
BEZEL THICKNESS:0.8-2.6



SECTION A-A

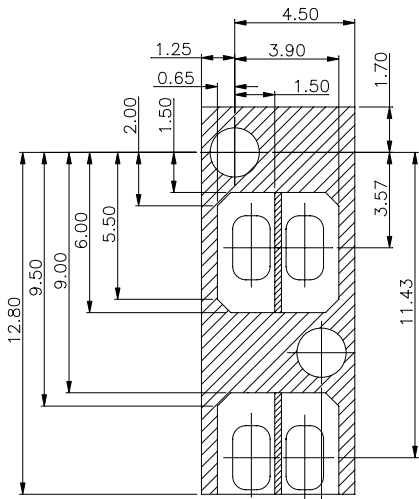
← MM (INCH) → TOLERANCES EXCEPT AS NOTED MM .3 ± 0.25 ± .50 ± 0.2 ± .000 ± 0.10 ± ANGLES ± 0.5 THIRD ANGLE PROJECTION		RoHS Compliant	 Pulse A TECHNOLOGICAL COMPANY
TITLE: SFP 2 BY 2 CAGE+CONNECTOR_P DATE 6/09/10 SCALE: 2:1		W/LIGHT PIPES DRAWING NO: CSFP0-3030-L /PART NO: SFP0-3030-L DD NDT SCALE DRAWING	
DFTD Jack DATE 6/09/10 SCALE: 2:1		SIZE A3	REV 2 SHEET 2 OF 4

8 | 7 | 6 | 5 | 4 | 3 | 2 | 1

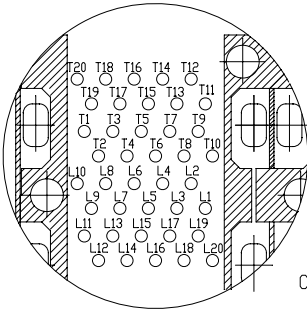


MM (INCH) TOLERANCES EXCEPT AS NOTED MM .0 ± 0.25 ± .01 ± 0.02 ± .000 ± 0.010 ± ANGLES ± 0.5 THIRD ANGLE PROJECTION		RoHS Compliant	
TITLE SFP 2 BY 2 CAGE+CONNECTOR_P		W/LIGHT PIPES	
DFTD Jack DATE 6/09/10	DRAWING NO. CSFP0-3030-L PART NO. SFP0-3030-L	SIZE A3	REV 2
SCALE: 2:1	DD NOT SCALE DRAWING	SHEET 3	OF 4

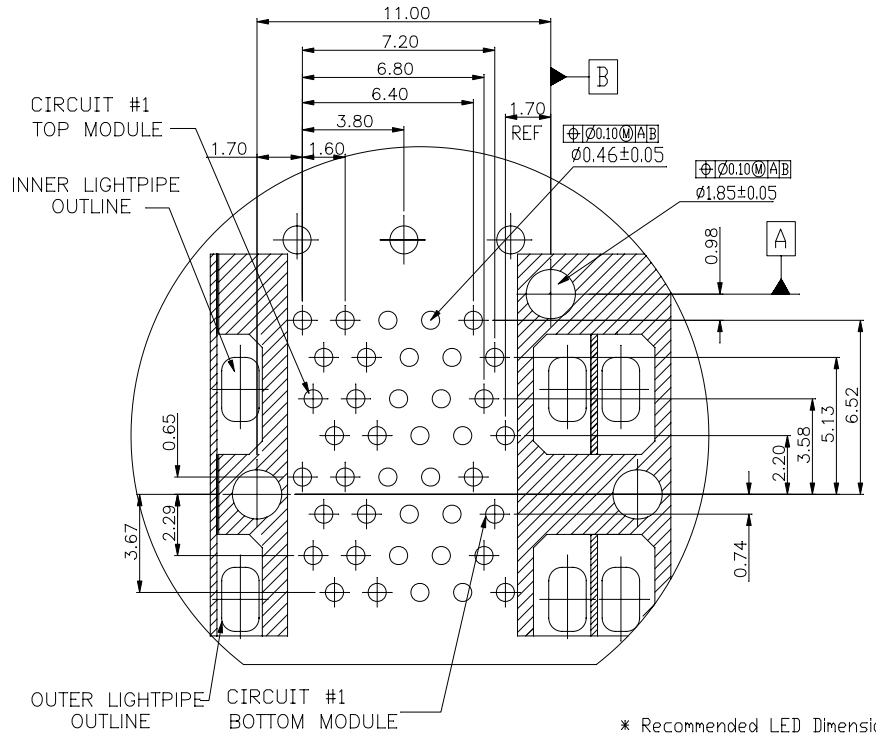
8 | 7 | 6 | 5 | 4 | 3 | 2 | 1



KEEPOUT ZONE DETAIL
SCALE 6:1



CONNECTOR PIN-OUT
COMPONENT SIDE OF BOARD



DETAIL A
SCALE 6:1

* Recommended LED Dimensions
Dimensions (WxLxH):
0.5x1.0x0.5 mm
0.8x1.6x0.5 mm
1.25x2.0x0.8 mm
1.25x1.6x0.65 mm

TOLERANCES EXCEPT AS NOTED MM .0 ± 0.25 .00 ± 0.2 .000 ± 0.10 ANGLES ± 0.5		TITLE SFP 2 BY 2 CAGE+CONNECTOR_P W/LIGHT PIPES	
I/F TO Jack DATE 6/09/10 SCALE : 2:1	DRAWING NO. CSFP0-3030-L /PART NO. SFP0-3030-L	SIZE A3	REV 2
THIRD ANGLE PROJECTION		DO NOT SCALE DRAWING	SHEET 4 OF 4

8

7

6

5

4

3

2

1