

## **Excellent Integrated System Limited**

Stocking Distributor

Click to view price, real time Inventory, Delivery & Lifecycle Information:

[Honeywell Sensing and Productivity Solutions](#)  
[YZLN-2-RH](#)

For any questions, you can email us directly:  
[sales@integrated-circuit.com](mailto:sales@integrated-circuit.com)



**MICRO SWITCH**

A DIVISION OF MINNEAPOLIS-HONEYWELL REGULATOR COMPANY  
 ROSSFORD, NEWARK, N.J. 07102  
 FED. MFR. CODE 91929

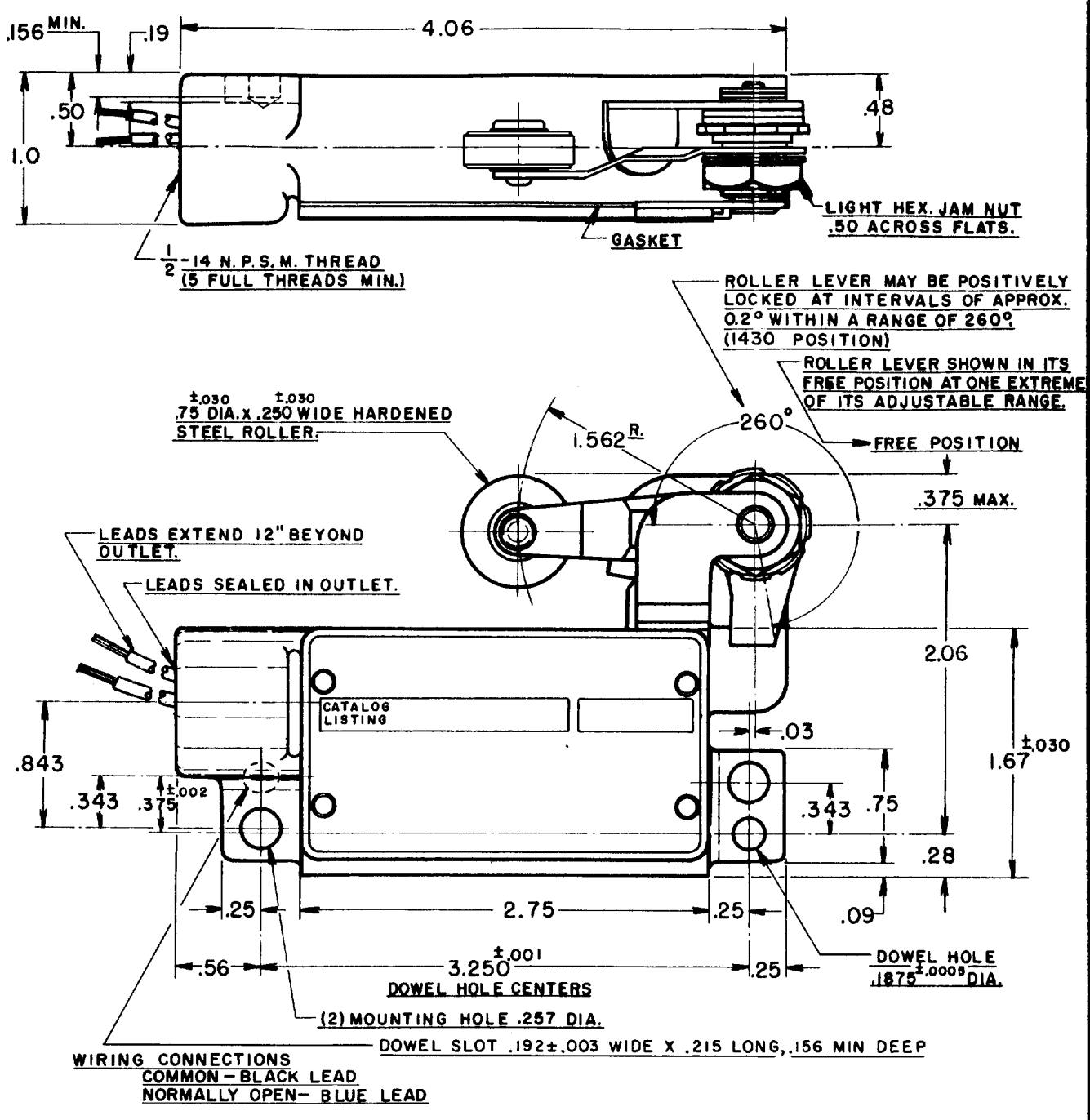
**SWITCH - ENCLOSED**

CATALOG LISTING  
**YZLN-2-RH**

5

YZLN-2-RH  
 M  
 DRAWING NUMBER  
 12  
 ISSUE

REVISIONS  
 A CO 8520 R.E.R. 19 OCT. 58  
 B CO18546 V.D.F. 14 NOV 63  
 C CO11950 D.A.W. 27 OCT 64  
 D CO21551 W.E.G. 10 JUNE 66  
 E CO50714 30 APR 82  
 F CO55988 M.A.M. 31 OCT 84  
 G CO81513B J.A.K. 13 MAR 97  
 CHECK G.C.M. 24 OCT. 56  
 CHECK G.C.M. 19 OCT. 56  
 FORMTEK DRAWN



THIS DRAWING COVERS A PROPRIETARY ITEM AND IS THE PROPERTY OF MICRO SWITCH, A DIVISION OF HONEYWELL. THIS DRAWING IS NOT TO BE COPIED, OR USED WITHOUT THE APPROVAL OF MICRO SWITCH.

CHARACTERISTICS	
OPERATING FORCE	----- 3 LB. MAX.
RELEASE FORCE	----- 1/4 LB. MIN.
PRETRAVEL	----- (3°) .078 MAX.
DIFFERENTIAL TRAVEL	----- (1/2°) .014 MAX.
OVERTRAVEL	----- (17°) .469 MIN.

ELECTRICAL DATA	
CONTACT ARRANGEMENT S. P. N. O.	
-L96-	15 A-125, 250, OR 480 VAC 1/2 A-125 VDC; 1/4 A-250 VDC 1/8 HP-125 VAC; 1/4 HP-250 VAC

SCALE FULL	
DO NOT SCALE PRINT	
UNLESS OTHERWISE SPECIFIED	
DIMENSIONS ARE IN INCHES	
TOLERANCES ARE:	
ONE PLACE (.0)	±.030
TWO PLACE (.00)	±.015
THREE PLACE (.000)	±.008
ANGLES	±
WEIGHT .085 LB. PLUS LEADS	

RJ