

Excellent Integrated System Limited

Stocking Distributor

Click to view price, real time Inventory, Delivery & Lifecycle Information:

[Honeywell Sensing and Productivity Solutions](#)
[102ML1-E1](#)

For any questions, you can email us directly:

sales@integrated-circuit.com

MICRO SWITCH

A DIVISION OF MINNEAPOLIS-HONEYWELL REGULATOR COMPANY
 PERU, ILLINOIS

SWITCH - ENCLOSED

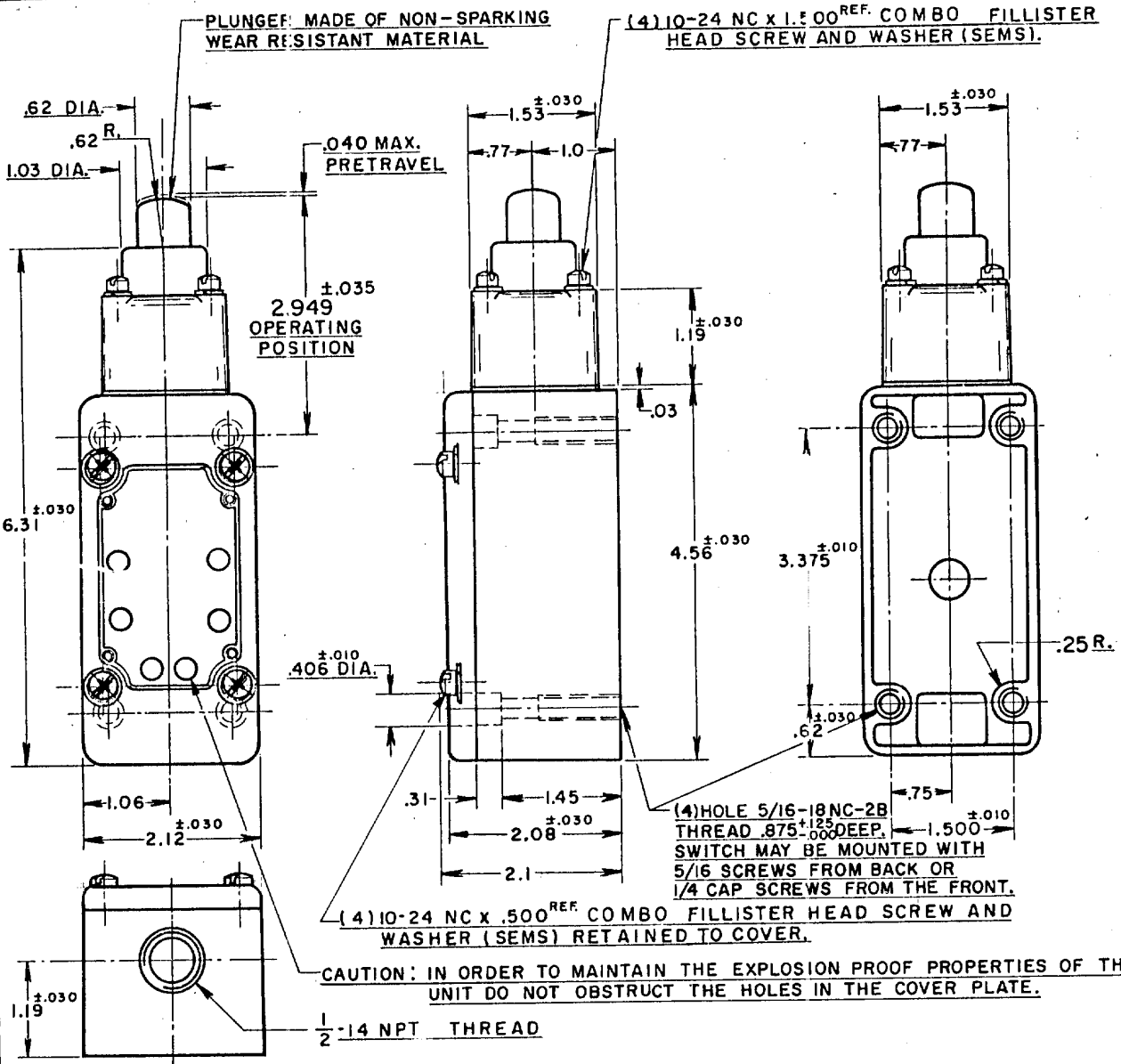
102ML1-E1



FED. MFR. CODE 91929

THIS DRAWING COVERS A PROPRIETARY ITEM AND IS THE PROPERTY OF MICRO SWITCH, A DIVISION OF HONEYWELL. THIS DRAWING IS NOT TO BE COPIED OR USED WITHOUT THE APPROVAL OF MICRO SWITCH.

REPLACES: RELEASE NO. SR 7257
 CHECK: EPL 8 FEB 58
 CHECK: JWM 7 FEB 58
 CHECK: JCH 14 FEB 58
 CHECK: R. E. R. 5 FEB 58
 DRAWN: P. R. 93
 10-50378



NOTE -

- 1-LISTED BY UNDERWRITERS LABORATORY, INC. FOR USE IN CLASS 1 GROUPS C AND D VAPOR-AIR ATMOSPHERES, AND CLASS 2 GROUPS E, F AND G DUST-AIR ATMOSPHERES
- 2-IT IS ESSENTIAL THAT THE CONDUIT OPENING BE PROPERLY SEALED IN ORDER TO MAINTAIN THE EXPLOSION PROOF PROPERTIES.
- 3-SWITCH WILL PERFORM SATISFACTORILY IN TEMPERATURES TO MINUS 30°F.

CHARACTERISTICS (TENTATIVE) OPERATING FORCE ----- 6 LB. APPROX. RELEASE FORCE ----- 4 LB. APPROX. DIFFERENTIAL TRAVEL ----- .020 MAX. OVERTRAVEL ----- .500 MIN. SWITCH-BASIC REPLACEMENT ----- 1MNI	ELECTRICAL DATA CONTACT ARRANGEMENT TWO CIRCUIT DOUBLE THROW DOUBLE BREAK	SCALE 1/2 TO 1 DO NOT SCALE PRINT UNLESS OTHERWISE SPECIFIED DIMENSIONS ARE IN INCHES TOLERANCES ARE: ONE PLACE (.0) ±.030 TWO PLACE (.00) ±.015 THREE PLACE (.000) ±.005 ANGLES ±
	10 A-120, 240, OR 480 VAC, 1/2 HP - 120 VAC 1 HP - 240 VAC; 0.8 A - 115 VDC; 0.4 A - 230 VDC PILOT DUTY: 720 VA-HEAVY DUTY 600 VAC MAX	