

Excellent Integrated System Limited

Stocking Distributor

Click to view price, real time Inventory, Delivery & Lifecycle Information:

[Honeywell Sensing and Productivity Solutions
38HM20](#)

For any questions, you can email us directly:

sales@integrated-circuit.com

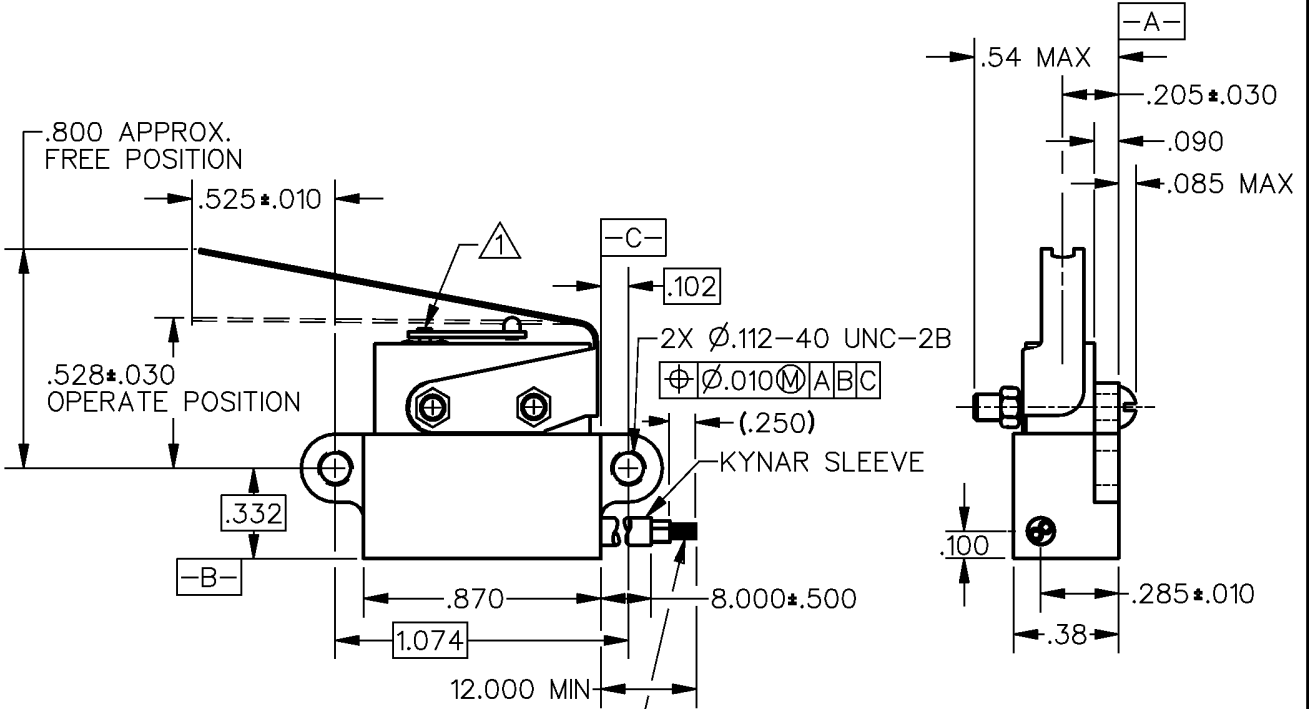


MICRO SWITCH
 a Honeywell Division
 FED. MFG. CODE 91929

SWITCH ASSEMBLY

CATALOG LISTING
38HM20

CATALOG LISTING
38HM20
 PAGE 1 OF 1
 ISSUE **M**
 10



- NOTES**
- ADJUSTMENT CAUTION: DO NOT ALLOW ACTUATOR LEAF TO COME IN CONTACT WITH HM LEVER TO PREVENT SWITCH SEAL DAMAGE
 - ASSEMBLY INCLUDES: "20HM" TYPE BASIC SWITCH AND JS TYPE ACTUATOR
 - ALL EXPOSED PARTS ARE OF CORROSION RESISTANT MATERIALS
 - GOLD ALLOY STATIONARY CONTACTS AND 24K GOLD MOVABLE CONTACT
 - FOR USE IN TEMPERATURE RANGE -300°F TO +350°F

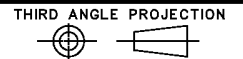
REVISIONS

A	PR-20776	TSM	10 NOV 93
B	CO-84436	LJK	15 MAR 97
C	CO-94220	DLT	25 MAR 99
D	0000107	TSM	3 APR 03
E	0079652	SBH	22 JUL 11

CHECK S A V 12 NOV 93

RASTER DRAWN

THIS DRAWING COVERS A PROPRIETARY ITEM AND IS THE PROPERTY OF MICRO SWITCH, A DIVISION OF HONEYWELL. THIS DRAWING IS NOT TO BE COPIED OR USED WITHOUT THE APPROVAL OF MICRO SWITCH.



CHARACTERISTICS	ELECTRICAL DATA	SCALE 1.5:1	DO NOT SCALE PRINT
OPERATING FORCE — — — — — 6 OZ MAX	CONTACT ARRANGEMENT S P N O	UNLESS OTHERWISE SPECIFIED TOLERANCES ARE	
RELEASE FORCE — — — — — 1 OZ MIN	28 VOLTS DC RATING		
DIFFERENTIAL TRAVEL — — — .120 MAX	INDUCTIVE — — — SEA LEVEL — — — 1/4 AMP	ONE PLACE (.0) ± .030	
OVERTRAVEL — — — — — .120 MIN	RESISTIVE — — — SEA LEVEL — — — 1/2 AMP	TWO PLACE (.00) ± .015	
		THREE PLACE (.000) ± .005	
		ANGLES ±	
		WEIGHT .80 OZ MAX	