

Excellent Integrated System Limited

Stocking Distributor

Click to view price, real time Inventory, Delivery & Lifecycle Information:

[Honeywell Sensing and Productivity Solutions
38HM10](#)

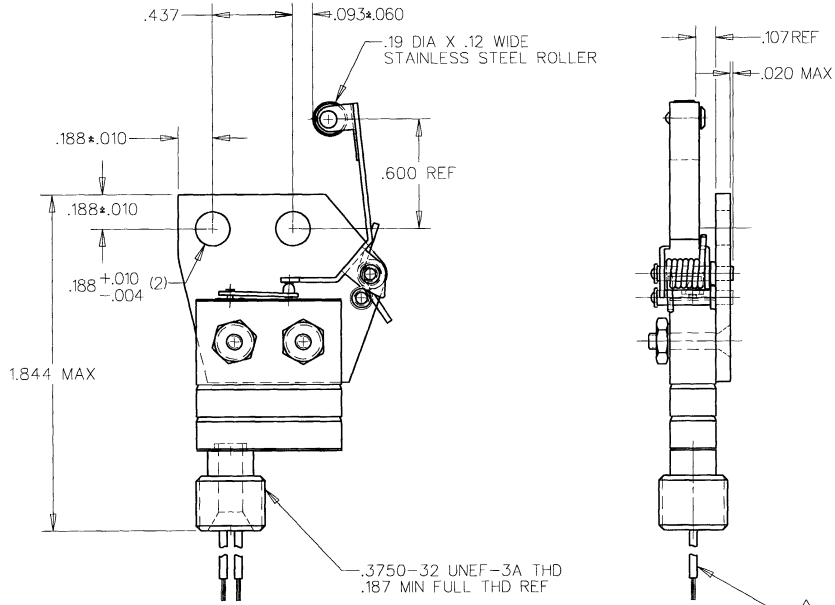
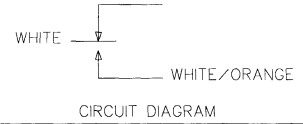
For any questions, you can email us directly:

sales@integrated-circuit.com

MICRO SWITCH
 a Honeywell Division
 FED. WFG. CODE 91929

SWITCH-BASIC

CATALOG LISTING
38HM10



CATALOG LISTING
38HM10
 PAGE 1 OF 1
M
 ISSUE 5
 REVISIONS:
 A 069973
 18 MAR 91
 B 202458
 27 FEB 01
 RAFTER
 DRAWN T.S.M. 18 MAR 91
 CHECKED M.A.M. 25 MAR 91

THIS DRAWING COVERS A PROPRIETARY ITEM AND IS THE PROPERTY OF MICRO SWITCH, A DIVISION OF HONEYWELL. THIS DRAWING IS NOT TO BE COPIED OR USED WITHOUT THE APPROVAL OF MICRO SWITCH

THIRD ANGLE PROJECTION



CHARACTERISTICS

OPERATING FORCE	3 LBS MAX
RELEASE FORCE	6 OZ MIN
PRETRAVEL	.012 MIN
DIFFERENTIAL TRAVEL	.030 MAX
OVERTRAVEL	.050 MIN

ELECTRICAL DATA

CONTACT ARRANGEMENT S P N O	
28 VOLTS DC RATING	
INDUCTIVE	SEA LEVEL --- 1/4 AMP 70,000 FT --- 1/4 AMP
RESISTIVE	SEA LEVEL --- 1 AMP 70,000 FT --- 1 AMP

DO NOT SCALE PRINT

UNLESS OTHERWISE SPECIFIED TOLERANCES ARE

ONE PLACE	(.01)	±.030
TWO PLACE	(.00)	±.015
THREE PLACE	(.000)	±.005
ANGLES		±

- NOTES
- 1 - UNIT INCLUDES 8HM102 BASIC SWITCH
 - 2 - SWITCH HERMETICALLY SEALED PER MIL-S-8805, SYMBOL 5
 - 3 - ALL EXPOSED PARTS ARE CORROSION RESISTANT MATERIALS OR SURFACE TREATED
- △ LEADWIRE PER MIL-W-22759/10-20 AND 36 INCHES LONG REF