

Excellent Integrated System Limited

Stocking Distributor

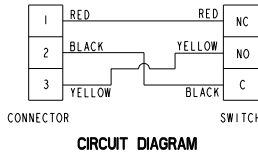
Click to view price, real time Inventory, Delivery & Lifecycle Information:

[Honeywell Sensing and Productivity Solutions](#)
[38HM45](#)

For any questions, you can email us directly:

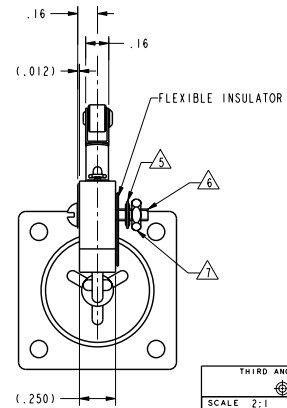
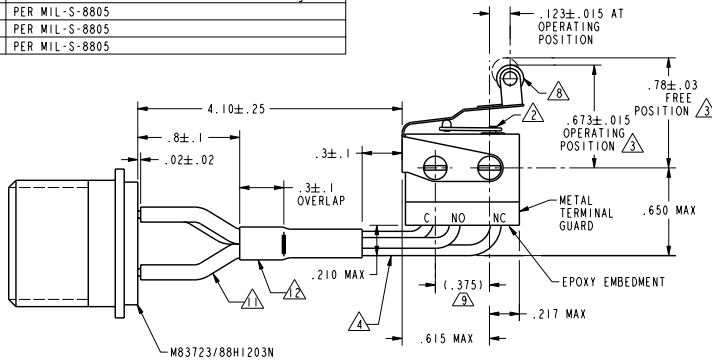
sales@integrated-circuit.com

SPECIFICATION DETAILS:																	
STANDARD:	▲																
CONSTRUCTION:	HERMETIC SEAL																
ENCLOSURE DESIGN	SILVER																
CONTACT MATERIAL & CONFIGURATION	SEE CIRCUIT DIAGRAM																
CIRCUIT CONFIGURATION	SEE DRAWING																
TERMINATION	SEE DRAWING																
WEIGHT																	
EXPOSED METALS	CORROSION RESISTANT STAINLESS STEEL																
ELECTRICAL CHARACTERISTICS:																	
CONTACT ARRANGEMENT	S.P.N.C.																
ELECTRICAL RATINGS	<table border="1"> <thead> <tr> <th>LOAD</th> <th>SEA LEVEL</th> <th>400 CPS</th> <th>70,000 FT</th> </tr> </thead> <tbody> <tr> <td>RESISTIVE</td> <td>28 VDC</td> <td>115 VAC</td> <td>28 VDC</td> </tr> <tr> <td>INDUCTIVE</td> <td>4 AMP</td> <td>2 AMP</td> <td>4 AMP</td> </tr> <tr> <td>LAMP</td> <td>1 AMP</td> <td>.5 AMP</td> <td>1 AMP</td> </tr> </tbody> </table>	LOAD	SEA LEVEL	400 CPS	70,000 FT	RESISTIVE	28 VDC	115 VAC	28 VDC	INDUCTIVE	4 AMP	2 AMP	4 AMP	LAMP	1 AMP	.5 AMP	1 AMP
LOAD	SEA LEVEL	400 CPS	70,000 FT														
RESISTIVE	28 VDC	115 VAC	28 VDC														
INDUCTIVE	4 AMP	2 AMP	4 AMP														
LAMP	1 AMP	.5 AMP	1 AMP														
DIELECTRIC STRENGTH & INSULATION RES (BASIC SWITCH)	<table border="1"> <thead> <tr> <th>DIELECTRIC STRENGTH</th> <th>INSULATION RESISTANCE</th> </tr> </thead> <tbody> <tr> <td>(≈ 60 Hz FOR 5 SECONDS)</td> <td>(500 VDC ±10%)</td> </tr> <tr> <td>- BETWEEN TERMINALS AND EXPOSED NON-CURRENT CARRYING METAL</td> <td>1000 V Rms, 500 μA (MAX LEAKAGE) 1000 Megohm MIN</td> </tr> <tr> <td>- BETWEEN TERMINALS OF MUTUALLY INSULATED CIRCUITS</td> <td>1000 V Rms, 500 μA (MAX LEAKAGE) 1000 Megohm MIN</td> </tr> <tr> <td>- BETWEEN ALL UNCONNECTED TERMINALS OF THE SAME POLE</td> <td>1000 V Rms, 500 μA (MAX LEAKAGE) 1000 Megohm MIN</td> </tr> </tbody> </table>	DIELECTRIC STRENGTH	INSULATION RESISTANCE	(≈ 60 Hz FOR 5 SECONDS)	(500 VDC ±10%)	- BETWEEN TERMINALS AND EXPOSED NON-CURRENT CARRYING METAL	1000 V Rms, 500 μA (MAX LEAKAGE) 1000 Megohm MIN	- BETWEEN TERMINALS OF MUTUALLY INSULATED CIRCUITS	1000 V Rms, 500 μA (MAX LEAKAGE) 1000 Megohm MIN	- BETWEEN ALL UNCONNECTED TERMINALS OF THE SAME POLE	1000 V Rms, 500 μA (MAX LEAKAGE) 1000 Megohm MIN						
DIELECTRIC STRENGTH	INSULATION RESISTANCE																
(≈ 60 Hz FOR 5 SECONDS)	(500 VDC ±10%)																
- BETWEEN TERMINALS AND EXPOSED NON-CURRENT CARRYING METAL	1000 V Rms, 500 μA (MAX LEAKAGE) 1000 Megohm MIN																
- BETWEEN TERMINALS OF MUTUALLY INSULATED CIRCUITS	1000 V Rms, 500 μA (MAX LEAKAGE) 1000 Megohm MIN																
- BETWEEN ALL UNCONNECTED TERMINALS OF THE SAME POLE	1000 V Rms, 500 μA (MAX LEAKAGE) 1000 Megohm MIN																
SWITCH RESISTANCE	N/A																
RECOMMENDATION OR USE IN APPL LESS THAN .5 amps AND/OR 12 volts	N/A ▲																
MECHANICAL CHARACTERISTICS:																	
OPERATING FORCE	9 OZ MAX																
RELEASE FORCE	2 OZ MIN																
DIFFERENTIAL TRAVEL	.030 MAX																
OVERTRAVEL	.030 MIN																
MOUNTING STRENGTH	N/A																
LIFE:	▲																
MECHANICAL LIFE	25,000 MIN																
ELECTRICAL LIFE AT FULL RATED LOAD	25,000 MIN																
ENVIRONMENTAL:																	
TEMPERATURE RANGE	-65°F TO +250°F																
ALTITUDE RANGE	SEA LEVEL TO 70,000 FT																
SHOCK ▲	PER MIL-S-8805 SYMBOL M-100g																
VIBRATION ▲	PER MIL-S-8805 SYMBOL 2 - 10-2000 Hz & 15g PEAK																
MOISTURE RESISTANCE ▲	PER MIL-S-8805																
THERMAL SHOCK ▲	PER MIL-S-8805																
SALT SPRAY ▲	PER MIL-S-8805																



CIRCUIT DIAGRAM

- NOTES
- UNIT INCLUDES 2HM SERIES TYPE BASIC SWITCH WITH ACTUATOR ASSEMBLED
 - ADJUSTMENT CAUTION: DO NOT ALLOW ACTUATOR LEAF TO COME IN CONTACT WITH FIXED END OF HM LEVER. SEAL DAMAGE MAY OCCUR
 - LEAF ACTUATOR ADJUSTED TO MEET SPECIFIED OPERATING POSITION PRIOR TO DELIVERY. DISASSEMBLY AND SUBSEQUENT REASSEMBLY MAY ALTER THIS CONDITION
 - 3X NO. 18 WIRE LEAD PER MIL-W-22759/11 (RED N.C., BLACK COM. YELLOW N.O.)
 - 2X CORROSION RESISTANT STEEL LOCKWASHER
 - 2X 2-56 UNC X .500 CORROSION RESISTANT STEEL ROUND HEAD MACHINE SCREW
 - 2X 2-56 UNC CORROSION RESISTANT STEEL HEX NUT
 - Ø .19 X .12 WIDE CORROSION RESISTANT STEEL ROLLER (CONCENTRICITY .005 FIM)
 - HOLES THROUGH ACTUATOR WILL SIMULTANEOUS ACCEPT Ø .087 MIN PINS ON .375±.002 CENTERS
 - INSULATION RESISTANCE BETWEEN EITHER PIN AND CONNECTOR SHELL MUST BE 100 MEGOHMS MIN AT 500 VDC
 - 3X HEAT SHRINK TUBING PER M23053/12-312-C OR EQUIVALENT
 - HEAT SHRINK TUBING PER M23053/12-325-C OR EQUIVALENT
 - BASIC SWITCH IS CATEGORY II DEVICE PER MIL-S-8805/8
 - CONTACT HONEYWELL/MICRO SWITCH IF ADDITIONAL INFORMATION ON LOW ENERGY LOADS IS REQUIRED OR FOR HELP WITH SPECIFIC APPLICATIONS



THIS DRAWING COVERS A PROPRIETARY ITEM AND IS THE PROPERTY OF MICRO SWITCH, A DIVISION OF HONEYWELL. THIS DRAWING IS NOT TO BE COPIED OR USED WITHOUT THE APPROVAL OF MICRO SWITCH.

MICRO SWITCH
a Honeywell Division

SWITCH AND CONNECTOR ASSEMBLY

38HM45

ANSI Y14.5M-1982 APPLIES

FED. INFO. CODE 91929

CATALOG LISTING

WEIGHT

THIRD ANGLE PROJECTION	
SCALE	2:1
DO NOT SCALE PRINT	
UNLESS OTHERWISE SPECIFIED TOLERANCES ARE	
ONE PLACE (.0)	±.030
TWO PLACES (.00)	±.015
THREE PLACES (.000)	±.005
ANGLES	!
WEIGHT	!

38HM45
 REV. 1.02
 10/03/22-HM
 15
 P.T.C./CAD 20
 21 FEB 03
 21 FEB 03
 21 FEB 03