

Excellent Integrated System Limited

Stocking Distributor

Click to view price, real time Inventory, Delivery & Lifecycle Information:

[Honeywell Sensing and Productivity Solutions](#)
[2ML1-E1](#)

For any questions, you can email us directly:

sales@integrated-circuit.com

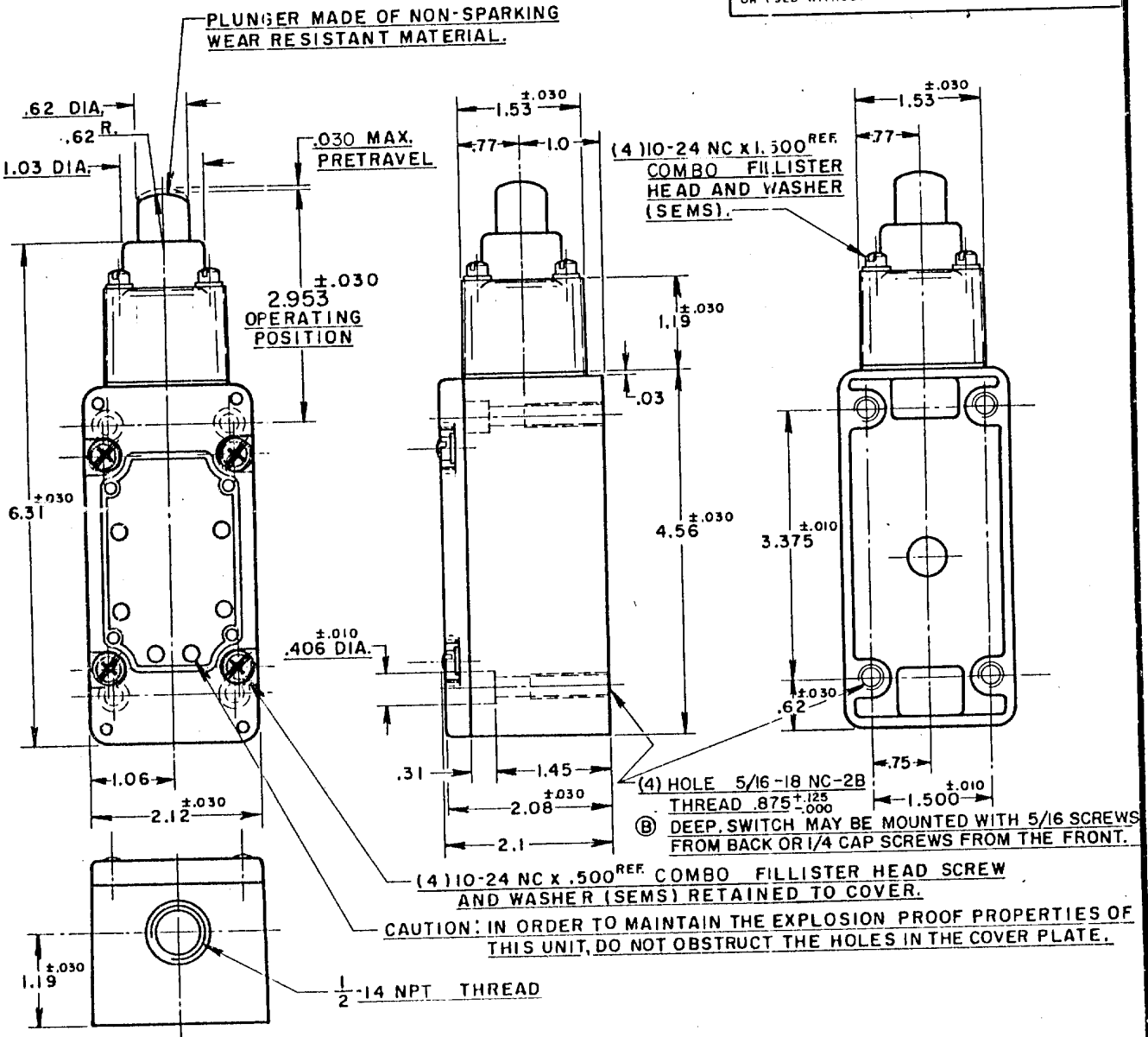
MICRO SWITCH
 A DIVISION OF MINNEAPOLIS-HONEYWELL REGULATOR COMPANY
 FREEPORT, ILLINOIS
 FED. MFR. CODE 91929

SWITCH - ENCLOSED

2ML1-E1

3

THIS DRAWING COVERS A PROPRIETARY ITEM AND IS THE PROPERTY OF MICRO SWITCH, A DIVISION OF HONEYWELL. THIS DRAWING IS NOT TO BE COPIED OR USED WITHOUT THE APPROVAL OF MICRO SWITCH.



NOTE -

- 1- IT IS ESSENTIAL THAT THE CONDUIT OPENING BE PROPERLY SEALED IN ORDER TO MAINTAIN THE EXPLOSION PROOF PROPERTIES.
- 2- LISTED BY UNDERWRITERS LABORATORY INC. FOR USE IN CLASS I GROUPS C AND D VAPOR-AIR ATMOSPHERES, AND CLASS 2 GROUPS E, F AND G DUST-AIR ATMOSPHERES.

CHARACTERISTICS (TENTATIVE) OPERATING FORCE — 6 LBS. APPROX. RELEASE FORCE — 4 LBS. APPROX. DIFFERENTIAL TRAVEL — .005 MAX. OVERTRAVEL — .500 MIN. SWITCH-BASIC REPLACEMENT — IMKI	ELECTRICAL DATA CONTACT ARRANGEMENT S. P. D. T. 20A-120, 240 OR 480 VAC; 3/4 H.P.-120 VAC 1 1/2 H.P.-240 VAC; 1/2 A-115 VDC; 1/4 A-230 VDC PILOT DUTY 720VA - HEAVY DUTY 600 VAC MAX		SCALE 1/2 TO 1 DO NOT SCALE PRINT UNLESS OTHERWISE SPECIFIED DIMENSIONS ARE IN INCHES TOLERANCES ARE: ONE PLACE (.0) ±.030 TWO PLACE (.00) ±.015 THREE PLACE (.000) ±.008 ANGLES ±
	(C) (D)		WEIGHT

(M) 2ML1-E1 ISSUE 3
 REPLACES
 RELEASE NO.
 CHECK
 12
 CHECK
 8520
 CT. 58
 11247
 FEB. 58
 12789
 MAY 58
 13022
 UG. 58
 24575
 SEP 68
 58367
 NOV 85
 55051-C
 JAN 86
 63739
 JUN 88
 74287
 PR 93
 DRAWN
 R. L. Z. 12 OCT. 56
 FO-5037B