

## Excellent Integrated System Limited

Stocking Distributor

Click to view price, real time Inventory, Delivery & Lifecycle Information:

[Honeywell Sensing and Productivity Solutions](#)  
[BFL1-BL1](#)

For any questions, you can email us directly:

[sales@integrated-circuit.com](mailto:sales@integrated-circuit.com)

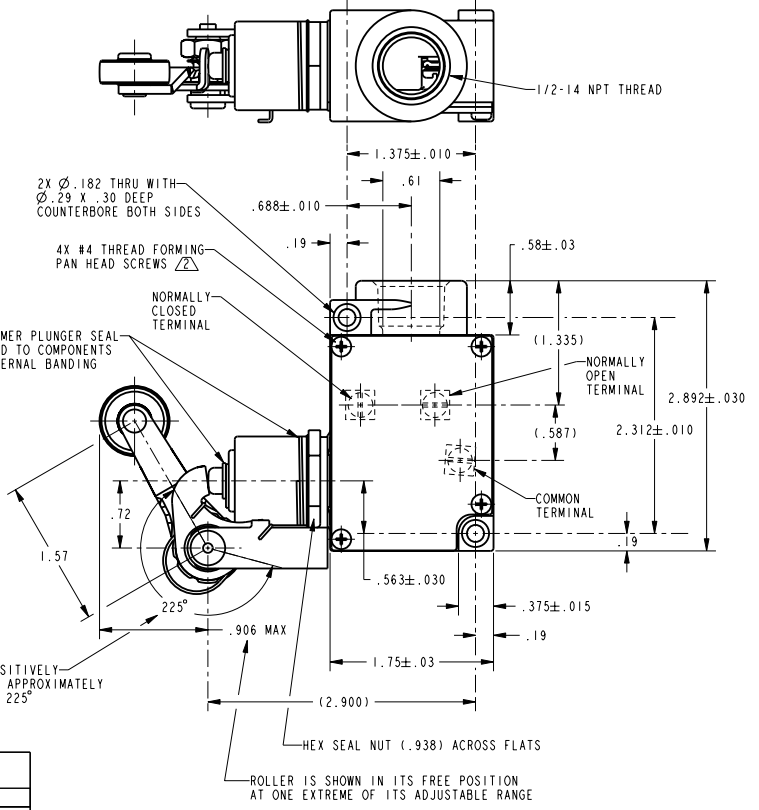
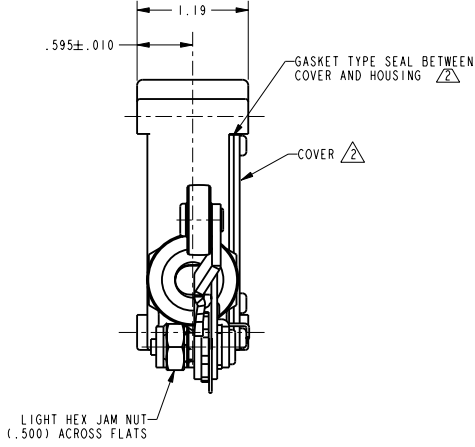
**MICROSWITCH**  
a Honeywell Division  
FED. MFG. CODE 91929

**SWITCH-ENCLOSED**

CATALOG LISTING

**BFL1-BL1**

- NOTES  
 1 - 3X 6-32 UNC PRESSURE PLATE TERMINAL SCREWS  
 FURNISHED UNASSEMBLED  
 SWITCH WILL OPERATE AND RELEASE WITHIN  
 THIS TRAVEL



THIS DRAWING COVERS A PROPRIETARY ITEM AND IS THE PROPERTY OF MICRO SWITCH, A DIVISION OF HONEYWELL. THIS DRAWING IS NOT TO BE COPIED OR USED WITHOUT THE APPROVAL OF MICRO SWITCH

THIRD ANGLE PROJECTION

CHARACTERISTICS		ELECTRICAL DATA		SCALE FULL	
OPERATING FORCE .38 OZ MAX		CONTACT ARRANGEMENT S P D T		DO NOT SCALE PRINT	
TOTAL TRAVEL .370 MIN		L156		UNLESS OTHERWISE SPECIFIED TOLERANCES ARE	
DIFFERENTIAL TRAVEL .065 NOM		11A 1/3HP 125, 250, 277 VAC		ONE PLACE (.0) ±.030	
		1/2A 125 VDC, 1/4A 250 VDC		TWO PLACE (.00) ±.015	
		4A 125 VAC "L"		THREE PLACE (.000) ±.005	
		A C		ANGLES	
				WEIGHT	

ANSI Y14.5M-1982 APPLIES

PTC/CAD 3D  
 DRAWN  
 TRF  
 06SEP01  
 CHECK  
 SAV  
 06SEP01  
 CHECK  
 REVISIONS  
 CHECK  
 06SEP01  
 CHECK  
 1  
 PAGE  
 1 OF 1  
 RELEASE NO. 203802  
 BFL1-BL1  
 CATALOG LISTING