

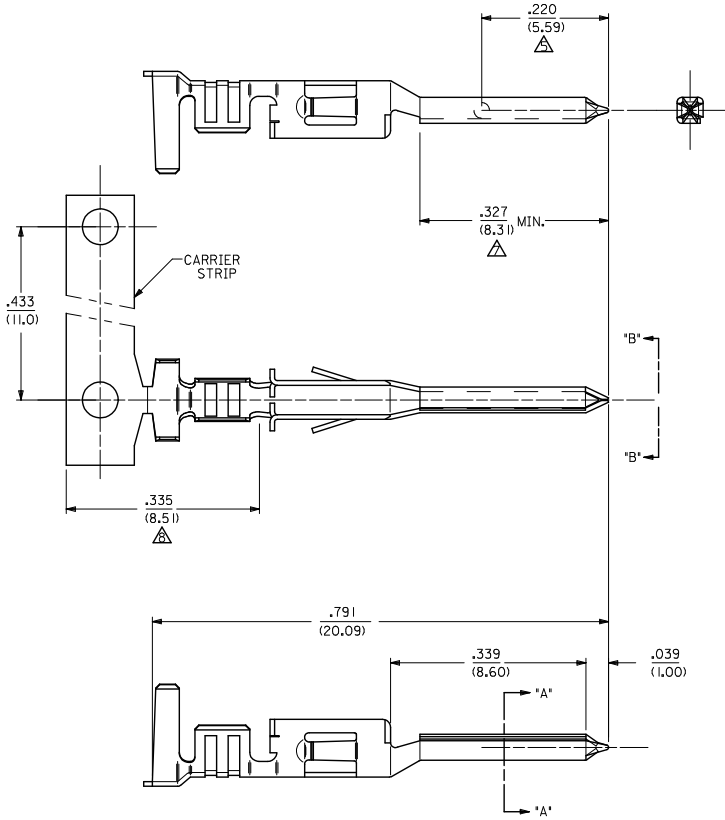
## **Excellent Integrated System Limited**

Stocking Distributor

Click to view price, real time Inventory, Delivery & Lifecycle Information:

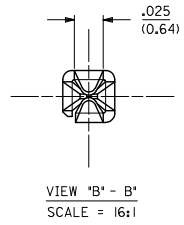
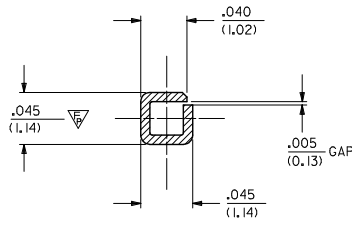
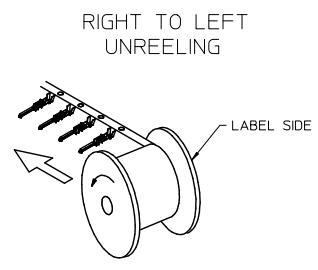
[Molex Connector Corporation](#)  
[30490-1012](#)

For any questions, you can email us directly:  
[sales@integrated-circuit.com](mailto:sales@integrated-circuit.com)



**NOTES:**

- 1- MATERIAL: PHOSPHOR BRONZE ALLOY
- 2- FINISH:
  - (A) - SELECTIVE GOLD PLATE .00030/(0.00076)MIN. AND SELECTIVE TIN .000100/(0.00254) OVER .000050/(0.00127) NICKEL OVERALL.
  - (B) - .000100/(0.00254) TIN OVER .000050/(0.00127) NICKEL.
- 3- PRODUCT SPECIFICATION: TBD.
- 4- PACKAGING INFORMATION: SEE CHART FOR CHAIN PK-5556-003 FOR LOOSE TERMINALS
- △ - MEASURING POINT FOR PLATING THICKNESS.
- ▽ - TERMINAL CANNOT BE USED IN 42475 OR 43558 HOUSINGS.
- △ - GOLD PLATING AREA.
- △ - TIN PLATING AREA.



SECTION "A - A"  
SCALE = 16:1

VIEW "B - B"  
SCALE = 16:1

30490-2012	B	LOOSE	RIGHT TO LEFT	4000	18-24
30490-2002		CHAIN			
30490-1012	A	LOOSE	RIGHT TO LEFT	4000	18-24
30490-1002		CHAIN			
ITEM NO.	PLATING	FORM	UNREEL DIRECTION	QTY. PER REEL	WIRE GAGE

<b>UPDATE TABLE</b> EC NO: UCP2014-3954 2014/04/07 DRAWING/REV CHKD: BELL 2014/04/07 APPR: SMITH 2014/05/16	QUALITY SYMBOLS	GENERAL TOLERANCES (UNLESS SPECIFIED)	DIMENSION STYLE	SCALE	DESIGN UNITS	THIRD ANGLE PROJECTION
	▽=0	mm INCH	IN/MM	8:1	INCH	THIRD ANGLE PROJECTION
	▽=1	4 PLACES ± --- ± ---	DRAWN BY DATE	TITLE		
	▽=2	3 PLACES ± --- ± .010	BBW 92/ 1/22	MALE CRIMP TERMINAL MINI-FIT STYLE		
		2 PLACES ± 0.25 ± .015	CHECKED BY DATE			
		1 PLACE ± 0.38 ± ---	APPROVED BY DATE			
		0 PLACE ± ±	JAMARA 2011/01/28	MATERIAL NO.	DOCUMENT NO.	SHEET NO.
		ANGULAR ± 5 °	SEE CHART		SD-30490-***2	1 OF 1
		DRAFT WHERE APPLICABLE MUST REMAIN WITHIN DIMENSIONS	SIZE C	THIS DRAWING CONTAINS INFORMATION THAT IS PROPRIETARY TO MOLEX INCORPORATED AND SHOULD NOT BE USED WITHOUT WRITTEN PERMISSION		