



Distributor of Molex Connector Corporation: Excellent Integrated System Limited
Datasheet of 0743204004 - Connector Receptacle DVI-D, Dual Link 24 Position Through Hole,
Right Angle, Horizontal

Contact us: sales@integrated-circuit.com Website: www.integrated-circuit.com

Excellent Integrated System Limited

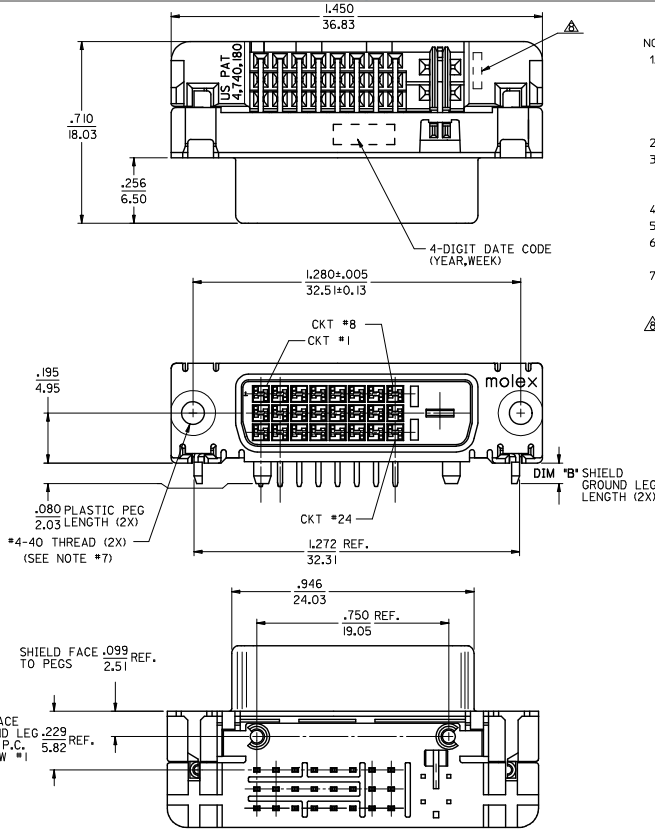
Stocking Distributor

Click to view price, real time Inventory, Delivery & Lifecycle Information:

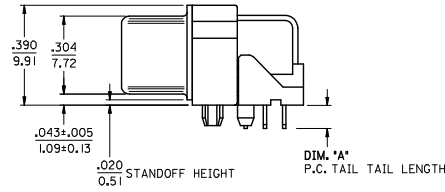
[Molex Connector Corporation](#)
[0743204004](#)

For any questions, you can email us directly:
sales@integrated-circuit.com

Contact us: sales@integrated-circuit.com Website: www.integrated-circuit.com



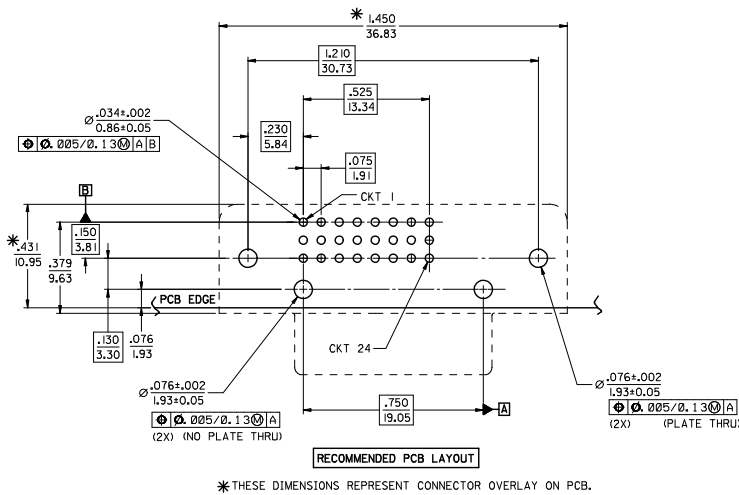
- NOTES:
- MATERIAL:
SHIELD: DEEP DRAW STEEL;
HOUSING: LCP, UL94V-0, NATURAL (WHITE);
TAIL ALIGNER: LCP, UL94V-0, NATURAL (WHITE);
CONTACT: COPPER ALLOY.
 - PLATING: SEE SHEET 2.
 - PRODUCT CONFORMS TO MOLEX PRODUCT SPECIFICATION NUMBER PS-74320-001. REFER TO THIS SPECIFICATION FOR SPACING ON A P.C.B. OF TWO OR MORE CONNECTORS WHEN USING A CABLE OR AN ADAPTER ASSEMBLY.
 - SEE SHEET 2 FOR RECOMMENDED PANEL CUT-OUT AND P.C.B. LAYOUT.
 - PARTS WILL BE PACKAGED IN TRAYS PER PK-74320-010.
 - PRODUCT CONFORMS TO DDWG DVI SPECIFICATION. REFER TO THIS SPECIFICATION FOR CONNECTOR MATING DIMENSIONS.
 - RECOMMENDED MOUNTING HARDWARE IS MOLEX P/N 71781-0001 OR 82007-0300 OR 88780-6066. REFER TO PRODUCT SPECIFICATION NUMBER PS-74320-001 FOR THIS APPLICATION TORQUE REQUIREMENT FOR ASSEMBLING MOUNTING HARDWARE.
- △ CAVITY ID AND MANUFACTURING PLANT CODE.



PART NUMBER	PLATING OPTION	DIM A	DIM B
74320-4000	1	0.092/2.34	0.080±0.020
74320-4001	1	0.050/1.27	2.03±0.51
74320-4003	1	0.123/3.12	0.110/2.79
74320-4004	2	0.092/2.34	0.080±0.020
74320-4005	2	0.050/1.27	2.03±0.51
74320-4016	2	0.110/2.79	0.110/2.79
74320-4007	2	0.123/3.12	0.110/2.79

REVISED EC. NO. SH2015-0200 G DRAWN: XQZHANG 2014/12/10 CHKD: XQZHANG 2014/12/10 APPR: AYIN 2015/02/09 REV	QUALITY SYMBOLS √=0 √=0 √=0	GENERAL TOLERANCES (UNLESS SPECIFIED)	DIMENSION STYLE	SCALE	DESIGN UNITS	THIRD ANGLE PROJECTION DVI - DIGITAL RIGHT ANGLE RECEPTACLE CONNECTOR molex MATERIAL NO. SEE TABLE DOCUMENT NO. SD-74320-003 SHEET NO. 1 OF 2
			IN/MM	1:1	INCH	
		4 PLACES ± --- ± ---	DRAWN BY XQZHANG DATE 2014/12/10	TITLE		
		3 PLACES ± --- ± 0.010	CHECKED BY XQZHANG DATE 2014/12/10			
		2 PLACES ± 0.25 ± 0.010	APPROVED BY AYIN DATE 2015/02/09			
		1 PLACE ± 0.25 ± 0.010				
		0 PLACE ± --- ± ---				
		ANGULAR ± 0.5°				
		DRAFT WHERE APPLICABLE MUST REMAIN WITHIN DIMENSIONS				

Contact us: sales@integrated-circuit.com Website: www.integrated-circuit.com



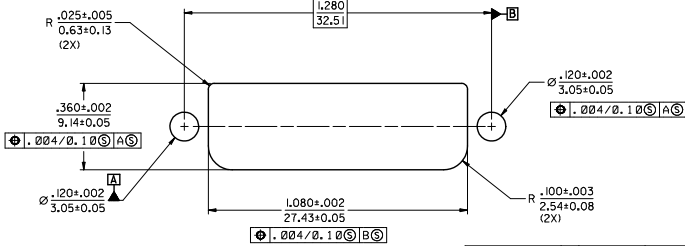
PLATING OPTIONS:

PLATING OPTION #1:

OUTER SHIELD -- 150µ/(3.75µm) MIN. BRIGHT TIN OVER
50µ/(1.27µm) MIN. NICKEL OVER COPPER FLASH.
.075"/(1.91mm) CONTACTS -- 30µ/(0.75µm) MIN. SELECT GOLD AND
100µ/(2.50µm) MIN. SELECT PURE TIN
OVER 50µ/(1.27µm) MIN. NICKEL OVERALL.

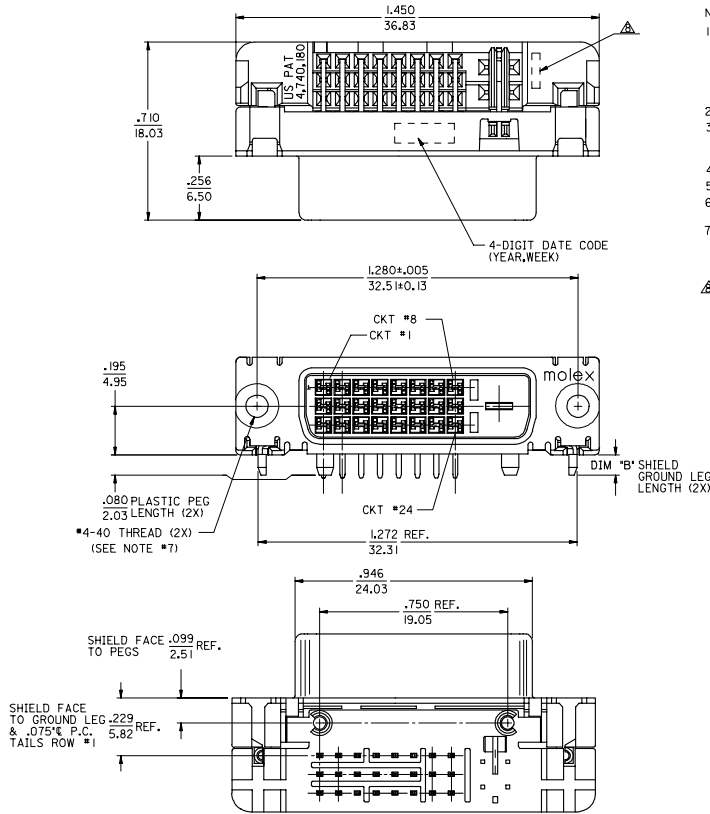
PLATING OPTION #2:

OUTER SHIELD -- 150µ/(3.75µm) MIN. BRIGHT TIN OVER
50µ/(1.27µm) MIN. NICKEL OVER COPPER FLASH.
.075"/(1.91mm) CONTACTS -- SELECT GOLD FLASH AND
100µ/(2.50µm) MIN. SELECT PURE TIN
OVER 50µ/(1.27µm) MIN. NICKEL OVERALL.

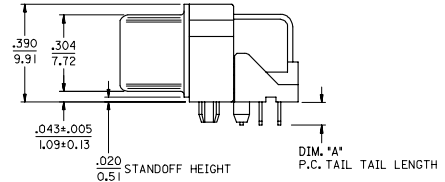


SEE SHEET 1 EC NO. SH2015-0200 DRAWN BY: XQZHANG 2014/12/10 CHECKED BY: XQZHANG 2014/12/10 APPROVED BY: AYIN 2015/02/09	QUALITY SYMBOLS	GENERAL TOLERANCES (UNLESS SPECIFIED)	DIMENSION STYLE	SCALE	DESIGN UNITS	THIRD ANGLE PROJECTION	
	$\nabla = 0$ $\nabla = 0$ $\nabla = 0$	mm INCH 4 PLACES ± --- ± --- 3 PLACES ± --- ± 0.010 2 PLACES ± 0.25 ± 0.010 1 PLACE ± 0.25 ± 0.010 0 PLACE ± --- ± ---	IN/MM	1:1	INCH	DVI - DIGITAL RIGHT ANGLE RECEPTACLE CONNECTOR	
	ANGULAR ± 0.5° DRAFT WHERE APPLICABLE MUST REMAIN WITHIN DIMENSIONS	DRAWN BY: XQZHANG 2014/12/10 CHECKED BY: XQZHANG 2014/12/10 APPROVED BY: AYIN 2015/02/09	MATERIAL NO. SEE SHEET 1	DATE 2014/12/10	DATE 2014/12/10	DOCUMENT NO. SD-74320-003	SHEET NO. 2 OF 2
	THIS DRAWING CONTAINS INFORMATION THAT IS PROPRIETARY TO MOLEX INCORPORATED AND SHOULD NOT BE USED WITHOUT WRITTEN PERMISSION						

Contact us: sales@integrated-circuit.com Website: www.integrated-circuit.com



- NOTES:
- MATERIALS:
SHIELD -- DEEP DRAW STEEL.
HOUSING -- GLASS FILLED POLYMER, NATURAL (WHITE), UL 94v-0.
TAIL ALIGNER -- GLASS FILLED POLYMER, NATURAL (WHITE), UL 94v-0.
CONTACTS -- COPPER ALLOY.
MICROCROSS GROUND -- COPPER ALLOY.
 - PLATING: SEE SHEET 2
 - PRODUCT CONFORMS TO MOLEX PRODUCT SPECIFICATION NUMBER PS-74320-001. REFER TO THIS SPECIFICATION FOR SPACING ON A P.C.B. OF TWO OR MORE CONNECTORS WHEN USING A CABLE OR AN ADAPTER ASSEMBLY.
 - SEE SHEET 2 FOR RECOMMENDED PANEL CUT-OUT AND P.C.B. LAYOUT.
 - PARTS WILL BE PACKAGED IN TRAYS PER PK-74320-010.
 - PRODUCT CONFORMS TO DDWG DVI SPECIFICATION. REFER TO THIS SPECIFICATION FOR CONNECTOR MATING DIMENSIONS.
 - RECOMMENDED MOUNTING HARDWARE IS MOLEX P/N 71781-0001 OR 88780-6066 OR 82007-0300.
REFER TO PRODUCT SPECIFICATION NUMBER PS-74320-001 FOR THE APPLICATION TORQUE REQUIREMENT FOR ASSEMBLING MOUNTING HARDWARE.
- △ CAVITY NO. AND MANUFACTURING PLANT CODE.



PART NUMBER	PLATING OPTION	DIM 'A'	DIM 'B'
74320-4000	1	.092/2.34	.080±.020
74320-4001	1	.050/1.27	2.03±0.51
74320-4003	1	.123/3.12	.110/2.79
74320-4004	2	.092/2.34	.080±.020
74320-4005	2	.050/1.27	2.03±0.51
74320-4016	2	.110/2.79	.110/2.79
74320-4007	2	.123/3.12	.110/2.79

REVISE
EC NO: SH2007-0732
2007/06/06
DRAWN: JASONG
2007/06/05
CHKD: JIHAN
2007/06/05
APPR: JICHEN
2007/06/22

QUALITY SYMBOLS
▽=0
▽=0

	GENERAL TOLERANCES (UNLESS SPECIFIED)	
	mm	INCH
4 PLACES	± .---	± .---
3 PLACES	± .---	± .010
2 PLACES	± 0.25	± 0.10
1 PLACE	± 0.25	± 0.10
ANGULAR		±1/2°

DRAFT WHERE APPLICABLE
MUST REMAIN WITHIN DIMENSIONS

DIMENSION STYLE		SCALE	DESIGN UNITS	THIRD ANGLE PROJECTION
IN/MM	DATE	2:1	INCH	
DRAWN BY	DATE			
MOSULL IV	1999/02/12			
CHECKED BY	DATE			
MOSULL IV	1999/02/12			
APPROVED BY	DATE			
NELLIGAN	1999/02/12			

TITLE: DVI-DIGITAL RIGHT ANGLE RECEPTACLE CONNECTOR

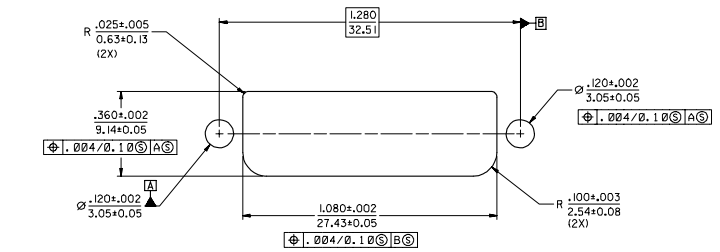
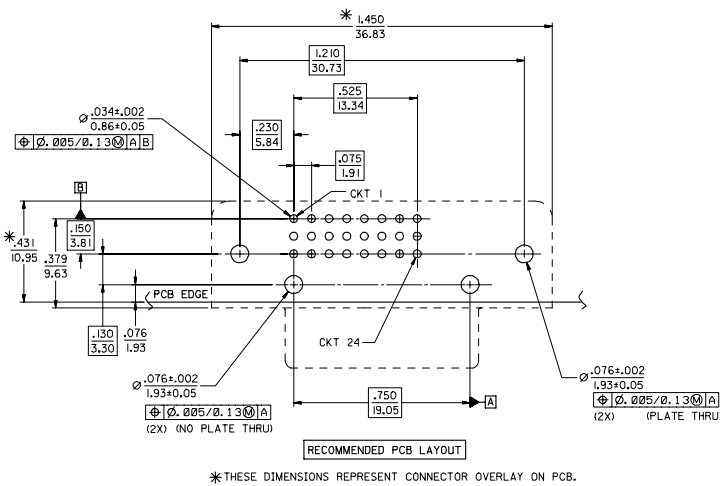
MATERIAL NO. SEE CHART
DOCUMENT NO. SD-74320-003

MOLEX INCORPORATED

SIZE: A3
THIS DRAWING CONTAINS INFORMATION THAT IS PROPRIETARY TO MOLEX INCORPORATED AND SHOULD NOT BE USED WITHOUT WRITTEN PERMISSION

SHEET NO. 1 OF 2

Contact us: sales@integrated-circuit.com Website: www.integrated-circuit.com



SEE SHEET 1 EC NO: SH12007-0732 DRAWN: JASONG 2007/06/05 CHKD: JITIAN 2007/06/05 APPR: JICHEN 2007/06/22	QUALITY SYMBOLS ▽=0 ▽=0	GENERAL TOLERANCES (UNLESS SPECIFIED)		DIMENSION STYLE IN/MM	SCALE 2:1	DESIGN UNITS INCH	THIRD ANGLE PROJECTION	
		4 PLACES ± --- ± --- 3 PLACES ± --- ± .010 2 PLACES ± 0.25 ± .010 1 PLACE ± 0.25 ± .010	DRAWN BY MOSULL IV	DATE 1999/02/12	TITLE DVI-DIGITAL RIGHT ANGLE RECEPTACLE CONNECTOR			
		ANGULAR ±1/2°	CHECKED BY MOSULL IV	DATE 1999/02/12	MOLEX INCORPORATED			
		DRAFT WHERE APPLICABLE MUST REMAIN WITHIN DIMENSIONS	APPROVED BY NELL IGAN	DATE 1999/02/12	MATERIAL NO. SEE CHART	DOCUMENT NO. SD-74320-003	SHEET NO. 2 OF 2	