

Excellent Integrated System Limited

Stocking Distributor

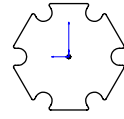
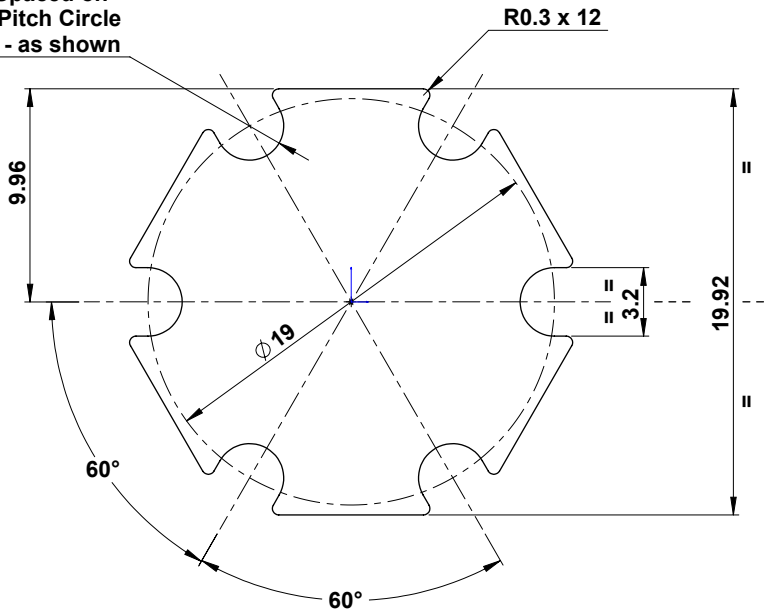
Click to view price, real time Inventory, Delivery & Lifecycle Information:

[t-Global Technology](#)
[LP0001/01-LI2000-0.25](#)

For any questions, you can email us directly:

sales@integrated-circuit.com

R1.6 x 6
Equally Spaced on
19.0mm. Pitch Circle
Diameter - as shown



REFERENCE VIEW

Scale:- Full Size

UNLESS OTHERWISE SPECIFIED:
DIMENSIONS ARE IN Millimetres
SURFACE FINISH:
TOLERANCES:
LINEAR:
ANGULAR:

	NAME	DATE
DRAWN	L. Simpson	14 th July 2012
CHK'D		
APPV'D		
MFG		
Q.A		

**t-Global
Technology**

MATERIAL:
**t-Global Thermal
Material Li2000**
Thickness T = 0.25mm.

PART No.

DO NOT SCALE DRAWING | REVISION
LP0001/01-Material Ref.- Thickness(T mm.)
Ordering No. LP0001/01-Li2000-0.25

TITLE:
LUMI-PAD
For LED Configuration

LP0001/01-Li2000-0.25

A4

WEIGHT:

SCALE: 4:1

SHEET 1 OF 1