

## Excellent Integrated System Limited

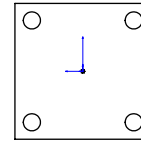
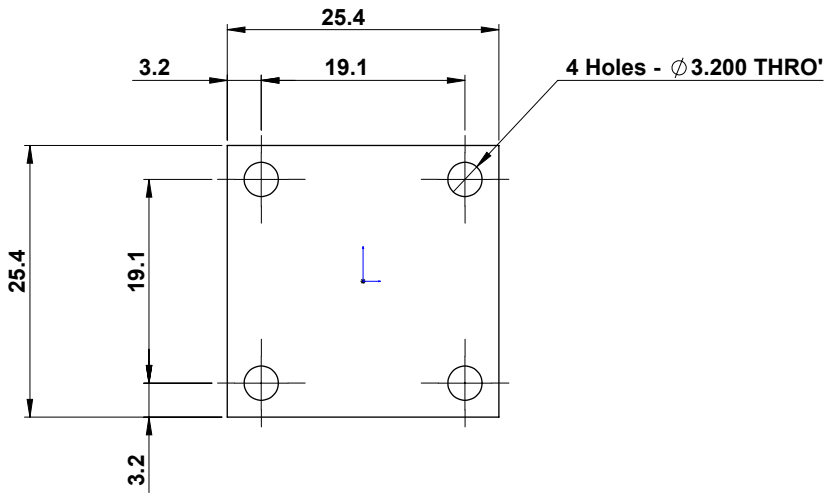
Stocking Distributor

Click to view price, real time Inventory, Delivery & Lifecycle Information:

[t-Global Technology](#)  
[LP0002/01-TI900-0.12](#)

For any questions, you can email us directly:

[sales@integrated-circuit.com](mailto:sales@integrated-circuit.com)



**Reference View**

Scale: Full Size

UNLESS OTHERWISE SPECIFIED:  
DIMENSIONS ARE IN Millimetres  
SURFACE FINISH:  
TOLERANCES:  
LINEAR:  
ANGULAR:

	NAME	DATE
DRAWN	L. Simpson	15 <sup>th</sup> July 2012
CHK'D		
APPV'D		
MFG		
Q.A		

**t-Global  
Technology**

MATERIAL:  
**t-Global Thermal  
Material Ti900**  
Thickness T = 0.12mm.

PART No.

**LP0002/01-Ti900-0.12**

WEIGHT:

DO NOT SCALE DRAWING

REVISION

LP0002/01-Material Ref.-Thickness(T mm.)

Ordering No. LP0002/01-TI900-0.12

TITLE:

**LUMI-PAD**  
For LED Configuration

**A4**

SCALE: 2:1

SHEET 1 OF 1