

## Excellent Integrated System Limited

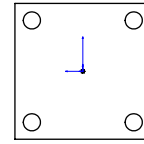
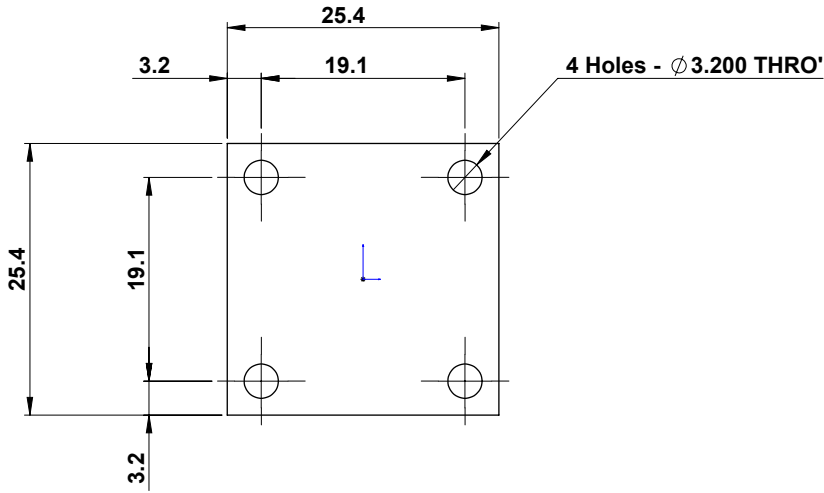
Stocking Distributor

Click to view price, real time Inventory, Delivery & Lifecycle Information:

[t-Global Technology](#)  
[LP0004/01-H48-6G-0.3-2A](#)

For any questions, you can email us directly:

[sales@integrated-circuit.com](mailto:sales@integrated-circuit.com)



**Reference View**

Scale: Full Size

UNLESS OTHERWISE SPECIFIED: DIMENSIONS ARE IN Millimetres SURFACE FINISH: TOLERANCES: LINEAR: ANGULAR:			<b>t-Global Technology</b>		DO NOT SCALE DRAWING	REVISION																		
					LP0002/01-Material Ref.-Thickness(T mm.) Ordering No. LP0002/01-H48-6G-0.3-2A																			
<table border="1"> <thead> <tr> <th></th> <th>NAME</th> <th>DATE</th> </tr> </thead> <tbody> <tr> <td>DRAWN</td> <td>L. Simpson</td> <td>15<sup>th</sup> July 2012</td> </tr> <tr> <td>CHK'D</td> <td></td> <td></td> </tr> <tr> <td>APPV'D</td> <td></td> <td></td> </tr> <tr> <td>MFG</td> <td></td> <td></td> </tr> <tr> <td>Q.A</td> <td></td> <td></td> </tr> </tbody> </table>				NAME	DATE	DRAWN	L. Simpson	15 <sup>th</sup> July 2012	CHK'D			APPV'D			MFG			Q.A			MATERIAL: <b>t-Global Thermal Material H48-6G</b> Thickness T = 0.3mm.		TITLE: <b>LUMI-PAD</b> For LED Configuration	
	NAME	DATE																						
DRAWN	L. Simpson	15 <sup>th</sup> July 2012																						
CHK'D																								
APPV'D																								
MFG																								
Q.A																								
			PART No. <b>LP0002/01-H48-6G-0.3-2A</b>		<b>A4</b>																			
			WEIGHT:		SCALE: 2:1																			
					SHEET 1 OF 1																			