

Excellent Integrated System Limited

Stocking Distributor

Click to view price, real time Inventory, Delivery & Lifecycle Information:

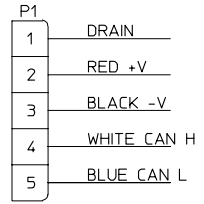
[Molex Connector Corporation](#)
[0848548024](#)

For any questions, you can email us directly:

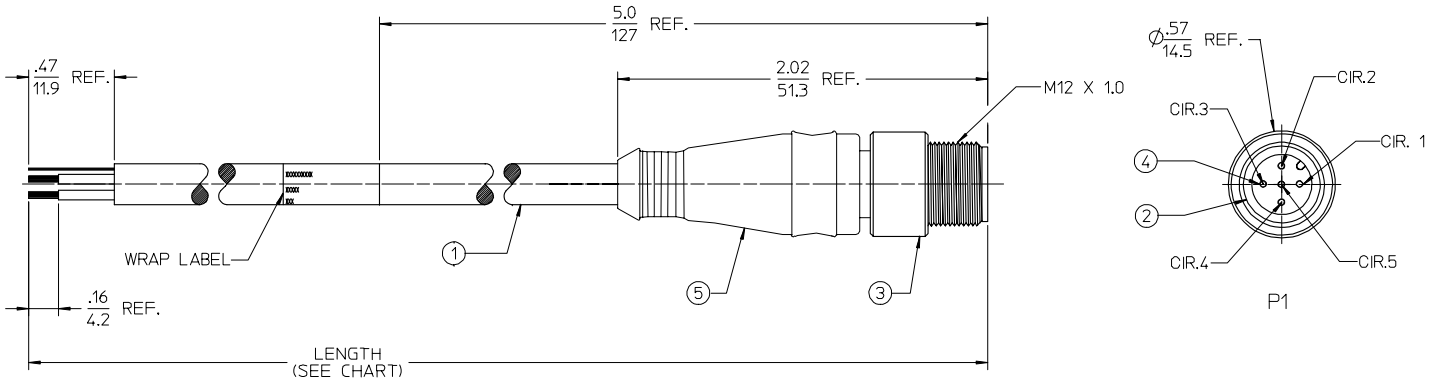
sales@integrated-circuit.com

10	9	8	7	6	5	4	3	2	1
MATERIAL NO.	ENGINEERING NO.	LENGTH							84854
848548021	84854-8021	.5M							
848548022	84854-8022	1M							
848548023	84854-8023	2M							
848548024	84854-8024	3M							
848548025	84854-8025	4M							
848548026	84854-8026	5M							
848548027	84854-8027	6M							
848548032	84854-8032	1 FT							
848548033	84854-8033	3 FT							
848548034	84854-8034	4 FT							
848548035	84854-8035	9 FT							

NOTES:
 1. MATERIAL: SEE TABLE
 2. FINISHES: SEE TABLE
 3. MATES WITH: DEVICE-NET RECEPTACLE
 4. ASSEMBLY IS RoHS COMPLIANT



WIRING DIAGRAM



ITEM	QTY.	DESCRIPTION	MATERIAL	FINISH
5	1	OVERMOLD	PVC	GRAY
4	5	CONTACT PINS	Cu ALLOY	GOLD PLATED
3	1	COUPLING, MALE THD, METRIC	BRASS	NICKEL PLATED
2	1	INSULATOR, 5/C, DC KEY	NYLON	BLACK
1	1	CABLE, DEVICE-NET, THIN	PVC	GRAY

RELEASED EC NO: ETC2008-0052 DRW: R.STONE 2007/08/20 CHKD: J.MACNEIL 2007/08/21 APPR: J.MACNEIL 2007/08/24	QUALITY SYMBOLS ▽=0 ▽=0	GENERAL TOLERANCES (UNLESS SPECIFIED)		DIMENSION STYLE IN/MM		SCALE 4:1	DESIGN UNITS INCH	THIRD ANGLE PROJECTION	
		4 PLACES ±--- ±---		DRAWN BY R.STONE DATE 2007/08/20		TITLE MICRO-C PLUG, MALE METRIC, 5/C, DEV-NET DC KEY			
		3 PLACES ±--- ±---		CHECKED BY J.MACNEIL DATE 2007/08/22					
		2 PLACES ±--- ±.01		APPROVED BY J.MACNEIL DATE 2007/08/22		MATERIAL NO. SEE CHART		MOLEX INCORPORATED	
1 PLACE ±0.25 ±---		ANGULAR ±1/2°		DRAFT WHERE APPLICABLE MUST REMAIN WITHIN DIMENSIONS		DOCUMENT NO. SD-84854-018		THIS DRAWING CONTAINS INFORMATION THAT IS PROPRIETARY TO MOLEX INCORPORATED AND SHOULD NOT BE USED WITHOUT WRITTEN PERMISSION	

1b_Frame_B_P_ME_T Rev. E 2006/04/15