

Excellent Integrated System Limited

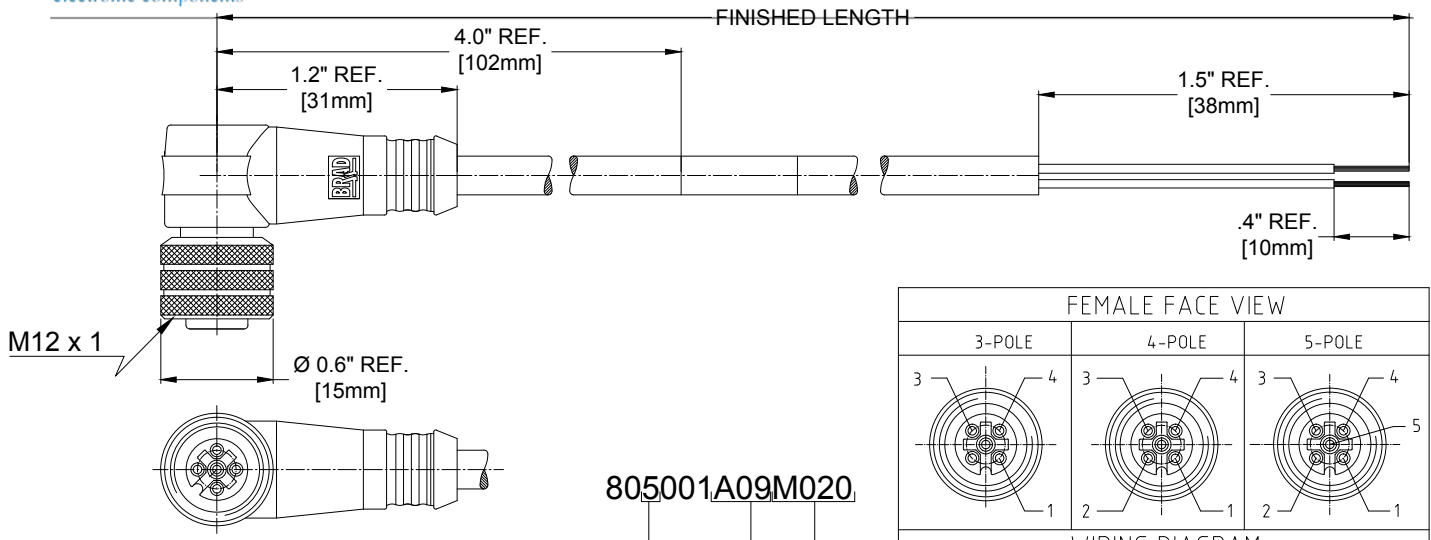
Stocking Distributor

Click to view price, real time Inventory, Delivery & Lifecycle Information:

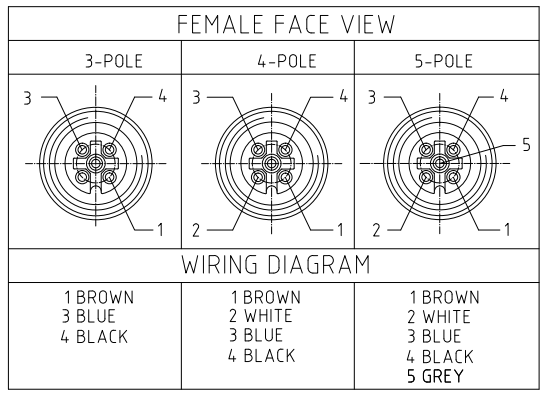
[Molex Connector Corporation](#)
[1200651562](#)

For any questions, you can email us directly:

sales@integrated-circuit.com



805001A09M020
 no poles 3-5 pole
 cable type #22/3-5 PVC YELLOW
 020---2 Meters
 100---10 Meters



CONNECTOR SPECIFICATION:

VOLTAGE RATING	250 VAC/VDC
AMPERAGE RATING	max. 4 AMPS
PROTECTION	IP67
OPERATING TEMPERATURE	-20°C TO 105°C
UL CERTIFICATIONS	UL RECOGNIZED, FILE NO. E152210
ASSEMBLY	RoHS COMPLIANT

COMPONENT	MATERIAL	FINISH
LABEL	MYLAR	BLACK/YELLOW
O-RING	VITON	RED
COUPLER	BRASS	NICKEL PLATED
PIN CONTACT	COPPER ALLOY	GOLD OVER NICKEL
INSERT	NYLON	BLACK
OVERMOLD	PUR	YELLOW
CABLE- 22/3-5 (COPPER STRANDING) 3/4/5 CONDUCT. 300V	JACKET: PVC	JACKET: YELLOW

MATERIAL NUMBER	ENGINEERING NUMBER	FINISHED LENGTH
1200651444	803001A09M020	6.56' +3.5" -0 [2.0M +89 -0]
1200651551	804001A09M020	6.56' +3.5" -0 [2.0M +89 -0]
1200651697	805001A09M020	6.56' +3.5" -0 [2.0M +89 -0]
1200651567	804001A09M100	32.81' +12.5" -0 [10.0M +318 -0]

UPDATED FOR PART MATRIX EC NO: IPC2014-0588 DRWN: GGUSTAFS 1/28/15 CHKD: TWOLLEGE APPR: ENCOBMAN 20/10/25 REV:	QUALITY SYMBOLS 	GENERAL TOLERANCES (UNLESS SPECIFIED) <table border="1"> <tr> <td></td> <td>mm</td> <td>INCH</td> </tr> <tr> <td>4 PLACES ±</td> <td>0.10</td> <td>0.004</td> </tr> <tr> <td>3 PLACES ±</td> <td>0.05</td> <td>0.002</td> </tr> <tr> <td>2 PLACES ±</td> <td>0.13</td> <td>0.010</td> </tr> <tr> <td>1 PLACE ±</td> <td>0.25</td> <td>0.020</td> </tr> <tr> <td></td> <td colspan="2">ANGULAR ± .5°</td> </tr> </table>		mm	INCH	4 PLACES ±	0.10	0.004	3 PLACES ±	0.05	0.002	2 PLACES ±	0.13	0.010	1 PLACE ±	0.25	0.020		ANGULAR ± .5°		DIMENSION STYLE IN/MM DRAWN BY: GGUSTAFS DATE: 2013/11/26 CHECKED BY: RE DATE: 2010/01/21 APPROVED BY: NSTAUDIG DATE: 2010/01/25 MATERIAL NO. SEE CHART DOCUMENT NO. SD-120065-027	SCALE: NTS DESIGN UNITS: INCH THIRD ANGLE PROJECTION	MICRO-CHANGE CORDSET 3-5 POLE FEMALE 90D 22/AWG YELLOW PVC CABLE MOLEX INCORPORATED	SHEET NO. 1 OF 1
		mm	INCH																					
	4 PLACES ±	0.10	0.004																					
	3 PLACES ±	0.05	0.002																					
2 PLACES ±	0.13	0.010																						
1 PLACE ±	0.25	0.020																						
	ANGULAR ± .5°																							
DRAFT WHERE APPLICABLE MUST REMAIN WITHIN DIMENSIONS		THIS DRAWING CONTAINS INFORMATION THAT IS PROPRIETARY TO MOLEX INCORPORATED AND SHOULD NOT BE USED WITHOUT WRITTEN PERMISSION																						
A		A3																						