

Excellent Integrated System Limited

Stocking Distributor

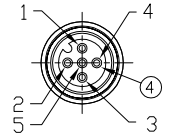
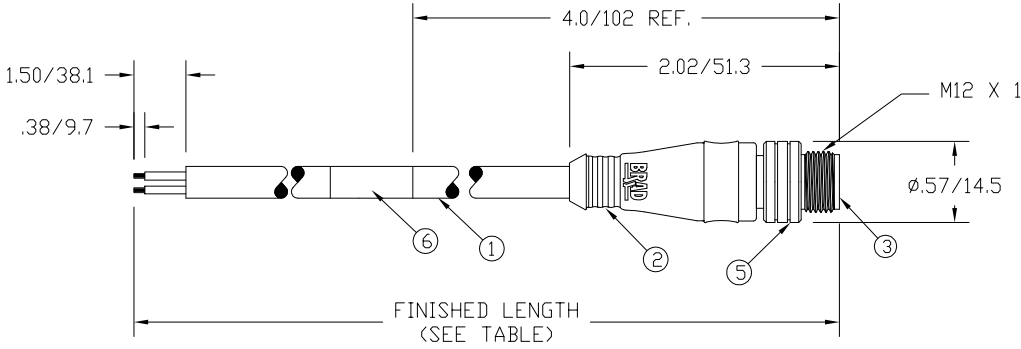
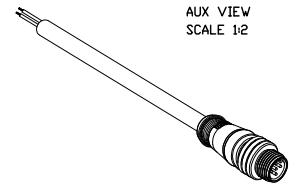
Click to view price, real time Inventory, Delivery & Lifecycle Information:

[Molex Connector Corporation](#)
[1200651374](#)

For any questions, you can email us directly:

sales@integrated-circuit.com

MATERIAL NUMBER	ENGINEERING NUMBER	FINISHED LENGTH
120065-1374	805006K03M020	2.0M +89mm -0 [6.56' +3.5' -0]
120065-2150	805006K03M040	4.0M +165mm -0 [13.12' +6.5' -0]
120065-2151	805006K03M050	5.0M +165mm -0 [16.40' +6.5' -0]
120065-2152	805006K03M060	6.0M +165mm -0 [19.69' +6.5' -0]
120065-2153	805006K03M100	10.0M +318mm -0 [32.81' +12.5' -0]



MALE FACE VIEW

1	BROWN
2	WHITE
3	BLUE
4	BLACK
5	GRAY

WIRING DIAGRAM

- NOTES:
- 1) MATERIALS: SEE TABLE
 - 2) FINISHES: SEE TABLE
 - 3) CABLE: #18/5 ITC/PLTC TPE
 - 4) ELECTRICAL DATA:
MAX. VOLTAGE: 250 VAC/VDC
MAX. CURRENT: 4 AMPS
 - 5) ENVIRONMENTAL:
PROTECTION: IP67
TEMPERATURE RANGE: -20°C TO 105°C
 - 6) WRAP LABEL IS MARKED WITH P/N, DATE CODE, VOLTAGE & AMPERAGE.
 - 7) ASSEMBLY IS RoHS COMPLIANT.

ITEM	QTY.	DESCRIPTION	MATERIAL	FINISH
6	1	LABEL	MYLAR	BLACK/YELLOW
5	1	COUPLER	BRASS	TEFLON/NICKEL
4	5	PIN CONTACT	COPPER ALLOY	GOLD OVER NICKEL
3	1	INSERT	PUR	BLACK
2	1	OVERMOLD	TPE	YELLOW
1	1	#22/5 CABLE	TPE JACKET	YELLOW

RELEASED DRAWING EC NO: WEL20090054 DRWN: BWOODMAN 8/17/09 CHKD: YOU 2009/07/29 APPR: JFJURPHY 2009/08/21	QUALITY SYMBOLS ▽=0 C=0	GENERAL TOLERANCES (UNLESS SPECIFIED)		DIMENSION STYLE	SCALE	DESIGN UNITS	THIRD ANGLE PROJECTION	
				IN/MM	1:1	INCH		
		4 PLACES	±----	±----	DRAWN BY	DATE	TITLE	
		3 PLACES	±----	±----	BWOODMAN	2009/08/17	MICRO-CHANGE CORDSET	
2 PLACES	±----	±.01	CHECKED BY	DATE	5P MA ST SINGLE KEY			
1 PLACE	±0.3	±----	VOU	2009/08/17	#18/5 YELLOW TPE CABLE			
ANGULAR ±----		°	APPROVED BY	DATE	MOLEX INCORPORATED			
DRAFT WHERE APPLICABLE MUST REMAIN WITHIN DIMENSIONS		SEE TABLE		MATERIAL NO.	DOCUMENT NO.	SHEET NO.		
				SIZE A	SD-120065-021		1 OF 1	
THIS DRAWING CONTAINS INFORMATION THAT IS PROPRIETARY TO MOLEX INCORPORATED AND SHOULD NOT BE USED WITHOUT WRITTEN PERMISSION								

6

5

4

3

2

1