

## Excellent Integrated System Limited

Stocking Distributor

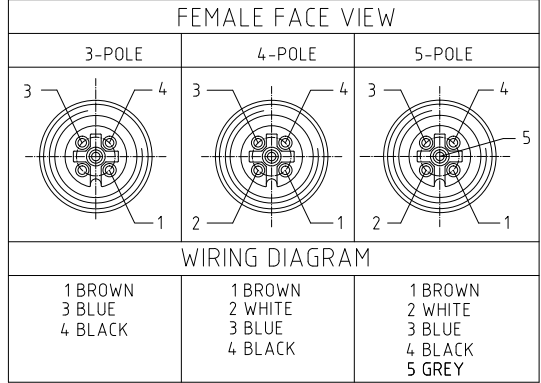
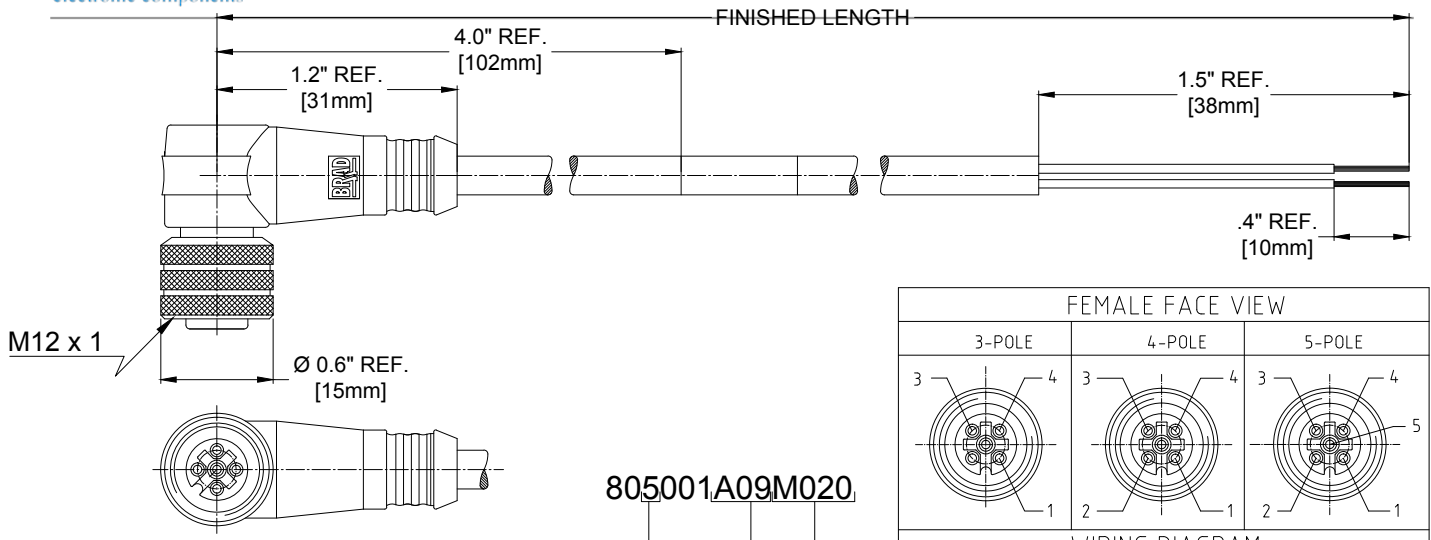
Click to view price, real time Inventory, Delivery & Lifecycle Information:

[Molex Connector Corporation](#)

[1200651703](#)

For any questions, you can email us directly:

[sales@integrated-circuit.com](mailto:sales@integrated-circuit.com)



**805001A09M020**

no poles 3-5 pole  
cable type #22/3-5 PVC YELLOW  
020---2 Meters  
100---10 Meters

**CONNECTOR SPECIFICATION:**

VOLTAGE RATING	250 VAC/VDC
AMPERAGE RATING	max. 4 AMPS
PROTECTION	IP67
OPERATING TEMPERATURE	-20°C TO 105°C
UL CERTIFICATIONS	UL RECOGNIZED, FILE NO. E152210
ASSEMBLY	RoHS COMPLIANT

COMPONENT	MATERIAL	FINISH
LABEL	MYLAR	BLACK/YELLOW
O-RING	VITON	RED
COUPLER	BRASS	NICKEL PLATED
PIN CONTACT	COPPER ALLOY	GOLD OVER NICKEL
INSERT	NYLON	BLACK
OVERMOLD	PUR	YELLOW
CABLE- 22/3-5 (COPPER STRANDING) 3/4/5 CONDUCT. 300V	JACKET: PVC	JACKET: YELLOW

MATERIAL NUMBER	ENGINEERING NUMBER	FINISHED LENGTH
1200651444	803001A09M020	6.56' +3.5" -0 [2.0M +89 -0]
1200651551	804001A09M020	6.56' +3.5" -0 [2.0M +89 -0]
1200651697	805001A09M020	6.56' +3.5" -0 [2.0M +89 -0]
1200651567	804001A09M100	32.81' +12.5" -0 [10.0M +318 -0]

UPDATED FOR PART MATRIX EC NO: IPC2014-0586 1/28/15 DRWN: GUSTAFS CHRD: TWOLLEGE APPR: ENCOBMAN 2010/01/25 REV:	QUALITY SYMBOLS 	GENERAL TOLERANCES (UNLESS SPECIFIED) <table border="1"> <tr> <th></th> <th>mm</th> <th>INCH</th> </tr> <tr> <td>4 PLACES ±</td> <td>---</td> <td>---</td> </tr> <tr> <td>3 PLACES ±</td> <td>---</td> <td>±.005</td> </tr> <tr> <td>2 PLACES ±</td> <td>±.13</td> <td>±.010</td> </tr> <tr> <td>1 PLACE ±</td> <td>±.25</td> <td>±.020</td> </tr> <tr> <td colspan="3">ANGULAR ± .5°</td> </tr> </table>		mm	INCH	4 PLACES ±	---	---	3 PLACES ±	---	±.005	2 PLACES ±	±.13	±.010	1 PLACE ±	±.25	±.020	ANGULAR ± .5°			DIMENSION STYLE IN/MM DRAWN BY: GUSTAFS DATE: 2013/11/26 CHECKED BY: RE DATE: 2010/01/21 APPROVED BY: NSTAUDIG DATE: 2010/01/25 MATERIAL NO. DOCUMENT NO. SD-120065-027 SHEET NO. 1 OF 1	SCALE: NTS DESIGN UNITS: INCH THIRD ANGLE PROJECTION <b>MOLEX INCORPORATED</b> MICRO-CHANGE CORDSET 3-5 POLE FEMALE 90D 22/AWG YELLOW PVC CABLE
		mm	INCH																			
	4 PLACES ±	---	---																			
	3 PLACES ±	---	±.005																			
2 PLACES ±	±.13	±.010																				
1 PLACE ±	±.25	±.020																				
ANGULAR ± .5°																						
DRAFT WHERE APPLICABLE MUST REMAIN WITHIN DIMENSIONS		SEE CHART	THIS DRAWING CONTAINS INFORMATION THAT IS PROPRIETARY TO MOLEX INCORPORATED AND SHOULD NOT BE USED WITHOUT WRITTEN PERMISSION																			
SIZE: A3																						