

Excellent Integrated System Limited

Stocking Distributor

Click to view price, real time Inventory, Delivery & Lifecycle Information:

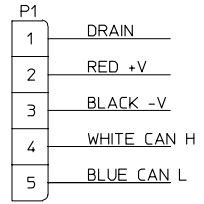
[Molex Connector Corporation](#)
[0848548026](#)

For any questions, you can email us directly:

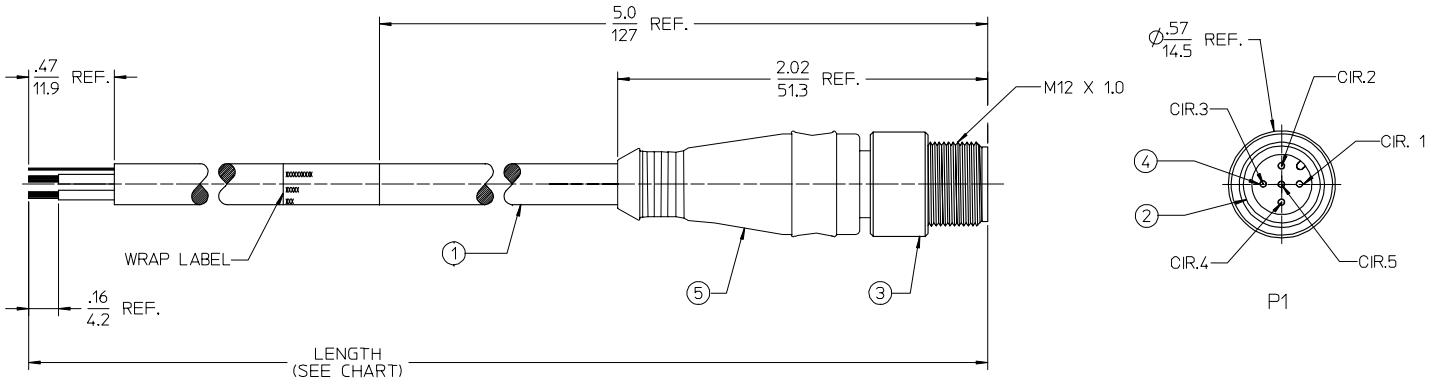
sales@integrated-circuit.com

| MATERIAL NO. | ENGINEERING NO. | LENGTH |
|--------------|-----------------|--------|
| 848548021 | 84854-8021 | .5M |
| 848548022 | 84854-8022 | 1M |
| 848548023 | 84854-8023 | 2M |
| 848548024 | 84854-8024 | 3M |
| 848548025 | 84854-8025 | 4M |
| 848548026 | 84854-8026 | 5M |
| 848548027 | 84854-8027 | 6M |
| 848548032 | 84854-8032 | 1 FT |
| 848548033 | 84854-8033 | 3 FT |
| 848548034 | 84854-8034 | 4 FT |
| 848548035 | 84854-8035 | 9 FT |

NOTES:
 1. MATERIAL: SEE TABLE
 2. FINISHES: SEE TABLE
 3. MATES WITH: DEVICE-NET RECEPTACLE
 4. ASSEMBLY IS RoHS COMPLIANT



WIRING DIAGRAM



| ITEM | QTY. | DESCRIPTION | MATERIAL | FINISH |
|------|------|----------------------------|----------|---------------|
| 5 | 1 | OVERMOLD | PVC | GRAY |
| 4 | 5 | CONTACT PINS | Cu ALLOY | GOLD PLATED |
| 3 | 1 | COUPLING, MALE THD, METRIC | BRASS | NICKEL PLATED |
| 2 | 1 | INSULATOR, 5/C, DC KEY | NYLON | BLACK |
| 1 | 1 | CABLE, DEVICE-NET, THIN | PVC | GRAY |

| | | | | | | | | | |
|--|-------------------------------|---|--------------------------|--------------------------|---|----------------------|------------------------|--|--|
| RELEASED EC NO: ETC2008-0052 DRW: R.STONE 2007/08/20 CHKD: J.MACNEIL 2007/08/21 APPR: J.MACNEIL 2007/08/24 | QUALITY SYMBOLS ▽=0 ▽=0 | GENERAL TOLERANCES (UNLESS SPECIFIED) | | DIMENSION STYLE IN/MM | SCALE 4:1 | DESIGN UNITS INCH | THIRD ANGLE PROJECTION | | |
| | | 4 PLACES ±--- ±--- 3 PLACES ±--- ±--- 2 PLACES ±--- ±.01 1 PLACE ±0.25 ±--- ANGULAR ±1/2° | DRAWN BY R.STONE | DATE 2007/08/20 | TITLE MICRO-C PLUG, MALE METRIC, 5/C, DEV-NET DC KEY | | | | |
| | | DRAFT WHERE APPLICABLE MUST REMAIN WITHIN DIMENSIONS | CHECKED BY J.MACNEIL | DATE 2007/08/22 | MOLEX INCORPORATED | | | | |
| | | SEE CHART | APPROVED BY J.MACNEIL | DATE 2007/08/22 | MATERIAL NO. SD-84854-018 | DOCUMENT NO. | SHEET NO. 1 OF 1 | | |