

Excellent Integrated System Limited

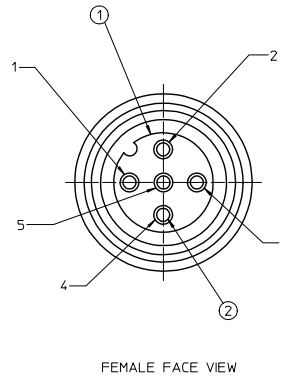
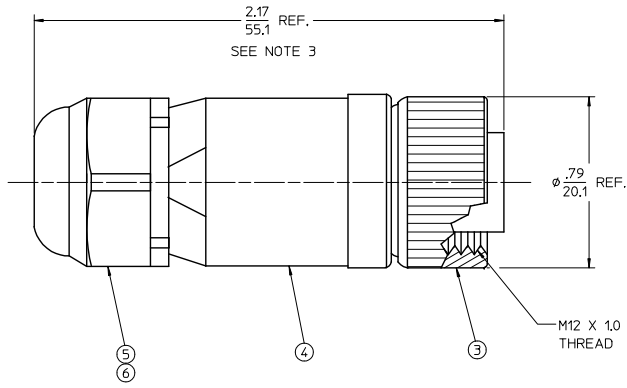
Stocking Distributor

Click to view price, real time Inventory, Delivery & Lifecycle Information:

[Molex Connector Corporation](#)
[0848549317](#)

For any questions, you can email us directly:

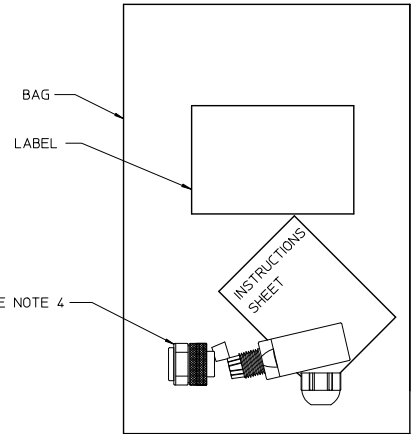
sales@integrated-circuit.com



FEMALE FACE VIEW

NOTES:

- 1. CABLE RANGE: .16 to .32 DIA. (4.1mm TO 8.1mm)
- 2. MAX CONDUCTOR SIZE: 18 AWG
- 3. PART SHOWN ASSEMBLED FOR DIMENSIONAL REF. ONLY
- 4. COMPONENTS ARE SHIPPED AS UNASSEMBLED KIT



Ⓑ PACKAGED VIEW Ⓒ INSTURCTIONS SHEET

6	1	PACKING GLAND (GROMMET)	NITRILE RUBBER	BLACK
5	1	PACKING NUT	NYLON	BLACK
4	1	OVERMOLD	POLYAMIDE	BLACK
3	1	COUPLING NUT	BRASS	NICKEL PLATED
2	5	CONTACT SOCKET	BRASS	SILVER PLATED
1	1	INSERT, 5/C. DC KEY, FEMALE	POLYAMIDE	BLACK
ITEM	QTY.	DESCRIPTION	MATERIAL	FINISH

EC NO: IFC2013-0834 DRAWN BY: DRWINBARDEN CHKD: APPR: J. MURPHY DATE: 2013/02/26 DESCRIPTION:	QUALITY SYMBOLS	GENERAL TOLERANCES (UNLESS SPECIFIED)	DIMENSION STYLE	SCALE	DESIGN UNITS	THIRD ANGLE PROJECTION
	▼=0 ∇=0	mm INCH 4 PLACES ± --- ± --- 3 PLACES ± --- ± --- 2 PLACES ± 0.13 ± .01 1 PLACE ± 0.25 ± --- ANGULAR ± 1/2°	IN/MM DRAWN BY: R. STONE DATE: 2007/10/11 CHECKED BY: J. MACNEIL DATE: 2007/10/16 APPROVED BY: J. MACNEIL DATE: 2007/10/16	TITLE: MICRO-CHANGE 5/C FIELD ATTACHABLE FEMALE	INCH	MOLEX INCORPORATED
	DRAFT WHERE APPLICABLE MUST REMAIN WITHIN DIMENSIONS	MATERIAL NO. 848549317	DOCUMENT NO. SD-84854-019	SHEET NO. 1 OF 1	THIS DRAWING CONTAINS INFORMATION THAT IS PROPRIETARY TO MOLEX INCORPORATED AND SHOULD NOT BE USED WITHOUT WRITTEN PERMISSION	
	REV: C	SIZE: C	THIS DRAWING CONTAINS INFORMATION THAT IS PROPRIETARY TO MOLEX INCORPORATED AND SHOULD NOT BE USED WITHOUT WRITTEN PERMISSION			