

Excellent Integrated System Limited

Stocking Distributor

Click to view price, real time Inventory, Delivery & Lifecycle Information:

[Amphenol RE](#)
[903-305J-51R](#)

For any questions, you can email us directly:

sales@integrated-circuit.com

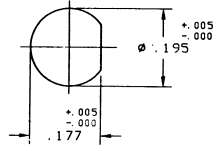
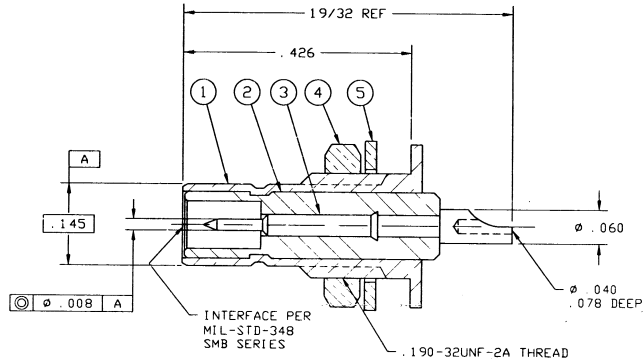
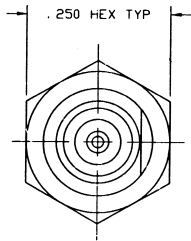


Distributor of Amphenol RF: Excellent Integrated System Limited
 Datasheet of 903-305J-51R - CONN SMB JACK STR 50 OHM SOLDER

NOTES:

1. PLATING MUST CONFORM TO AMPHENOL SPEC 349-50560.
2. PACKAGE IN ANTI-STATIC BAG 999-284. MARK BAG: "AMPHENOL, 903-305J-51R AND DATE CODE".
3. ORIENTATION BETWEEN FLATS AND SOLDER POCKET IS NOT CRITICAL.
4. DO NOT SCALE THIS DRAWING.

903-305J-51R		REVISIONS			
DRAWING NO.	REV	DESCRIPTION	DATE	ECO	APPR
THIRD ANGLE PROJ.	A	RELEASE TO MFG.	8/19/91	38399	FSH
	D	REDRAWN NEW FORMAT; ADD NOTE 4 UPDATED PLATE CODES.	12/11/98	42752	CPM JBS



MOUNTING HOLE

DESIGNED FOR .093 MAX PANEL

PART NUMBER	QTY	ITEM	DESCRIPTION	FINISH
31-10505-HZ	1	5	LOCKWASHER	NOTE 1
27-206-HZ	1	4	HEX NUT	NOTE 1
903-10373-2GY	1	3	MALE CONTACT	NOTE 1
903-10326-3	1	2	INSULATOR	
903-10440-HZ	1	1	BODY	NOTE 1

UNLESS OTHERWISE SPECIFIED, DIMENSIONS ARE IN INCHES AND TOLERANCES ARE:
 2 PLACE DECIMAL ±.015 (0.381 mm)
 3 PLACE DECIMAL ±.005 (0.127 mm)
 ANGLES ± 1°

NOTICE - These drawings, specifications, or other data (1) are, and remain the property of Amphenol Corp. (2) must be returned upon request; and (3) are confidential and not to be disclosed to any person other than those to whom they are given by Amphenol Corp. The furnishing of these drawings, specifications, or other data by Amphenol Corp., or to any other person to anyone for any purpose is not to be regarded by implication or otherwise in any manner licensing, granting rights or permitting such holder or any other person to manufacture, use or sell any product, process or design, patented or otherwise, that may in any way be related to or disclosed by said drawings, specifications, or other data.

MATERIAL	DRAWN R. PERCY	DATE 8/7/91	TITLE SMB JACK RECEPTACLE	Amphenol Amphenol Corporation RF/Microwave Operations Danbury, Conn U.S.A. 06810 SCALE: 6:1 SHEET OF
REFERENCE EAR 111-962625	ENGINEER	DATE	APPROVED F. HULL DATE 8/15/91 CAD FILE H:\PETE\SMB\903\ASSY\305J51R0	
			CODE ID 74868	DWG SIZE B
			DRAWING NO. 903-305J-51R	REV D