

Excellent Integrated System Limited

Stocking Distributor

Click to view price, real time Inventory, Delivery & Lifecycle Information:

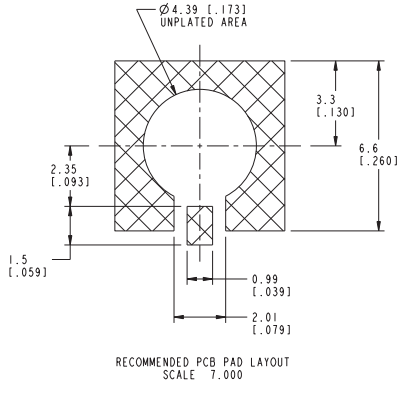
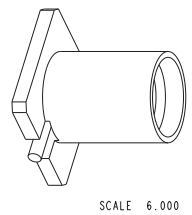
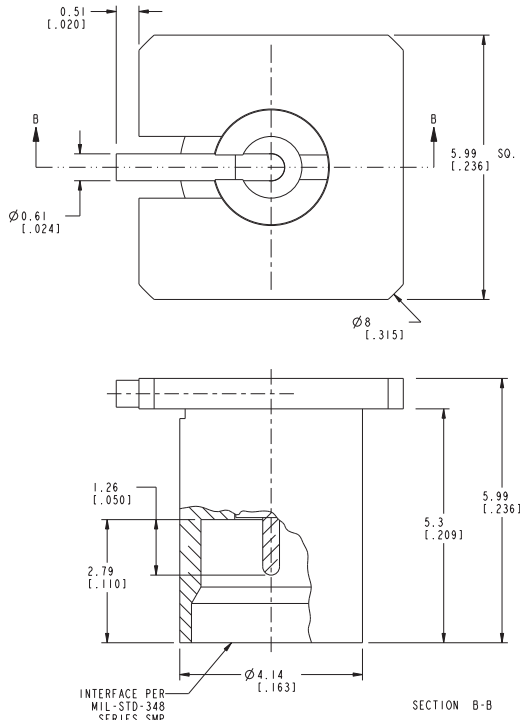
[Amphenol RE](#)
[SMP-MSSB-PCR](#)

For any questions, you can email us directly:

sales@integrated-circuit.com

- NOTES:
- MATERIALS AND FINISHES:**
 BODY - BRASS; GOLD PLATING, .000030 INCH [0.0008 MM] THICK OVER COPPER
 CONTACT - BERYLLIUM COPPER, GOLD PLATING, .000030 INCH [0.0008 MM] THICK OVER COPPER
 INSULATOR - PEEK OR LCP, NATURAL
 - ELECTRICAL:**
 A. IMPEDANCE: 50 OHM
 B. FREQUENCY RANGE: DC - 12 GHz
 C. VSWR(RETURN LOSS): 1.10 (26 dB), MAX. DC-6GHz
 1.20 (21 dB), MAX. 6-12GHz
 D. DIELECTRIC WITHSTANDING VOLTAGE: 500 VRMS, MIN.
 - PHYSICAL:**
 A. DURABILITY: 1000 CYCLES MIN.
 B. ENGAGEMENT FORCE: 2 LB [9 N] MAX
 C. DISENGAGEMENT FORCE: 0.5 LB [2 N] MIN
 D. INNER CONTACT RETENTION FORCE: 1.5 LB [7 N] MIN
 E. TEMPERATURE RANGE: -65° C TO 165° C
 F. INSULATOR MATERIAL RATED TO UL94 V-0
 - PACKAGING:**
 A. QUANTITY: SINGLE PACK
 B. MARKING: AMPHENOL, SMP-MSSB-PCR, DATE CODE

		REVISIONS		
REV	DESCRIPTION	DATE	ECO	APPR
A	RELEASE TO MFG	9/12/05	45722	MY
C	ADDED UL RATING FOR INSULATOR MATERIAL	28-Jul-11	48667	SH



CUSTOMER OUTLINE DRAWING
 ALL OTHER SHEETS ARE FOR INTERNAL USE ONLY

UNLESS OTHERWISE SPECIFIED, DIMENSIONS ARE IN METRIC AND TOLERANCES ARE:
 <0.5mm ±0.5mm 0.5 - 6mm ±0.1mm 6 - 30mm ±0.2mm 30 - 120mm ±0.3mm ANGLES ±1°

NOTICE - These drawings, specifications, or other data (1) are, and remain the property of Amphenol Corp. (2) must be returned upon request; and (3) are confidential and not to be disclosed to any person other than those to whom they are given by Amphenol Corp. The furnishing of these drawings, specifications, or other data by Amphenol Corp., or to any other person to anyone for any purpose is not to be regarded by implication or otherwise in any manner licensing, granting rights to permit such holder or any other person to manufacture, use or sell any product, process or design, patented or otherwise, that may in any way be related to or disclosed by said drawings, specifications, or other data.

MATERIAL	DRAWN T. DENG	DATE 25-Jul-11
REFERENCE GEN ASSM2.SMP EABR 283 615X-1690-100 CONFIGURATION LEVEL: FINISH	ENGINEER OWEN BARTHELMS	DATE 25-Apr-01
	APPROVED S. HSIEH	DATE 28-Jul-11
	CAD FILE	

TITLE ASSEMBLY, PC BOARD, REAR MOUNT SMOOTH BORE	SCALE: 12.0:1.0 SHEET 2 OF 2
DWG SIZE B	REV C

Amphenol RF www.amphenolrf.com
DRAWING NO. SMP-MSSB-PCR
ITEM NO. SMP-MSSB-PCR
PART NO. SMP-MSSB-PCR