

## Excellent Integrated System Limited

Stocking Distributor

Click to view price, real time Inventory, Delivery & Lifecycle Information:

[Amphenol RF](#)  
[901-10112](#)

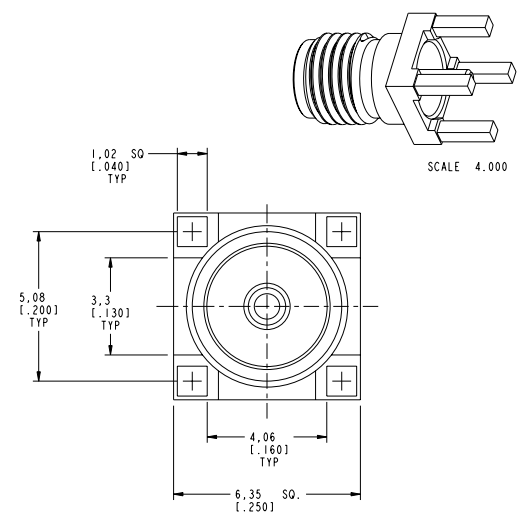
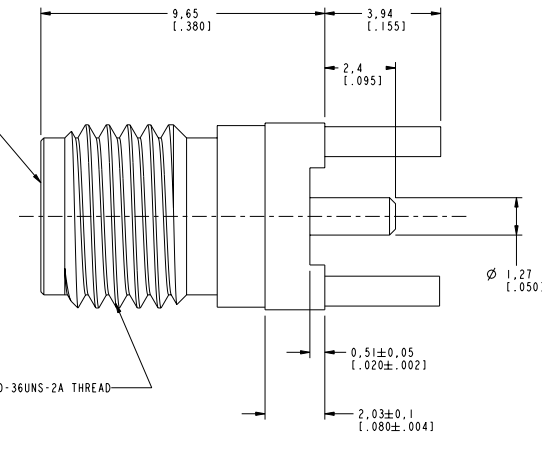
For any questions, you can email us directly:

[sales@integrated-circuit.com](mailto:sales@integrated-circuit.com)

- NOTES:
- MATERIALS AND FINISHES:**  
 BODY = BRASS PER ASTM-B16; GOLD PLATED PER MIL-G-45204 TYPE 1, .000010 MIN THICK,  
 OVER COPPER PER MIL-C-14550, CLASS 4, .000130 MIN THICK  
 CONTACT PIN = PHOSPHOR BRONZE PER ASTM B139, GOLD PLATED PER MIL-G-45204, .000050 MIN THICK  
 OVER NICKEL PLATE PER QQ-N-290, .000050 MIN THICK  
 INSULATOR = PTFE PER MIL-P-19468
  - ELECTRICAL:**  
 A. IMPEDANCE: 50 OHM  
 B. FREQUENCY RANGE: DC - 4 GHz  
 C. VSWR(RETURN LOSS): 1.05 (32 dB), MAX. @2.2 GHz  
 D. DIELECTRIC WITHSTANDING VOLTAGE: 1000 VRMS, MIN.
  - MECHANICAL:**  
 A. DURABILITY: 200 CYCLES, MIN.  
 B. TEMPERATURE RANGE: -65° C TO 165° C  
 C. FORCE TO ENGAGE/DISENGAGE: TORQUE: 2.0 INCH POUNDS (MAX.)  
 D. COUPLING PROOF TORQUE: 15 INCH POUNDS MIN.  
 E. COUPLING MECHANISM RETENTION FORCE: 60 LBS. MIN  
 F. CENTER CONTACT RETENTION: AXIAL: 6 LBS. MIN, RADIAL: 4 INCH OUNCES MIN.
  - PACKAGING:**  
 A. QUANTITY: BULK PACK 100 PER BAG  
 B. MARKING: BAG TO BE MARKED  
 "ANAREN 57837-0001"  
 "AMPHENOL, 901-10112, AND DATE CODE"

901-10112		REVISIONS			
DRAWING NO.	REV	DESCRIPTION	DATE	ECO	APPR
THIRD ANGLE PROJ.	A	1) 3.30 WAS 2.92 2) BODY PLATING WAS 5 MICROINCHES GOLD 3) CENTER CONTACT WAS BERYLLIUM COPPER 4) ADDED CUSTOMER PN TO PACKAGING	7/7/03	44545	CPM
	B	ADD .080, .020 DIMENSIONS; ELECTRICAL, MECHANICAL, PACKAGING INFO; SPECS. TO MATERIAL AND FINISHES NOTES	9/24/03	44617	
	C	.380 WAS .375	9/2/05	45698	KJC

- PACKAGING:**  
 A. QUANTITY: BULK PACK 100 PER BAG  
 B. MARKING: BAG TO BE MARKED  
 "ANAREN 57837-0001"  
 "AMPHENOL, 901-10112, AND DATE CODE"



**CUSTOMER OUTLINE DRAWING**  
 ALL OTHER SHEETS ARE FOR INTERNAL USE ONLY

UNLESS OTHERWISE SPECIFIED, DIMENSIONS ARE IN MM (INCHES) AND TOLERANCES ARE:  
 0.5 - 6mm ±0.2mm    6 - 30mm ±0.4mm    30 - 120mm ±0.6mm

NOTICE - These drawings, specifications, or other data (1) are, and remain the property of Amphenol Corp. (2) must be returned upon request; and (3) are confidential and not to be disclosed to any person other than those to whom they are given by Amphenol Corp. The furnishing of these drawings, specifications, or other data by Amphenol Corp., or to any other person to anyone for any purpose is not to be regarded by implication or otherwise in any manner licensing, granting rights or permitting such holder or any other person to manufacture, use or sell any product, process or design, patented or otherwise, that may in any way be related to or disclosed by said drawings, specifications, or other data.

<b>MATERIAL</b>	<b>DRAWN</b>	<b>DATE</b>
	C. McGRATH	6/30/03
<b>REFERENCE</b>	<b>ENGINEER</b>	<b>DATE</b>
GEN# 901-144-8RFX_ASSY EAR 1038 ANAREN PN: 57837-0001	O. BARTHELME	6/30/03
	<b>APPROVED</b>	<b>DATE</b>
	O. BARTHELME	7/2/03
<b>CAD FILE</b>	1:\SMA\ 901-10112	

<b>TITLE</b>	SMA PCB MOUNT JACK	
<b>Amphenol</b>	Amphenol Corporation Communication and Network Products Division Danbury, CT U.S.A. 06810	
<b>SCALE: 8.0:1</b>	<b>SHEET</b>	2 OF 2
<b>CODE ID</b>	<b>DWG SIZE</b>	<b>DRAWING NO.</b>
74868	B	901-10112
<b>REV</b>	C	