

Excellent Integrated System Limited

Stocking Distributor

Click to view price, real time Inventory, Delivery & Lifecycle Information:

[LEMO](#)

[EPK.00.250.NTN](#)

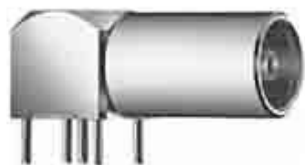
For any questions, you can email us directly:

sales@integrated-circuit.com

SUMMARY

Wires

| | |
|---------|---|
| Low | 0 |
| High | 0 |
| Coax | 1 |
| Triax | 0 |
| Quad | 0 |
| Fiber | 0 |
| Fluidic | 0 |



Download

[Request a quote](#)

[Catalog](#)

| | |
|------------------|------------------|
| Series | 00 |
| Termination type | Female print PCB |
| IP rating | 50 |
| Cable Ø | 0.00 - 0.00 mm |
| Matching parts | xxx |

TECHNICAL DETAILS

Mechanics

| | |
|-------------------|--|
| Shell Style/Model | EPK*: Elbow receptacle for printed circuit with clearance under the body |
| Keying | Circular (can rotate) |
| Housing Material | Brass (nickel plated) shell, collet nut, latch sleeve and mid pieces |
| Cable Fixing | ∅ 0 - 0 mm |
| Variant | |

Performance

| | |
|---------------|------------------------|
| Configuration | 0.25 : 1 Coax (50 Ohm) |
| Insulator | T: PTFE |
| Rated Current | 4 Amps |

Specifications

| | |
|---------------|--|
| Contact Type: | Coaxial 50 Ohm (Printed Circuit Board) |
| Max. Matings: | 5000 |
| Contact Dia.: | 0.7 mm (0.028in) |
| Test voltage: | 2.1 kV (rms) |
| R (max): | 6.1 mOhm |
| Vtest: | 2100 V (AC), 3000 V (DC) |
| □ | |
| Impedance: | 50 Ohm |

VSWR: $1.09 + 0.11 * f/\text{GHz}$

Others

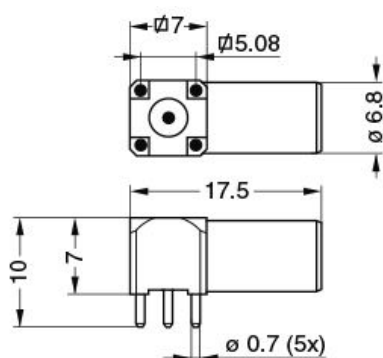
Endurance (Shell): 5000 mating cycles

F ret (min): 100 N

IP Rating: 50

DRAWINGS

Draws



Dimensions

| | A | L | Weight |
|-----|------|------|--------|
| mm. | 7 | 17.5 | 4.2 |
| in. | 0,28 | 0,69 | 0,17 |

RECOMMENDED BY LEMO

Tools

None

Cables