



Distributor of Molex Connector Corporation: Excellent Integrated System Limited
Datasheet of 0670688100 - Connector Receptacle USB TypeB 4 Position Through Hole, Right
Angle, Horizontal

Contact us: sales@integrated-circuit.com Website: www.integrated-circuit.com

Excellent Integrated System Limited

Stocking Distributor

Click to view price, real time Inventory, Delivery & Lifecycle Information:

[Molex Connector Corporation](#)
[0670688100](#)

For any questions, you can email us directly:
sales@integrated-circuit.com

Contact us: sales@integrated-circuit.com Website: www.integrated-circuit.com

NOTES :

1. MATERIAL :

HOUSING : (a) HIGH TEMP. NYLON ,GLASS FIBER FILLED,UL94V-0, COLOR: BLACK,
(b) POLYESTER , GLASS FIBER FILLED,UL94V-0, COLOR: WHITE,
TERMINAL : PHOSPHOR BRONZE
METAL SHELL : COPPER ALLOY

2. PLATING :

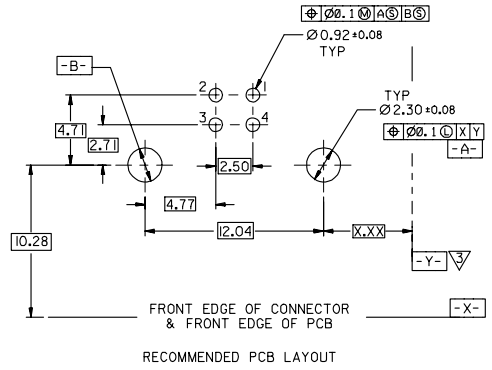
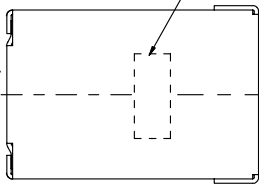
TERMINAL :
CONTACT AREA : (a) GOLD FLASH.
(b) GLD (Au), THICKNESS = 30 MICROINCH MINIMUM .
/0.76 MICROMETER MINIMUM.
SOLDER TAIL :
PURE TIN(Sn) THICKNESS= 75 MICROINCH MINIMUM .
/1.9 MICROMETER MINIMUM.
UNDER PLATE : NICKEL (Ni), THICKNESS= 50 MICROINCH MINIMUM .
/1.27 MICROMETER MINIMUM.
METAL SHELL :
PURE TIN(Sn) , THICKNESS= 50 MICROINCH MINIMUM .
/1.27 MICROMETER MINIMUM.
UNDER PLATE : NICKEL (Ni) , THICKNESS= 50 MICROINCH MINIMUM .
/1.27 MICROMETER MINIMUM.

▽ DATUM AND BASIC DIMENSIONS ESTABLISHED BY CUSTOMER

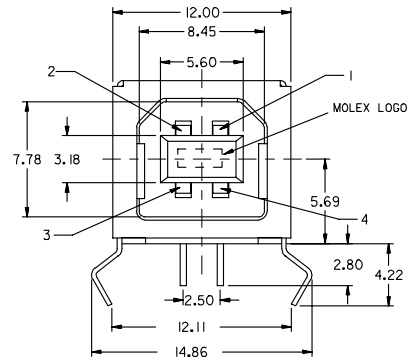
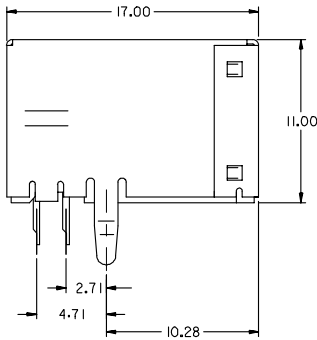
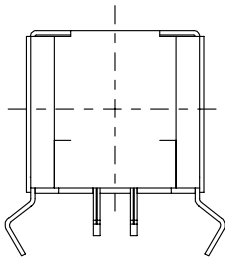
RECOMMENDED PCB THICKNESS : 1.60±0.05

4 PRODUCT SPECIFICATION : REFER TO PS-67998-0000

MOLEX ID OF MFG PLANT CODE



RECOMMENDED PCB LAYOUT



PART NUMBER LEGEND:

67068-

8 : BLACK HOUSING
9 : WHITE HOUSING
0 : TRAY PACKAGING
1 : TUBE PACKAGING

0 : GOLD FLASH
1 : 0.76 MICROMETER/30 MICROINCH GOLD
KINK TYPE BOARD LOCK

NEW RELEASE
EC NO: SH2005-0142
DRWN: DAVID HU 2004/11/05
CHKD: HARVEY 2004/11/05
APPR: YIYAP 2004/11/05

QUALITY SYMBOLS
▽=0
▽=0

GENERAL TOLERANCES (UNLESS SPECIFIED)	
	mm
4 PLACES	± 0.25
3 PLACES	± 0.25
2 PLACES	± 0.25
1 PLACE	± 0.25
ANGULAR ± 3°	

DIMENSION STYLE	
MM ONLY	
DRAWN BY	DATE
DAVID HU	2004/11/05
CHECKED BY	DATE
HARVEY	2004/11/05
APPROVED BY	DATE
MATERIAL NO.	
SEE NOTES	

SCALE	DESIGN UNITS	THIRD ANGLE PROJECTION
4:1	METRIC	☉
TITLE		
USB B TYPE CONNECTOR		
KINK TYPE BOARD LOCK		
(LEAD-FREE)		
MOLEX INCORPORATED		
DOCUMENT NO.		SHEET NO.
SD-67068-003		1 OF 4

DRAFT WHERE APPLICABLE
MUST REMAIN
WITHIN DIMENSIONS

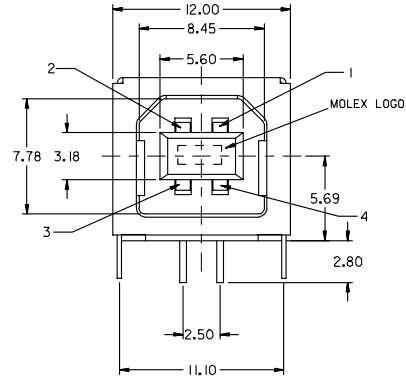
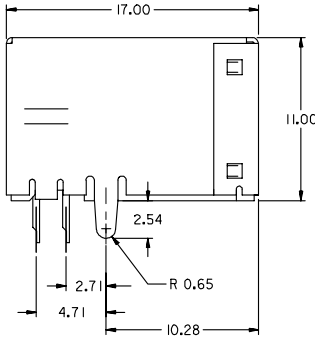
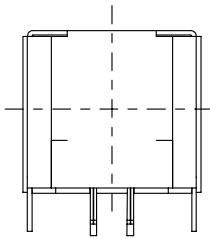
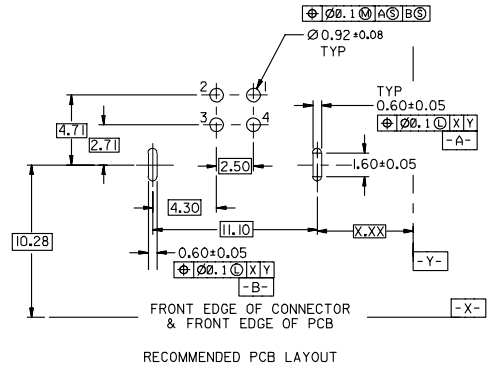
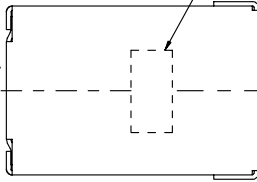
THIS DRAWING CONTAINS INFORMATION THAT IS PROPRIETARY TO MOLEX INCORPORATED AND SHOULD NOT BE USED WITHOUT WRITTEN PERMISSION

Contact us: sales@integrated-circuit.com Website: www.integrated-circuit.com

NOTES :

1. MATERIAL :
HOUSING : (a) HIGH TEMP. NYLON, GLASS FIBER FILLED,UL94V-0, COLOR: BLACK,
(b) POLYESTER , GLASS FIBER FILLED,UL94V-0, COLOR: WHITE,
TERMINAL : PHOSPHOR BRONZE
METAL SHELL : COPPER ALLOY
2. PLATING :
TERMINAL :
CONTACT AREA : (a) GOLD FLASH.
(b) GLOD (Au), THICKNESS = 30 MICRON INCH MINIMUM .
/0.76 MICROMETER MINIMUM.
SOLDER TAIL :
PURE TIN(Sn) THICKNESS= 75 MICRON INCH MINIMUM .
/1.9 MICROMETER MINIMUM.
UNDER PLATE : NICKEL (Ni), THICKNESS= 50 MICRON INCH MINIMUM .
/1.27 MICROMETER MINIMUM.
METAL SHELL :
PURE TIN(Sn) THICKNESS= 50 MICRON INCH MINIMUM .
/1.27 MICROMETER MINIMUM.
UNDER PLATE : NICKEL (Ni) , THICKNESS= 50 MICRON INCH MINIMUM .
/1.27 MICROMETER MINIMUM.
- 3 DATUM AND BASIC DIMENSIONS ESTABLISHED BY CUSTOMER
RECOMMENDED PCB THICKNESS : 1.60±0.05
- 4 PRODUCT SPECIFICATION : REFER TO PS-67998-0000

MOLEX ID OF MFG PLANT CODE



PART NUMBER LEGEND:

67068- * *

- 8 : BLACK HOUSING
- 9 : WHITE HOUSING
- 0 : TRAY PACKAGING
- 1 : TUBE PACKAGING
- 0 : GOLD FLASH
- 1 : 0.76 MICROMETER/30 MICRON INCH GOLD
- : STRAIGHT TAB

NEW RELEASE EC NO: SH2005-0142 DRWN: DAVID HU 2004/11/05 CHKD: HARVEY 2004/11/25 APPR: YIYAP	QUALITY SYMBOLS ▽=0 ▽=0	GENERAL TOLERANCES (UNLESS SPECIFIED) <table border="1"> <thead> <tr> <th></th> <th>mm</th> <th>INCH</th> </tr> </thead> <tbody> <tr> <td>4 PLACES</td> <td>±---</td> <td>±---</td> </tr> <tr> <td>3 PLACES</td> <td>±---</td> <td>±---</td> </tr> <tr> <td>2 PLACES</td> <td>±0.25</td> <td>±---</td> </tr> <tr> <td>1 PLACE</td> <td>±0.25</td> <td>±---</td> </tr> </tbody> </table> ANGULAR ± 3 °		mm	INCH	4 PLACES	±---	±---	3 PLACES	±---	±---	2 PLACES	±0.25	±---	1 PLACE	±0.25	±---	DIMENSION STYLE MM ONLY	SCALE 4:1	DESIGN UNITS METRIC	THIRD ANGLE PROJECTION
		mm	INCH																		
	4 PLACES	±---	±---																		
	3 PLACES	±---	±---																		
2 PLACES	±0.25	±---																			
1 PLACE	±0.25	±---																			
DRAWN BY DAVID HU	DATE 2004/11/05	TITLE USB B TYPE CONNECTOR WITH STRAIGHT TAB (LEAD-FREE)	CHECKED BY HARVEY	DATE 2004/11/05	MOLEX INCORPORATED	SHEET NO. 2															
MATERIAL NO. SEE NOTES	DOCUMENT NO. SD-67068-003	THIS DRAWING CONTAINS INFORMATION THAT IS PROPRIETARY TO MOLEX INCORPORATED AND SHOULD NOT BE USED WITHOUT WRITTEN PERMISSION																			
SIZE A3	DRAFT WHERE APPLICABLE MUST REMAIN WITHIN DIMENSIONS																				

Contact us: sales@integratedcircuit.com Website: www.integrated-circuit.com

NOTES :
1. MATERIAL :
HOUSING : (a) HIGH TEMP. NYLON, GLASS FIBER FILLED, UL94V-0, COLOR: BLACK,

TERMINAL : PHOSPHOR BRONZE
METAL SHELL : COPPER ALLOY

2. PLATING :

TERMINAL :
CONTACT AREA : (a) GOLD FLASH.
(b) GLD (Au), THICKNESS = 30 MICROINCH MINIMUM.
/0.76 MICROMETER MINIMUM.

SOLDER TAIL :
PURE TIN(Sn) THICKNESS= 75 MICROINCH MINIMUM .
/1.9 MICROMETER MINIMUM.

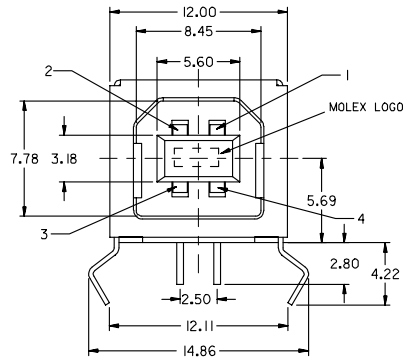
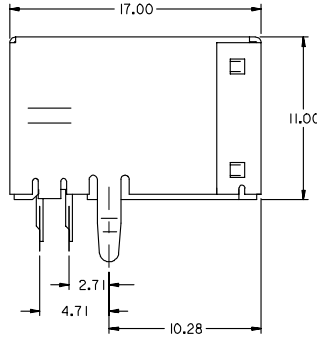
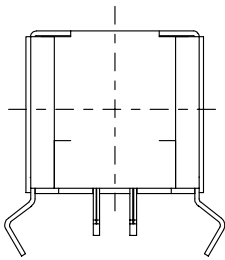
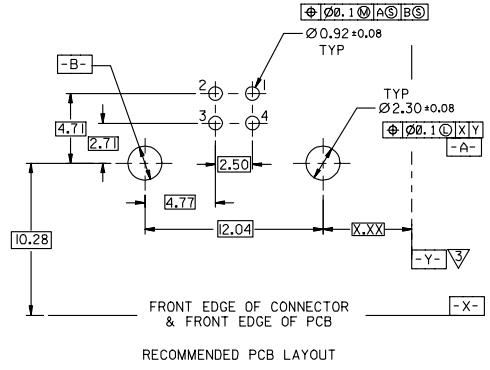
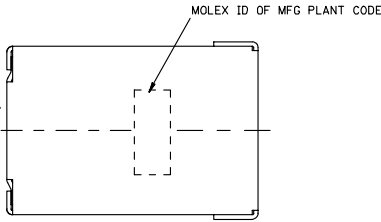
UNDER PLATE : NICKEL (Ni), THICKNESS= 50 MICROINCH MINIMUM.
/1.27 MICROMETER MINIMUM.

METAL SHELL :
PURE TIN(SN), THICKNESS= 50 MICROINCH MINIMUM.
/1.27 MICROMETER MINIMUM.

UNDER PLATE : NICKEL (Ni), THICKNESS= 50 MICROINCH MINIMUM.
/1.27 MICROMETER MINIMUM.

▽ DATUM AND BASIC DIMENSIONS ESTABLISHED BY CUSTOMER
RECOMMENDED PCB THICKNESS : L60±0.05

4 PRODUCT SPECIFICATION : REFER TO PS-67998-0000



PART NUMBER LEGEND:

67068- 7041

				MATERIAL : SEE NOTES		 MOLEX TAIWAN LTD. SHEET 3 OF 4
				FINISH : SEE NOTES		
				WIRE RANGE :		GENERAL TOLERANCES ANGLE : ± 3° DIM : ± .25/.010 ENG. NO.: SD-67068-003
				INS. RANGE :		
A	NEW RELEASE FOR LEAD-FREE	DAVID HU	2004/11/5	DRAWN BY 2004/11/5		REV A
LTR	REVISION RECORD	ECN	DR	DATE	CHK'D BY	TITLE : HIGH TEMP USB B TYPE CONNECTOR KIN TYPE BOARD LOCK (LEAD-FREE)
				APPR'D BY	SCALE	4 : 1

THIS DRAWING CONTAINS INFORMATION THAT IS PROPRIETARY TO MOLEX (FEM) AND SHOULD NOT BE USED WITHOUT WRITTEN PERMISSION

MXT , S_a - 13

ENG. NO.

EDP NO.

SIMILAR ITEM

CAD FILE :

DO NOT SCALE DRAWING

