



**Distributor of Molex Connector Corporation: Excellent Integrated System Limited**  
Datasheet of 0670689011 - Connector Receptacle USB TypeB 4 Position Through Hole, Right  
Angle, Horizontal

Contact us: [sales@integrated-circuit.com](mailto:sales@integrated-circuit.com) Website: [www.integrated-circuit.com](http://www.integrated-circuit.com)

---

## **Excellent Integrated System Limited**

Stocking Distributor

Click to view price, real time Inventory, Delivery & Lifecycle Information:

[Molex Connector Corporation](#)  
[0670689011](#)

For any questions, you can email us directly:  
[sales@integrated-circuit.com](mailto:sales@integrated-circuit.com)

Contact us: [sales@integrated-circuit.com](mailto:sales@integrated-circuit.com) Website: [www.integrated-circuit.com](http://www.integrated-circuit.com)

NOTES :

1. MATERIAL :  
HOUSING : (a) HIGH TEMP. NYLON ,GLASS FIBER FILLED,UL94V-0, COLOR: BLACK,  
(b) POLYESTER , GLASS FIBER FILLED,UL94V-0, COLOR: WHITE,  
TERMINAL : PHOSPHOR BRONZE  
METAL SHELL : COPPER ALLOY

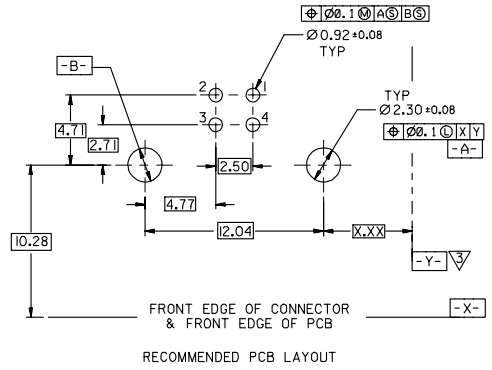
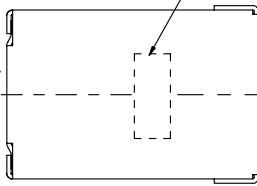
2. PLATING :

TERMINAL :  
CONTACT AREA : (a) GOLD FLASH.  
(b) GLD (Au), THICKNESS = 30 MICROINCH MINIMUM .  
/0.76 MICROMETER MINIMUM.  
SOLDER TAIL :  
PURE TIN(Sn) THICKNESS= 75 MICROINCH MINIMUM .  
/1.9 MICROMETER MINIMUM.  
UNDER PLATE : NICKEL (Ni), THICKNESS= 50 MICROINCH MINIMUM .  
/1.27 MICROMETER MINIMUM.  
METAL SHELL :  
PURE TIN(Sn) , THICKNESS= 50 MICROINCH MINIMUM .  
/1.27 MICROMETER MINIMUM.  
UNDER PLATE : NICKEL (Ni) , THICKNESS= 50 MICROINCH MINIMUM .  
/1.27 MICROMETER MINIMUM.

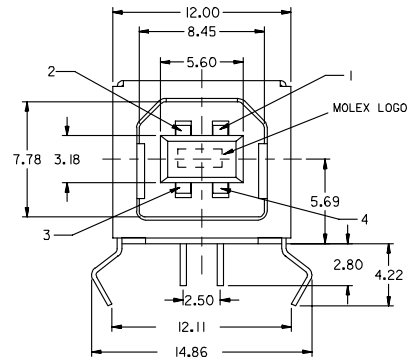
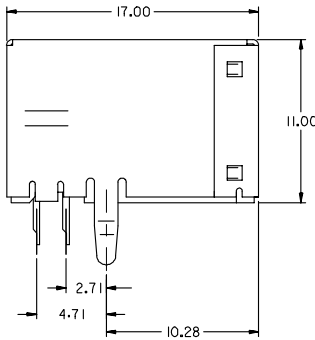
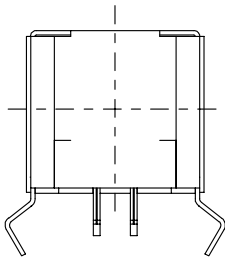
▽ DATUM AND BASIC DIMENSIONS ESTABLISHED BY CUSTOMER  
RECOMMENDED PCB THICKNESS : 1.60±0.05

4 PRODUCT SPECIFICATION : REFER TO PS-67998-0000

MOLEX ID OF MFG PLANT CODE



RECOMMENDED PCB LAYOUT



PART NUMBER LEGEND:

67068- \* \* 0 \*  
8 : BLACK HOUSING  
9 : WHITE HOUSING  
0 : TRAY PACKAGING  
1 : TUBE PACKAGING  
0 : GOLD FLASH  
1 : 0.76 MICROMETER/30 MICROINCH GOLD  
KINK TYPE BOARD LOCK

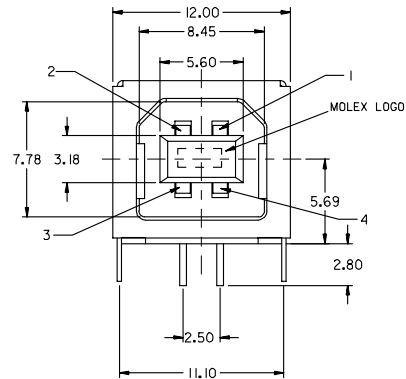
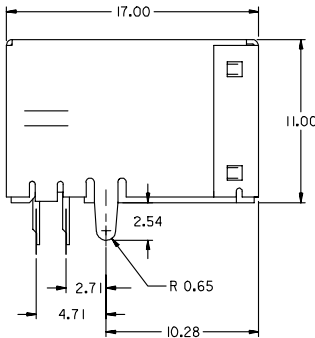
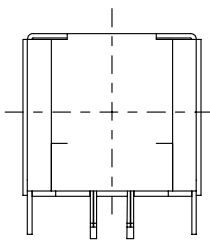
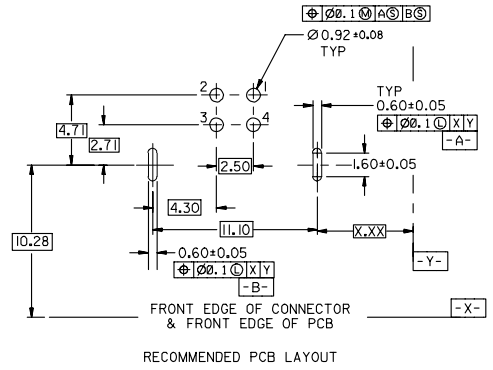
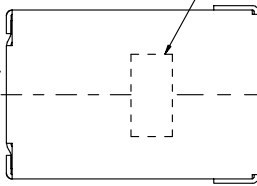
NEW RELEASE EC NO: SH2005-0142 DRWN: DAVID HU 2004/11/05 CHKD:HARVEY 2004/11/05 APPR:YIYAP 2004/11/05	QUALITY SYMBOLS	GENERAL TOLERANCES (UNLESS SPECIFIED)	DIMENSION STYLE MM ONLY	SCALE 4:1	DESIGN UNITS METRIC	THIRD ANGLE PROJECTION
	▽=0	4 PLACES ± --- ± --- 3 PLACES ± --- ± --- 2 PLACES ± 0.25 ± --- 1 PLACE ± 0.25 ± ---	mm INCH	DRAWN BY DAVID HU	DATE 2004/11/05	TITLE USB B TYPE CONNECTOR KINK TYPE BOARD LOCK (LEAD-FREE)
	▽=0	ANGULAR ± 3 °		CHECKED BY HARVEY	DATE 2004/11/05	
		DRAFT WHERE APPLICABLE MUST REMAIN WITHIN DIMENSIONS		APPROVED BY	DATE	
REV			MATERIAL NO. SEE NOTES	DOCUMENT NO. SD-67068-003		SHEET NO. 1 OF 4
			Molex INCORPORATED THIS DRAWING CONTAINS INFORMATION THAT IS PROPRIETARY TO MOLEX INCORPORATED AND SHOULD NOT BE USED WITHOUT WRITTEN PERMISSION			

Contact us: [sales@integrated-circuit.com](mailto:sales@integrated-circuit.com) Website: [www.integrated-circuit.com](http://www.integrated-circuit.com)

NOTES :

1. MATERIAL :  
HOUSING : (a) HIGH TEMP. NYLON, GLASS FIBER FILLED,UL94V-0, COLOR: BLACK,  
(b) POLYESTER ,GLASS FIBER FILLED,UL94V-0, COLOR: WHITE,  
TERMINAL : PHOSPHOR BRONZE  
METAL SHELL : COPPER ALLOY
2. PLATING :  
TERMINAL :  
CONTACT AREA : (a) GOLD FLASH.  
(b) GLOD (Au), THICKNESS = 30 MICRON INCH MINIMUM .  
/0.76 MICROMETER MINIMUM.  
SOLDER TAIL :  
PURE TIN(Sn) THICKNESS= 75 MICRON INCH MINIMUM .  
/1.9 MICROMETER MINIMUM.  
UNDER PLATE : NICKEL (Ni), THICKNESS= 50 MICRON INCH MINIMUM .  
/1.27 MICROMETER MINIMUM.  
METAL SHELL :  
PURE TIN(Sn) THICKNESS= 50 MICRON INCH MINIMUM .  
/1.27 MICROMETER MINIMUM.  
UNDER PLATE : NICKEL (Ni) , THICKNESS= 50 MICRON INCH MINIMUM .  
/1.27 MICROMETER MINIMUM.
- 3 DATUM AND BASIC DIMENSIONS ESTABLISHED BY CUSTOMER  
RECOMMENDED PCB THICKNESS : 1.60±0.05
- 4 PRODUCT SPECIFICATION : REFER TO PS-67998-0000

MOLEX ID OF MFG PLANT CODE



PART NUMBER LEGEND:

- 67068- \* \* | \* \*
- 8 : BLACK HOUSING
  - 9 : WHITE HOUSING
  - 0 : TRAY PACKAGING
  - 1 : TUBE PACKAGING
  - 0 : GOLD FLASH
  - 1 : 0.76 MICROMETER/30 MICRON INCH GOLD
  - : STRAIGHT TAB

NEW RELEASE EC NO: SH2005-0142 DRWN: DAVID HU 2004/11/05 CHKD: HARVEY 2004/11/25 APPR: YIYAP	QUALITY SYMBOLS ▽=0 ▽=0	GENERAL TOLERANCES (UNLESS SPECIFIED) <table border="1"> <thead> <tr> <th></th> <th>mm</th> <th>INCH</th> </tr> </thead> <tbody> <tr> <td>4 PLACES</td> <td>±---</td> <td>±---</td> </tr> <tr> <td>3 PLACES</td> <td>±---</td> <td>±---</td> </tr> <tr> <td>2 PLACES</td> <td>±0.25</td> <td>±---</td> </tr> <tr> <td>1 PLACE</td> <td>±0.25</td> <td>±---</td> </tr> </tbody> </table> ANGULAR ± 3 °		mm	INCH	4 PLACES	±---	±---	3 PLACES	±---	±---	2 PLACES	±0.25	±---	1 PLACE	±0.25	±---	DIMENSION STYLE MM ONLY	SCALE 4:1	DESIGN UNITS METRIC	THIRD ANGLE PROJECTION
		mm	INCH																		
	4 PLACES	±---	±---																		
	3 PLACES	±---	±---																		
2 PLACES	±0.25	±---																			
1 PLACE	±0.25	±---																			
DRAWN BY DAVID HU	DATE 2004/11/05	TITLE USB B TYPE CONNECTOR WITH STRAIGHT TAB (LEAD-FREE)	CHECKED BY DATE 2004/11/05	APPROVED BY DATE	Molex MOLEX INCORPORATED	SHEET NO. 2															
MATERIAL NO. SEE NOTES	DOCUMENT NO. SD-67068-003	DRAFT WHERE APPLICABLE MUST REMAIN WITHIN DIMENSIONS																			
SIZE A3	THIS DRAWING CONTAINS INFORMATION THAT IS PROPRIETARY TO MOLEX INCORPORATED AND SHOULD NOT BE USED WITHOUT WRITTEN PERMISSION																				

Contact us: [sales@integratedcircuit.com](mailto:sales@integratedcircuit.com) Website: [www.integrated-circuit.com](http://www.integrated-circuit.com)

NOTES :  
1. MATERIAL :  
HOUSING : (a) HIGH TEMP. NYLON, GLASS FIBER FILLED, UL94V-0, COLOR: BLACK,

TERMINAL : PHOSPHOR BRONZE  
METAL SHELL : COPPER ALLOY

2. PLATING :

TERMINAL :  
CONTACT AREA : (a) GOLD FLASH.  
(b) GLD (Au), THICKNESS = 30 MICROINCH MINIMUM.  
/0.76 MICROMETER MINIMUM.

SOLDER TAIL :  
PURE TIN(Sn) THICKNESS= 75 MICROINCH MINIMUM .  
/1.9 MICROMETER MINIMUM.

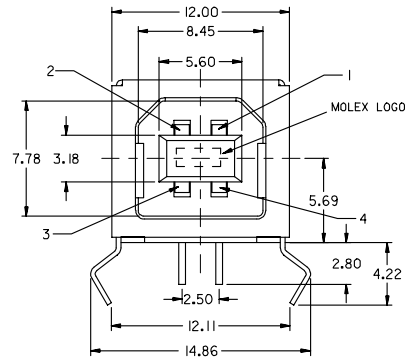
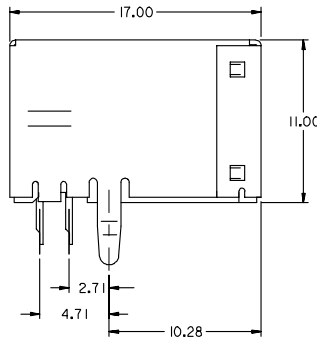
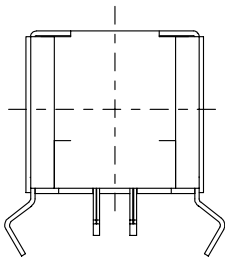
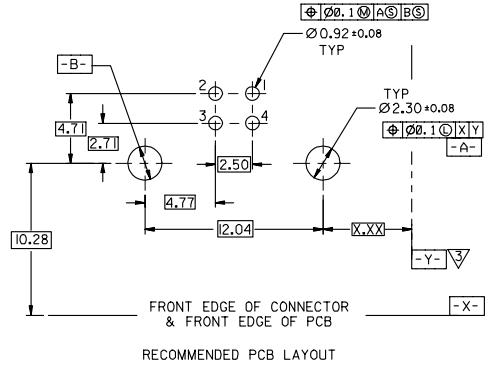
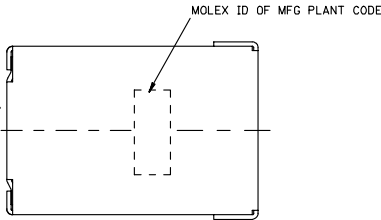
UNDER PLATE : NICKEL (Ni), THICKNESS= 50 MICROINCH MINIMUM.  
/1.27 MICROMETER MINIMUM.

METAL SHELL :  
PURE TIN(SN), THICKNESS= 50 MICROINCH MINIMUM.  
/1.27 MICROMETER MINIMUM.

UNDER PLATE : NICKEL (Ni), THICKNESS= 50 MICROINCH MINIMUM.  
/1.27 MICROMETER MINIMUM.

▽ DATUM AND BASIC DIMENSIONS ESTABLISHED BY CUSTOMER  
RECOMMENDED PCB THICKNESS : L60±0.05

4 PRODUCT SPECIFICATION : REFER TO PS-67998-0000



PART NUMBER LEGEND:

67068- 7041

				MATERIAL : SEE NOTES		 MOLEX TAIWAN LTD. SHEET 3 OF 4
				FINISH : SEE NOTES		
				WIRE RANGE :		GENERAL TOLERANCES ANGLE : ± 3° DIM : ± .25/.010 ENG. NO.: SD-67068-003
				INS. RANGE :		
A NEW RELEASE FOR LEAD-FREE LTR REVISION RECORD ECN DR DATE				DAVID HU 2004/11/5 DRAWN BY 2004/11/5 DAVID HU		TITLE : HIGH TEMP USB B TYPE CONNECTOR (KIN TYPE BOARD LOCK LEAD-FREE)
REVISE ONLY ON CAD SYSTEM				APPR'D BY SCALE 4 : 1		

THIS DRAWING CONTAINS INFORMATION THAT IS PROPRIETARY TO MOLEX (FEM) AND SHOULD NOT BE USED WITHOUT WRITTEN PERMISSION

MXT , S<sub>a</sub> - 13

ENG. NO.

EDP NO.

SIMILAR ITEM

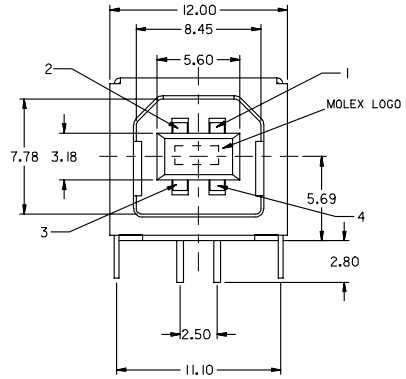
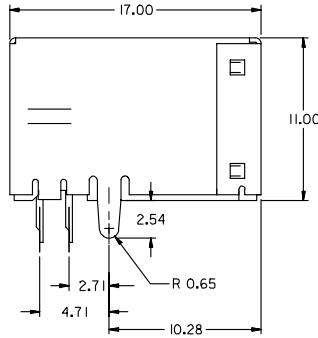
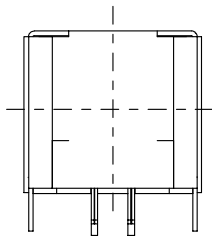
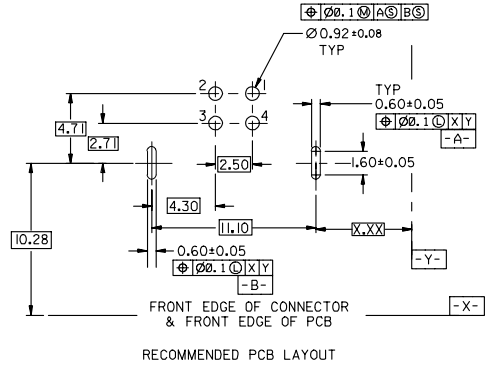
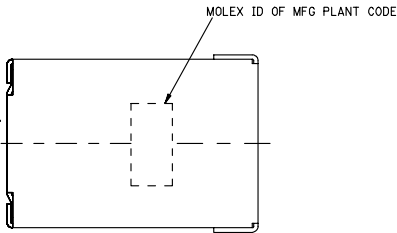
CAD FILE :

DO NOT SCALE DRAWING

Contact us: [sales@integratedcircuit.com](mailto:sales@integratedcircuit.com) Website: [www.integrated-circuit.com](http://www.integrated-circuit.com)

ENG. NO. SDA-67068-0000  
EDP NO.  
SIMILAR ITEM  
CAD FILE : \_SET06802

- NOTES :**
- MATERIAL :**  
HOUSING : (a) HIGH TEMP. NYLON, GLASS FIBER FILLED, UL94V-0, COLOR: BLACK,  
TERMINAL : PHOSPHOR BRONZE  
METAL SHELL : COPPER ALLOY
  - PLATING :**  
TERMINAL :  
CONTACT AREA : (a) GOLD FLASH.  
(b) GLOD (Au), THICKNESS = 30 MICROINCH MINIMUM,  
/0.76 MICROMETER MINIMUM.  
SOLDER TAIL : PURE TIN(Sn) THICKNESS= 75 MICROINCH MINIMUM,  
/1.9 MICROMETER MINIMUM.  
UNDER PLATE : NICKEL (Ni), THICKNESS= 50 MICROINCH MINIMUM,  
/1.27 MICROMETER MINIMUM.  
METAL SHELL :  
PURE TIN(SN) THICKNESS= 50 MICROINCH MINIMUM,  
/1.27 MICROMETER MINIMUM.  
UNDER PLATE : NICKEL (Ni), THICKNESS= 50 MICROINCH MINIMUM,  
/1.27 MICROMETER MINIMUM.
  - DATUM AND BASIC DIMENSIONS ESTABLISHED BY CUSTOMER**  
RECOMMENDED PCB THICKNESS : L60±0.05
  - PRODUCT SPECIFICATION : REFER TO PS-67998-0000**



PART NUMBER LEGEND:

67068- 7051

				MATERIAL : SEE NOTES		MOLEX TAIWAN LTD. SHEET 4 OF 4
				FINISH : SEE NOTES		
				WIRE RANGE :		GENERAL TOLERANCES ANGLE : ± 3° DIM : ± .25/.010 ENG. NO.: SD-67068-003 REV A
				INS. RANGE :		
A	NEW RELEASE FOR LEAD-FREE	DAVID HU	2004/11/5	DRAWN BY 2004/11/5 DAVID HU		TITLE : HIGH TEMP USB B TYPE CONNECTOR WITH STRAIGHT TAB (LEAD-FREE)
LTR	REVISION RECORD	ECN	DR	DATE	CHK'D BY	
REVISE ONLY ON CAD SYSTEM				APPR'D BY	SCALE	

THIS DRAWING CONTAINS INFORMATION THAT IS PROPRIETARY TO MOLEX (FEM) AND SHOULD NOT BE USED WITHOUT WRITTEN PERMISSION

MXT , S<sub>a</sub> - 13

DO NOT SCALE DRAWING