



Distributor of Molex Connector Corporation: Excellent Integrated System Limited
Datasheet of 0673298031 - Connector Receptacle USB TypeA 4 Position Through Hole, Right
Angle, Vertical

Contact us: sales@integrated-circuit.com Website: www.integrated-circuit.com

Excellent Integrated System Limited

Stocking Distributor

Click to view price, real time Inventory, Delivery & Lifecycle Information:

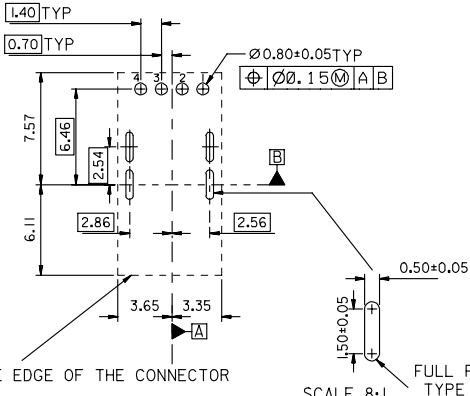
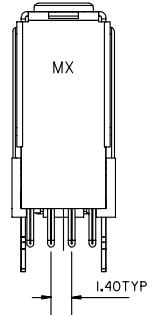
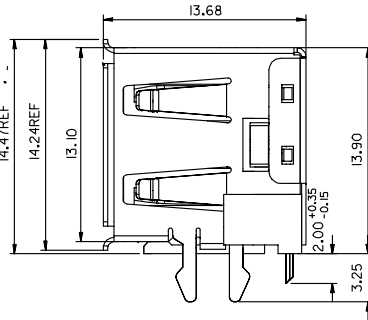
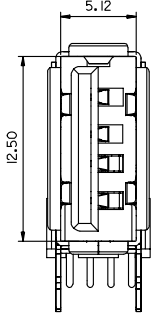
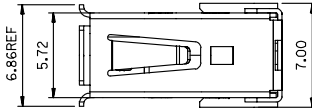
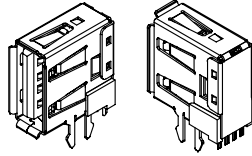
[Molex Connector Corporation](#)
[0673298031](#)

For any questions, you can email us directly:
sales@integrated-circuit.com

Contact us: sales@integrated-circuit.com Website: www.integrated-circuit.com

NOTES :

1. MATERIAL :
 HOUSING : HIGH TEMPERATURE NYLON ,GLASS FIBER, UL94-V0 , COLOR: BLACK
 TERMINAL : PHOSPHOR BRONZE(PH6P), C5100 EH, PER ES-124-E108
 METAL SHELL : COPPER ALLOY
2. PLATING :
 TERMINAL :
 CONTACT AREA : (a) GOLD FLASH,
 (b) GLOD (Au), THICKNESS = 30 MICROINCH/0.76 MICROMETER
 SOLDER TAIL : PURE TIN(Sn),
 THICKNESS= 75 MICROINCH /1.9 MICROMETER
 UNDER PLATE : NICKEL (Ni), THICKNESS= 50 MICROINCH/1.27 MICROMETER
 METAL SHELL :
 PURE TIN(Sn), THICKNESS=50-100MICROINCH /127-254MICROMETER.
 UNDER PLATE : NICKEL (Ni), THICKNESS= 50 MICROINCH/1.27 MICROMETER
- 3 SURFACE APPEARANCE :BRIGHT
- 3 RECOMMENDED PCB THICKNESS : 1.20±0.05 mm.
- 4 PRODUCT SPECIFICATION : REFER TO PS-89485
- 5 PACKAGING SPECIFICATION : REFER TO PS-67329-001



PART NUMBER LEGEND:

P/N	CONTACT PLATING
67329-8030	GOLD FLASH
67329-8031	0.76 MICROMETER/30 MICROINCH GOLD

NEW RELEASE EC NO: 2005/12/08 DRAWN: JIANHUIPING CHKD: HARVEY APPR: HWANG 2006/01/10 2006/01/10	DESCRIPTION	QUALITY SYMBOLS	GENERAL TOLERANCES (UNLESS SPECIFIED)		DIMENSION STYLE MM ONLY		SCALE 4:1	DESIGN UNITS METRIC	THIRD ANGLE PROJECTION
		▽=0	4 PLACES ± ---	± ---	DRAWN BY QIANHUIPING	DATE 2005/12/09	TITLE USB A UPRIGHT CONN. FLANGE OUT TYPE WITH FORK LOCK LEAD-FREE		
		▽=0	3 PLACES ± ---	± ---	CHECKED BY HARVEY	DATE 2005/12/09			
			2 PLACES ± 0.15	± ---	APPROVED BY GARY	DATE 2005/12/09	MATERIAL NO. 67329-803*	DOCUMENT NO. SD-67329-808	SHEET NO. 1 OF 1
DRAFT WHERE APPLICABLE MUST REMAIN WITHIN DIMENSIONS			ANGULAR ± 3 °		MOLEX INCORPORATED				