



Distributor of Molex Connector Corporation: Excellent Integrated System Limited
Datasheet of 0676430990 - Connector Receptacle USB TypeA 4 Position Through Hole, Right
Angle, Horizontal

Contact us: sales@integrated-circuit.com Website: www.integrated-circuit.com

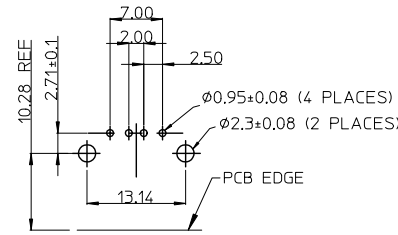
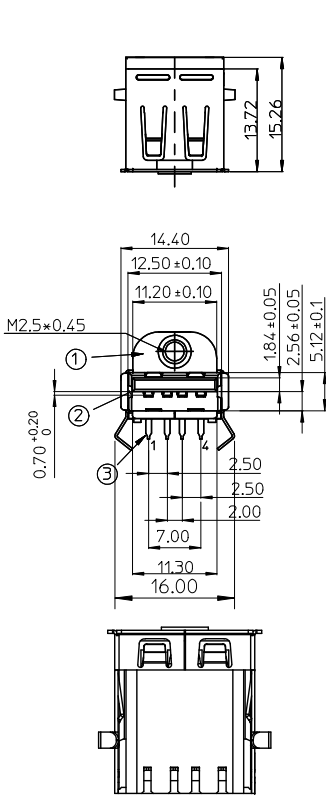
Excellent Integrated System Limited

Stocking Distributor

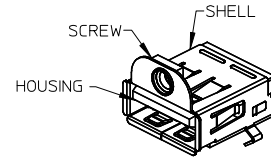
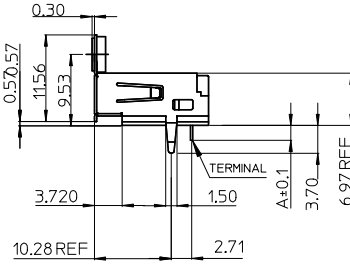
Click to view price, real time Inventory, Delivery & Lifecycle Information:

[Molex Connector Corporation](#)
[0676430990](#)

For any questions, you can email us directly:
sales@integrated-circuit.com



PCB LAYOUT (BOTTOM VIEW)



NOTES:

- MATERIAL:
 - ① METAL SHELL: COPPER ALLOY, SCREW: BRASS
 - ② HOUSING: SEE CHART, 30% GLASS FIBER FILLES, UL94-V0.
 - ③ TERMINAL: PHOSPHOR BRONZE
- PLATING:
 - TERMINAL: CONTACT AREA: (a) GOLD FLASH, (b) GOLD (Au), THICKNESS=0.76 μM/30μINCH MINIMUM.
 - SOLDER TAIL: TIN PLATED, THICKNESS=1.875 μM/75μINCH MINIMUM.
 - UNDER PLATED: NICKEL (Ni), THICKNESS=1.25 μM/50μINCH MINIMUM.
 - METAL SHELL: SEE CHART.
- RECOMMENDED PCB THICKNESS: SEE CHART
- PRODUCT SPECIFICATION: FOR IR REFER TO PS-67643-002 FOR NON IR REFER TO PS-67643-003
- TORQUE FORCE SPEC: 2.50kg-cm Min, MEASURED AT BROKEN POINT.
- TEST SUMMARY: FOR IR REFER TO TS-67643-002 FOR NON IR REFER TO TS-67643-003
- PACKAGE: REFER TO PK-67643-002
- LEAD FREE AND ROHS COMPLIANCE PRODUCT

REVISED EC NO: DRW: FANG05 CHKD: APPR:	DESCRIPTION 2013/05/09	QUALITY SYMBOLS ▽=0 ◻=0	GENERAL TOLERANCES (UNLESS SPECIFIED)		DIMENSION STYLE MM ONLY		SCALE 1:1	DESIGN UNITS METRIC	THIRD ANGLE PROJECTION
			mm	INCH	DRAWN BY IVY-LIN	DATE 2005/04/01	TITLE USB A TYPE RCPT SGL RA THRHOLE WITH UPPER FLG (LEAD-FREE VERSION)		
DRAFT WHERE APPLICABLE MUST REMAIN WITHIN DIMENSIONS			4 PLACES	± ---	± ---	CHECKED BY ALL IN	DATE 2005/04/01	MATERIAL NO. SEE SHEET 2	
			3 PLACES	± ---	± ---	APPROVED BY WWSCHANG	DATE 2005/04/01		
			2 PLACES	± 0.25	± ---	MATERIAL NO. SEE SHEET 2			
			1 PLACE	± 0.25	± ---	MATERIAL NO. SEE SHEET 2			
			ANGULAR ± 3°		MATERIAL NO. SEE SHEET 2				

7

Contact us: sales@integrated-circuit.com Website: www.integrated-circuit.com

1

P/N	HOUSING MATERIAL	COLOR	CONTACT PLATING	METAL SHELL PLATING	REMARK
67643-0990	POLYESTER	BLACK	GOLD FLSAH	IR REFLOW PROCESS MATTE TIN PLATED AT SOLDER AREA THICKNESS=2.54 μM/100μMCH UNDER PLATE:NICKEL (Ni),(SOLDERING AVAILABLE)	NON IR REFLOW PROCESS
67643-1990	POLYESTER	WHITE			FOR IR REFLOW PROCESS
67643-2990	HIGH TEMPERATURE NYLON	BLACK			FOR IR REFLOW PROCESS
67643-3990	HIGH TEMPERATURE NYLON	WHITE			FOR IR REFLOW PROCESS
67643-0991	POLYESTER	BLACK	GOLD PLATING	NON IR REFLOW PROCESS: MATTE TIN PLATED. THICKNESS=2.00 μM/80μMCH UNDER PLATE:NICKEL (Ni).	NON IR REFLOW PROCESS
67643-1991	POLYESTER	WHITE	0.76 μM/30μMCH		FOR IR REFLOW PROCESS
67643-2991	HIGH TEMPERATURE NYLON	BLACK			FOR IR REFLOW PROCESS
67643-3991	HIGH TEMPERATURE NYLON	WHITE			FOR IR REFLOW PROCESS
PCB THICKNESS		1.60±0.05			
DIMENSION *A*		2.60			

P/N	HOUSING MATERIAL	COLOR	CONTACT PLATING	METAL SHELL PLATING	REMARK
67643-0980	HIGH TEMPERATURE NYLON	BLACK	GOLD FLSAH	IR REFLOW PROCESS MATTE TIN PLATED AT SOLDER AREA THICKNESS=2.54 μM/100μMCH UNDER PLATE:NICKEL (Ni),(SOLDERING AVAILABLE)	FOR IR REFLOW PROCESS
67643-1980	HIGH TEMPERATURE NYLON	WHITE			
67643-0981	HIGH TEMPERATURE NYLON	BLACK	GOLD PLATING		
67643-1981	HIGH TEMPERATURE NYLON	WHITE	0.76 μM/30μMCH		
PCB THICKNESS		1.20±0.05			
DIMENSION *A*		2.00			

REVISED EC NO: DRAWN BY: CHKD: APPR:	2013/05/09	DESCRIPTION	QUALITY SYMBOLS	GENERAL TOLERANCES (UNLESS SPECIFIED)		DIMENSION STYLE		SCALE	DESIGN UNITS	THIRD ANGLE PROJECTION
				mm	INCH	MM ONLY	METRIC			
			▽=0	4 PLACES	± ---	± ---	DRAWN BY	DATE	TITLE USB A TYPE RCPT SGL RA THRHOLE WITH UPPER FLG (LEAD-FREE VERSION)	
			▽=0	3 PLACES	± ---	± ---	IVY-LIN	2005/04/01		
				2 PLACES	± 0.25	± ---	CHECKED BY	DATE	MOLEX INCORPORATED	
				1 PLACE	± 0.25	± ---	ALL IN	2005/04/01		
				ANGULAR ± 3 °			APPROVED BY	DATE	DOCUMENT NO. SD-67643-004	
				DRAFT WHERE APPLICABLE MUST REMAIN WITHIN DIMENSIONS			WWSCHANG	2005/04/01		
							MATERIAL NO.	SHEET NO. 2 OF 2		
							SEE TABLE			
							SIZE	THIS DRAWING CONTAINS INFORMATION THAT IS PROPRIETARY TO MOLEX INCORPORATED AND SHOULD NOT BE USED WITHOUT WRITTEN PERMISSION		
							A4			

tb_frame_A4_P_AM_T
Rev. E 2006/04/15

6

5

4

3

2

1