

Excellent Integrated System Limited

Stocking Distributor

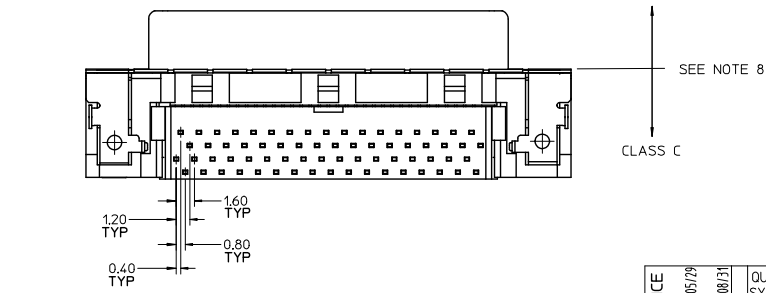
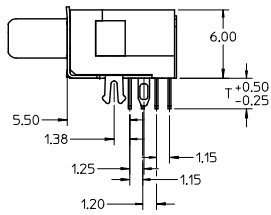
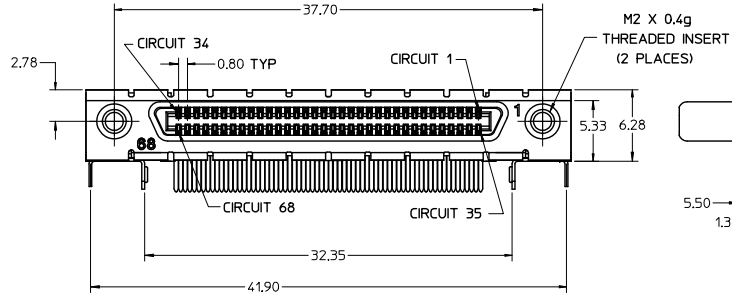
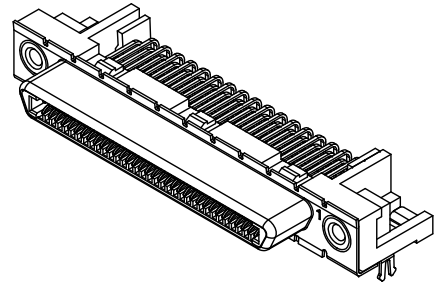
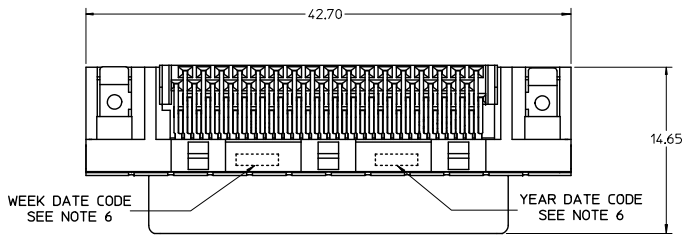
Click to view price, real time Inventory, Delivery & Lifecycle Information:

[Molex Connector Corporation](#)

[0714305009](#)

For any questions, you can email us directly:

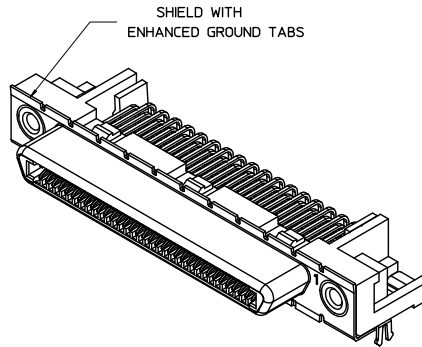
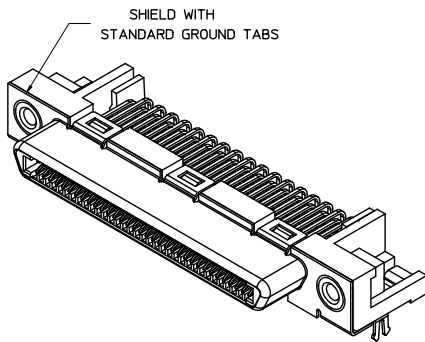
sales@integrated-circuit.com



- NOTES:
1. MATERIALS:
HOUSING: GLASS-FILLED LIQUID CRYSTAL POLYMER (LCP), UL94 V-0, COLOR:BLACK
TAIL ALIGNER: GLASS-FILLED LIQUID CRYSTAL POLYMER (LCP), UL94 V-0, COLOR:BLACK
TERMINAL: PHOSPHOR BRONZE
SHIELD: STEEL
INSERT: BRASS
 2. FINISHES:
TERMINAL: 0.05-0.25 MICROMETERS GOLD FLASH OVER 0.75 MICROMETERS MINIMUM PALLADIUM NICKEL IN THE CRITICAL CONTACT AREA, 1.87 MICROMETERS MINIMUM TIN IN THE SOLDER TAIL AREA, NICKEL UNDERPLATE OVERALL.
SHIELD: 3.8 MICROMETERS MINIMUM BRIGHT TIN OVER NICKEL.
INSERT: 2.54 MICROMETERS MINIMUM NICKEL.
 3. PART PERFORMS TO MOLEX PRODUCT SPECIFICATION PS-71425-9999.
 4. PACKAGE PER PK-71430-0101.
 5. APPLICABLE STANDARDS: EIA-3652 AND SFF-8441.
 6. DATE CODE: YR/WK PER EIA-476-A.
 7. TORQUE TO INSTALL SCREWLOCKS INTO THREADED INSERTS: 0.34 Nm MAXIMUM.
 8. PRODUCT COMPLIES WITH COSMETIC SPECIFICATION PS-45499-002. SEE BOTTOM VIEW FOR SURFACE CLASSIFICATIONS.

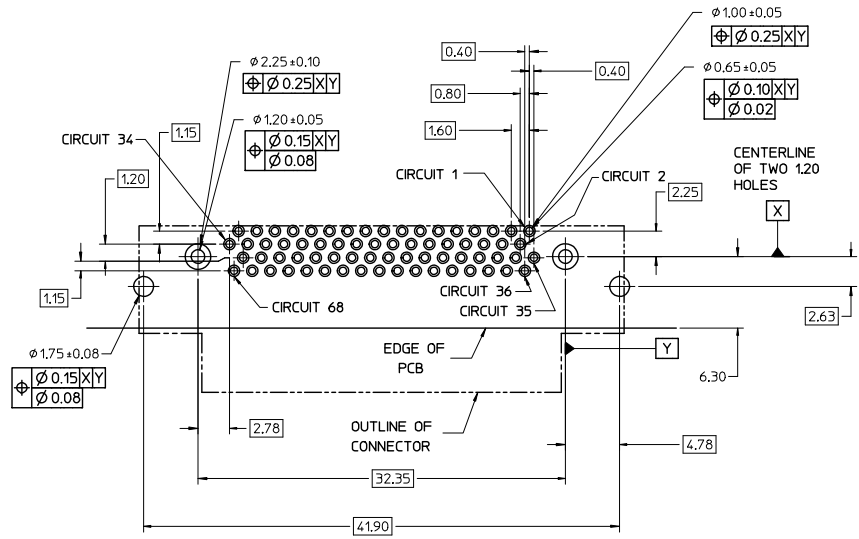
FIX TAIL TOLERANCE EC NO: UCP2012-3896 DRAWN BY: J CHECKED BY: J APPROVED BY: J DATE: 2012/05/29 DATE: 2012/08/31 DESCRIPTION:	QUALITY SYMBOLS	GENERAL TOLERANCES (UNLESS SPECIFIED)	DIMENSION STYLE	SCALE	DESIGN UNITS	THIRD ANGLE PROJECTION
	$\nabla=0$ $\nabla=0$ $\nabla=0$	4 PLACES ± --- ± --- 3 PLACES ± --- ± --- 2 PLACES ± 0.13 ± --- 1 PLACE ± 0.25 ± --- 0 PLACE ± ±	MM ONLY	4:1	METRIC	V THIRD ANGLE PROJECTION
	ANGULAR ±1/2° DRAFT WHERE APPLICABLE MUST REMAIN WITHIN DIMENSIONS	DRAWN BY: RKADAMS CHECKED BY: BBARKER APPROVED BY: SMILLER DATE: 7/12/2004 DATE: 7/12/2004 DATE: 7/12/2004				TITLE: VHDCI RIGHT ANGLE ASSEMBLY molex
	MATERIAL NO. SEE SHEET 2 DOCUMENT NO. SD-71430-016 SHEET NO. 1 OF 3	THIS DRAWING CONTAINS INFORMATION THAT IS PROPRIETARY TO MOLEX INCORPORATED AND SHOULD NOT BE USED WITHOUT WRITTEN PERMISSION				

PCB THICKNESS	PART NUMBER	TAIL LENGTH "T" (SEE FIGURE FOR TOLERANCE)	ENHANCED GROUND TABS	SCREWLOCKS
1.60	71430-9101	2.08	NO	NONE
1.60		2.08	NO	LOOSE IN BAGS
1.60	71430-9005	2.08	YES	NONE
1.60	71430-9008	2.08	YES	LOOSE IN BAGS
2.36		2.71	NO	NONE
2.36	71430-5006	2.71	NO	INSTALLED
2.36	71430-9268	2.71	NO	NONE
2.36	71430-5009	2.71	YES	INSTALLED
2.36		2.71	NO	LOOSE IN BAGS
2.36		2.71	YES	LOOSE IN BAGS



OPTIONAL SCREWLOCK
PART NUMBER 71433-0002

SEE SHEET 1 EC NO: UCF2012-3896 DRAWN BY: CHK/BARKER CHECKED BY: CHK/BARKER APPROVED BY: SMILLER DATE: 2012/05/29 DATE: 2012/08/31 DESCRIPTION: REV	QUALITY SYMBOLS	GENERAL TOLERANCES (UNLESS SPECIFIED)	DIMENSION STYLE	SCALE	DESIGN UNITS	THIRD ANGLE PROJECTION																	
	$\nabla=0$ $\nabla=0$ $\nabla=0$	<table border="1"> <thead> <tr> <th></th> <th>mm</th> <th>INCH</th> </tr> </thead> <tbody> <tr> <td>4 PLACES</td> <td>±---</td> <td>±---</td> </tr> <tr> <td>3 PLACES</td> <td>±---</td> <td>±---</td> </tr> <tr> <td>2 PLACES</td> <td>±0.13</td> <td>±---</td> </tr> <tr> <td>1 PLACE</td> <td>±0.25</td> <td>±---</td> </tr> <tr> <td>0 PLACE</td> <td>±</td> <td>±</td> </tr> </tbody> </table>		mm	INCH	4 PLACES	±---	±---	3 PLACES	±---	±---	2 PLACES	±0.13	±---	1 PLACE	±0.25	±---	0 PLACE	±	±	MM ONLY	4:1	METRIC
	mm	INCH																					
4 PLACES	±---	±---																					
3 PLACES	±---	±---																					
2 PLACES	±0.13	±---																					
1 PLACE	±0.25	±---																					
0 PLACE	±	±																					
	ANGULAR ±1/2°	DRAFT WHERE APPLICABLE MUST REMAIN WITHIN DIMENSIONS	<table border="1"> <thead> <tr> <th>DRAWN BY</th> <th>DATE</th> </tr> </thead> <tbody> <tr> <td>RKADAMS</td> <td>7/12/2004</td> </tr> <tr> <th>CHECKED BY</th> <th>DATE</th> </tr> <tr> <td>BBARKER</td> <td>7/12/2004</td> </tr> <tr> <th>APPROVED BY</th> <th>DATE</th> </tr> <tr> <td>SMILLER</td> <td>7/12/2004</td> </tr> </tbody> </table>	DRAWN BY	DATE	RKADAMS	7/12/2004	CHECKED BY	DATE	BBARKER	7/12/2004	APPROVED BY	DATE	SMILLER	7/12/2004	TITLE VHDCI RIGHT ANGLE ASSEMBLY molex		MATERIAL NO. SEE TABLE DOCUMENT NO. SD-71430-016 SHEET NO. 2 OF 3					
DRAWN BY	DATE																						
RKADAMS	7/12/2004																						
CHECKED BY	DATE																						
BBARKER	7/12/2004																						
APPROVED BY	DATE																						
SMILLER	7/12/2004																						
THIS DRAWING CONTAINS INFORMATION THAT IS PROPRIETARY TO MOLEX INCORPORATED AND SHOULD NOT BE USED WITHOUT WRITTEN PERMISSION																							



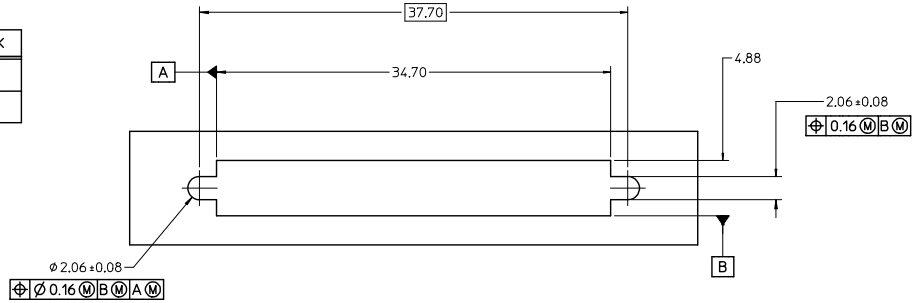
NOTES:

1. FOR FULL MATE WITH PLUG, PANEL THICKNESS SHOULD NOT EXCEED 1.0mm.

FUNCTIONAL MATING WITH MOLEX PLUG CAN STILL BE MAINTAINED WITH PANELS AS THICK AS 2.5mm (BUT PLUG AND RECEPTACLE WILL NOT BE FULLY MATED).

2. GUIDELINES FOR CHOOSING A MOLEX SCREWLOCK:

PANEL THICKNESS	RECOMMENDED SCREWLOCK
LESS THAN OR EQUAL TO 1.00 MM	71433-0002
1.01 TO 2.15 MM	71433-0010



SEE SHEET 1 EC NO: UCP2012-3096 DRAWN BY: CHK/DIMOLFE APPROVED BY: SMILLER DATE: 2012/05/29 DESCRIPTION:	QUALITY SYMBOLS	GENERAL TOLERANCES (UNLESS SPECIFIED)	DIMENSION STYLE	SCALE	DESIGN UNITS	THIRD ANGLE PROJECTION
	4 PLACES \pm --- \pm --- 3 PLACES \pm --- \pm --- 2 PLACES ± 0.13 \pm --- 1 PLACE ± 0.25 \pm --- 0 PLACE \pm --- \pm ---	mm INCH DRAWN BY: RKADAMS DATE: 7/12/2004 CHECKED BY: BBARKER DATE: 7/12/2004 APPROVED BY: SMILLER DATE: 7/12/2004	MM ONLY	4:1	METRIC	THIRD ANGLE PROJECTION
	ANGULAR $\pm 1/2^\circ$	MATERIAL NO.	DOCUMENT NO.	TITLE: VHDCI RIGHT ANGLE ASSEMBLY molex		
	DRAFT WHERE APPLICABLE MUST REMAIN WITHIN DIMENSIONS	SEE SHEET 2	SD-71430-016	SHEET NO. 3 OF 3		