

Excellent Integrated System Limited

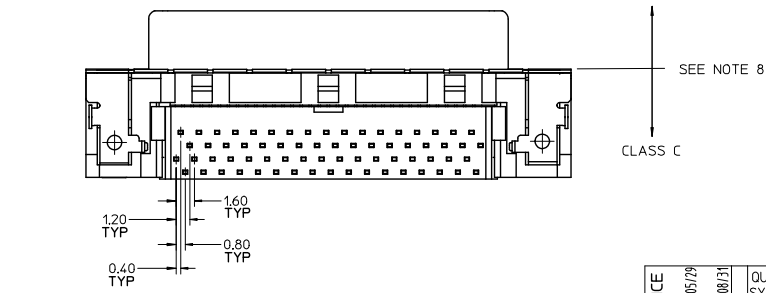
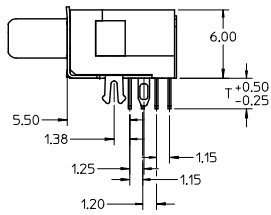
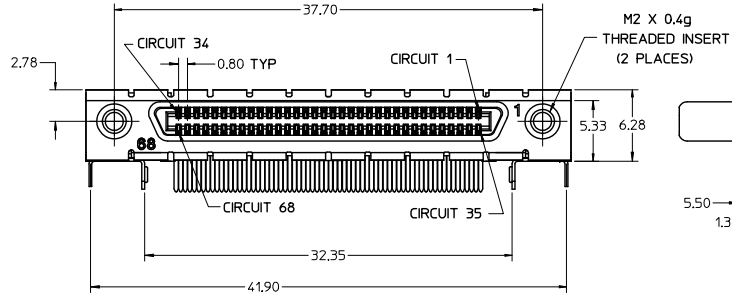
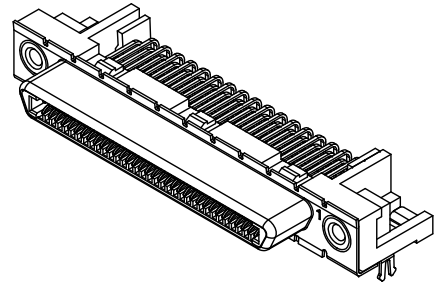
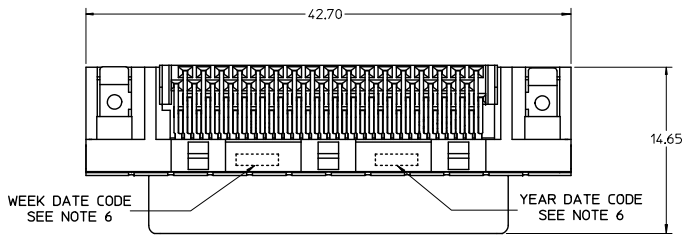
Stocking Distributor

Click to view price, real time Inventory, Delivery & Lifecycle Information:

[Molex Connector Corporation](#)
[0714309005](#)

For any questions, you can email us directly:

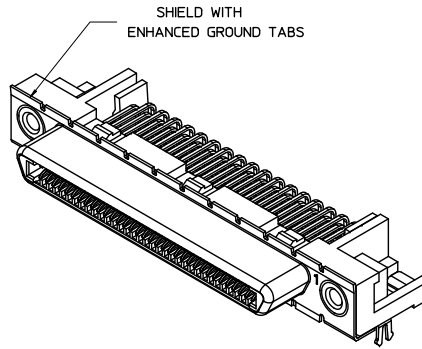
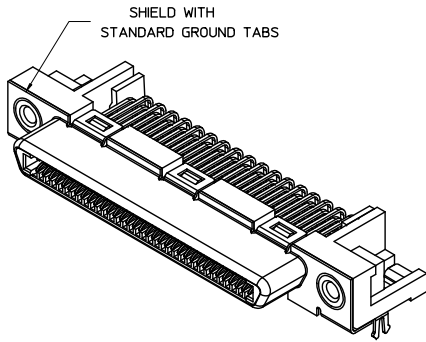
sales@integrated-circuit.com



- NOTES:**
- MATERIALS:**
HOUSING: GLASS-FILLED LIQUID CRYSTAL POLYMER (LCP), UL94 V-0, COLOR:BLACK
TAIL ALIGNER: GLASS-FILLED LIQUID CRYSTAL POLYMER (LCP), UL94 V-0, COLOR:BLACK
TERMINAL: PHOSPHOR BRONZE
SHIELD: STEEL
INSERT: BRASS
 - FINISHES:**
TERMINAL: 0.05-0.25 MICROMETERS GOLD FLASH OVER 0.75 MICROMETERS MINIMUM PALLADIUM NICKEL IN THE CRITICAL CONTACT AREA, 1.87 MICROMETERS MINIMUM TIN IN THE SOLDER TAIL AREA, NICKEL UNDERPLATE OVERALL.
SHIELD: 3.8 MICROMETERS MINIMUM BRIGHT TIN OVER NICKEL.
INSERT: 2.54 MICROMETERS MINIMUM NICKEL.
 - PART PERFORMS TO MOLEX PRODUCT SPECIFICATION PS-71425-9999.
 - PACKAGE PER PK-71430-0101.
 - APPLICABLE STANDARDS: EIA-3652 AND SFF-8441.
 - DATE CODE: YR/WK PER EIA-476-A.
 - TORQUE TO INSTALL SCREWLOCKS INTO THREADED INSERTS: 0.34 Nm MAXIMUM.
 - PRODUCT COMPLIES WITH COSMETIC SPECIFICATION PS-45499-002. SEE BOTTOM VIEW FOR SURFACE CLASSIFICATIONS.

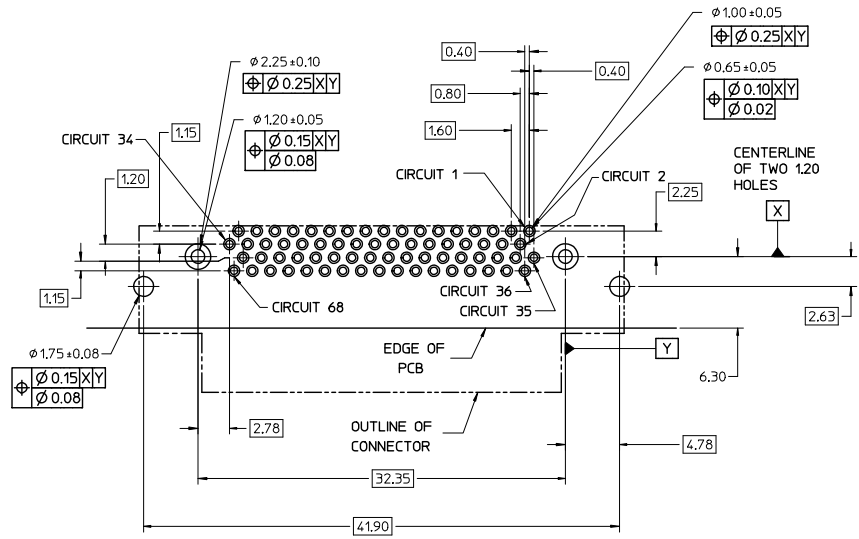
FIX TAIL TOLERANCE EC NO: UCP2012-3896 DRAWN BY: RKBARKER CHECKED BY: CHKDRMOLPE APPROVED BY: APHRS/SMILLER DATE: 2012/05/29 DATE: 2012/08/31 DESCRIPTION:	QUALITY SYMBOLS	GENERAL TOLERANCES (UNLESS SPECIFIED)	DIMENSION STYLE	SCALE	DESIGN UNITS	THIRD ANGLE PROJECTION
	$\nabla=0$ $\nabla=0$ $\nabla=0$	4 PLACES ± --- ± --- 3 PLACES ± --- ± --- 2 PLACES ± 0.13 ± --- 1 PLACE ± 0.25 ± --- 0 PLACE ± ±	MM ONLY	4:1	METRIC	V-HDCI RIGHT ANGLE ASSEMBLY molex
	ANGULAR ±1/2° DRAFT WHERE APPLICABLE MUST REMAIN WITHIN DIMENSIONS	DRAWN BY: RKBARKER CHECKED BY: BBARKER APPROVED BY: SMILLER DATE: 7/12/2004 DATE: 7/12/2004 DATE: 7/12/2004	MATERIAL NO. SEE SHEET 2	DOCUMENT NO. SD-71430-016	SHEET NO. 1 OF 3	
	THIS DRAWING CONTAINS INFORMATION THAT IS PROPRIETARY TO MOLEX INCORPORATED AND SHOULD NOT BE USED WITHOUT WRITTEN PERMISSION					

PCB THICKNESS	PART NUMBER	TAIL LENGTH "T" (SEE FIGURE FOR TOLERANCE)	ENHANCED GROUND TABS	SCREWLOCKS
1.60	71430-9101	2.08	NO	NONE
1.60		2.08	NO	LOOSE IN BAGS
1.60	71430-9005	2.08	YES	NONE
1.60	71430-9008	2.08	YES	LOOSE IN BAGS
2.36		2.71	NO	NONE
2.36	71430-5006	2.71	NO	INSTALLED
2.36	71430-9268	2.71	NO	NONE
2.36	71430-5009	2.71	YES	INSTALLED
2.36		2.71	NO	LOOSE IN BAGS
2.36		2.71	YES	LOOSE IN BAGS



OPTIONAL SCREWLOCK
PART NUMBER 71433-0002

SEE SHEET 1 EC NO: UCF2012-3896 DRAWN BY: CHK/DM/PE APPR: SMILLER 2012/08/31 DESCRIPTION:	QUALITY SYMBOLS	GENERAL TOLERANCES (UNLESS SPECIFIED)	DIMENSION STYLE	SCALE	DESIGN UNITS	THIRD ANGLE PROJECTION
	$\nabla=0$ $\nabla=0$ $\nabla=0$	mm INCH 4 PLACES ± --- ± --- 3 PLACES ± --- ± --- 2 PLACES ± 0.13 ± --- 1 PLACE ± 0.25 ± --- 0 PLACE ± ±	MM ONLY	4:1	METRIC	THIRD ANGLE PROJECTION VHDCI RIGHT ANGLE ASSEMBLY
	ANGULAR ±1/2° DRAFT WHERE APPLICABLE MUST REMAIN WITHIN DIMENSIONS	DRAWN BY: RKADAMS DATE: 7/12/2004 CHECKED BY: BBARKER DATE: 7/12/2004 APPROVED BY: SMILLER DATE: 7/12/2004	MATERIAL NO. SEE TABLE	DOCUMENT NO. SD-71430-016	SHEET NO. 2 OF 3	
	THIS DRAWING CONTAINS INFORMATION THAT IS PROPRIETARY TO MOLEX INCORPORATED AND SHOULD NOT BE USED WITHOUT WRITTEN PERMISSION	molex				



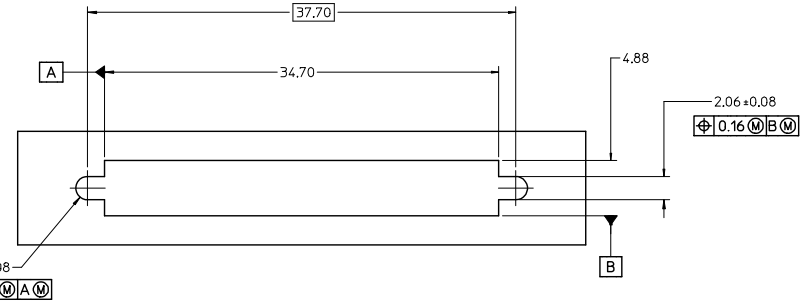
NOTES:

- FOR FULL MATE WITH PLUG, PANEL THICKNESS SHOULD NOT EXCEED 1.0mm.

FUNCTIONAL MATING WITH MOLEX PLUG CAN STILL BE MAINTAINED WITH PANELS AS THICK AS 2.5mm (BUT PLUG AND RECEPTACLE WILL NOT BE FULLY MATED).

2. GUIDELINES FOR CHOOSING A MOLEX SCREWLOCK:

PANEL THICKNESS	RECOMMENDED SCREWLOCK
LESS THAN OR EQUAL TO 1.00 MM	71433-0002
1.01 TO 2.15 MM	71433-0010



SEE SHEET 1 EC NO: UCP2012-3096 DRAWN BY: CHK/DIMOLFE CHECKED BY: APPR:SMILLER DATE: 2012/08/31	QUALITY SYMBOLS ▽=0 ▽=0 ▽=0	GENERAL TOLERANCES (UNLESS SPECIFIED)		DIMENSION STYLE MM ONLY		SCALE 4:1	DESIGN UNITS METRIC	THIRD ANGLE PROJECTION		
		4 PLACES ± --- ± ---	3 PLACES ± --- ± ---	2 PLACES ± 0.13 ± ---	1 PLACE ± 0.25 ± ---	0 PLACE ± ±	DRAWN BY: RKADAMS DATE: 7/12/2004		VHDCI RIGHT ANGLE ASSEMBLY molex DOCUMENT NO. SD-71430-016 SHEET NO. 3 OF 3	
		ANGULAR ±1/2°		DRAFT WHERE APPLICABLE MUST REMAIN WITHIN DIMENSIONS		CHECKED BY: BBARKER DATE: 7/12/2004		APPROVED BY: SMILLER DATE: 7/12/2004		
		MATERIAL NO.		SEE SHEET 2		MATERIAL NO.		DOCUMENT NO.		
SIZE		THIS DRAWING CONTAINS INFORMATION THAT IS PROPRIETARY TO MOLEX INCORPORATED AND SHOULD NOT BE USED WITHOUT WRITTEN PERMISSION		SIZE		THIS DRAWING CONTAINS INFORMATION THAT IS PROPRIETARY TO MOLEX INCORPORATED AND SHOULD NOT BE USED WITHOUT WRITTEN PERMISSION				