

Excellent Integrated System Limited

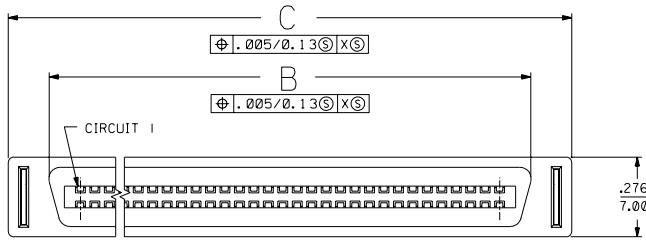
Stocking Distributor

Click to view price, real time Inventory, Delivery & Lifecycle Information:

[Molex Connector Corporation](#)
[0716609050](#)

For any questions, you can email us directly:

sales@integrated-circuit.com

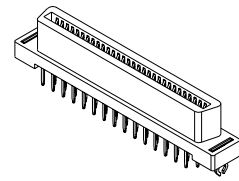
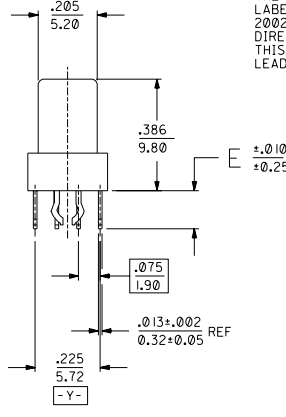
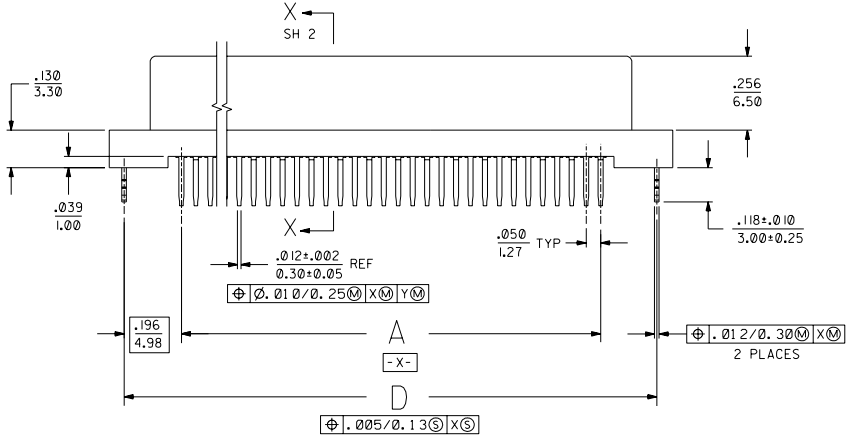


NOTES:

- 1) MATERIALS:
HOUSING- LCP, GLASS FILLED, 94V-0, BLACK.
TERMINALS- COPPER ALLOY
METAL PEGS- COPPER ALLOY
 - 2) PLATING:
.000030 INCHES MINIMUM GOLD IN SELECTIVE CONTACT AREA
OVER .000050-.000100 INCHES NICKEL IN CONTACT AREA.
.000100-.000200 INCHES TIN IN SOLDER TAIL AREA.
 - 3) ASSEMBLY MATES WITH MOLEX P/N SDA-71661-****.
CONFORMS TO PRODUCT SPECIFICATION PS-71660.
- ⚠️ RECOMMENDED P.C. BOARD THICKNESS IS .062 (1.6).
⚠️ CONNECTOR WILL ACCEPT MATING TO A P.C. BOARD WITH A THICKNESS OF .062±.003.

NOTE FOR LEAD FREE CONVERSION:

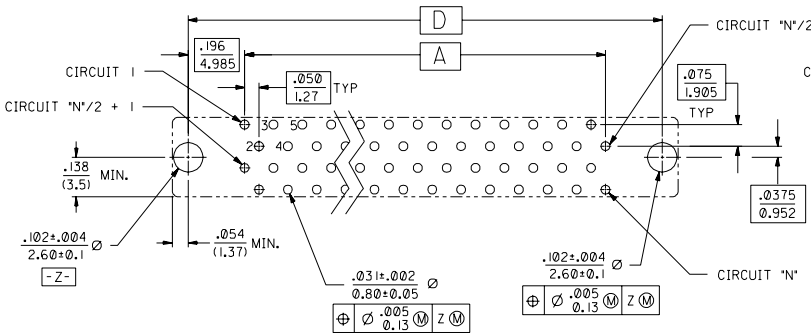
THE PRIMARY SHIPPING CARTON WILL BE LABELED 'COMPLIANT TO ROHS DIRECTIVE 2002/95/EC AND ELV ANNEX II OF DIRECTIVE 2000/53/EC'. CARTONS WITHOUT THIS LABEL MAY CONTAIN PRODUCT WITH LEAD.



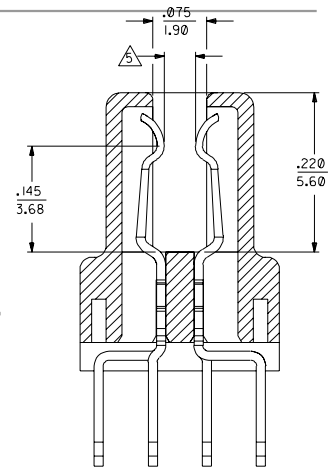
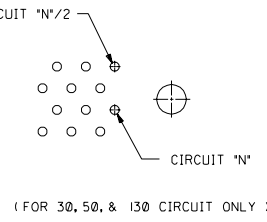
60 CIRCUIT ASSEMBLY SHOWN
SCALE 2:1

F	LEAD FREE CONV ECN UCP2004-2096 RKADAMS 04/04/23
E	REVISED ECN UDT 2000-1231 ACHAMMER 00/06/07
D	REVISED PER ECN U60641 11-29-95 LHS
C	REVISED PER ECN U40506 4-15-94 RAN
B	REVISED PER ECN U31755 12-3-93 RAN
A	INITIAL RELEASE PER ECN U30074 5-18-93 RAN

DIMENSIONS SHOWN (METRIC) INCH UNLESS OTHERWISE SPECIFIED TOLERANCES ARE AS FOLLOWS		REVISE ONLY ON CAD SYSTEM	
1 PLACE	± .005	---	---
2 PLACE	± .01	± 0.13	---
3 PLACE	---	± 0.25	---
DRAWING DIMENSIONS MUST REMAIN WITHIN DIMENSIONS			
DRG. BY: RAN	CHKD. BY: RAN	FILE NAME: S716609050	DATE: 4/23/93
APP'D. CAB	SCALE: 4:1	THIS DRAWING CONTAINS INFORMATION THAT IS PROPRIETARY TO MOLEX INC. AND SHOULD NOT BE USED WITHOUT WRITTEN PERMISSION.	



RECOMMENDED PC BOARD LAYOUT COMPONENT SIDE
(FOR 40,60,68,80,100, & 120 CIRCUIT ONLY)



SECTION X-X
SCALE- 10:1

.110 (2.79)	3.592 (91.25)	3.699 (93.95)	3.418 (86.82)	3.200 (81.28)	130	71660-9430
.110 (2.79)	3.342 (84.90)	3.449 (87.60)	3.168 (80.47)	2.950 (74.93)	120	71660-9420
.110 (2.79)	2.842 (72.20)	2.949 (74.90)	2.668 (67.77)	2.450 (62.23)	100	71660-9400
.110 (2.79)	2.342 (59.50)	2.449 (62.20)	2.168 (55.07)	1.950 (49.53)	80	71660-9380
.110 (2.79)	2.042 (51.88)	2.149 (54.58)	1.868 (47.45)	1.650 (41.91)	68	71660-9368
.110 (2.79)	1.842 (46.80)	1.949 (49.50)	1.668 (42.37)	1.450 (36.83)	60	71660-9360
.110 (2.79)	1.592 (40.45)	1.699 (43.15)	1.418 (36.02)	1.200 (30.48)	50	71660-9350
.110 (2.79)	1.342 (34.10)	1.449 (36.80)	1.168 (29.67)	.950 (24.13)	40	71660-9340
.110 (2.79)	1.092 (27.75)	1.199 (30.45)	.918 (23.32)	.700 (17.78)	30	71660-9330
.134 (3.40)	3.592 (91.25)	3.699 (93.95)	3.418 (86.82)	3.200 (81.28)	130	71660-9130
.134 (3.40)	3.342 (84.90)	3.449 (87.60)	3.168 (80.47)	2.950 (74.93)	120	71660-9120
.134 (3.40)	2.842 (72.20)	2.949 (74.90)	2.668 (67.77)	2.450 (62.23)	100	71660-9100
.134 (3.40)	2.342 (59.50)	2.449 (62.20)	2.168 (55.07)	1.950 (49.53)	80	71660-9080
.134 (3.40)	2.042 (51.88)	2.149 (54.58)	1.868 (47.45)	1.650 (41.91)	68	71660-9068
.134 (3.40)	1.842 (46.80)	1.949 (49.50)	1.668 (42.37)	1.450 (36.83)	60	71660-9060
.134 (3.40)	1.592 (40.45)	1.699 (43.15)	1.418 (36.02)	1.200 (30.48)	50	71660-9050
.134 (3.40)	1.342 (34.10)	1.449 (36.80)	1.168 (29.67)	.950 (24.13)	40	71660-9040
.134 (3.40)	1.092 (27.75)	1.199 (30.45)	.918 (23.32)	.700 (17.78)	30	71660-9030
E	D	C	B	A	CKT ('N')	ITEM NUMBER

DIMENSIONS SHOWN IN METRIC/INCH		UNLESS OTHERWISE SPECIFIED TOLERANCES ARE AS FOLLOWS		REVISIONS	
3 PLACE	± .005	---	---	MFG.	SH.
2 PLACE	± .01	± 0.13	---	REV.	LTR.
1 PLACE	---	± 0.25	---	REVISIONS	
DRAFT WHEN APPLICABLE MUST REMAIN WITHIN DIMENSIONS				REVISE ONLY ON CAD SYSTEM	
TITLE: SALES ASSEMBLY EBBI 500 VERTICAL RCPT W/O CENTER BOARD LOCK & POLAR, PEG					
MOLEX INCORPORATED SHEET NO. 2 DATE 4/23/93					
SEE TABLE SDA-71660-9					
FILE NAME: ST716609050					