

## Excellent Integrated System Limited

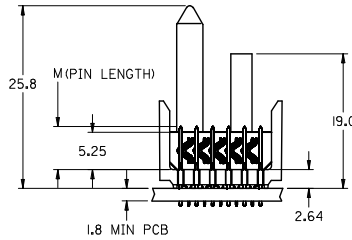
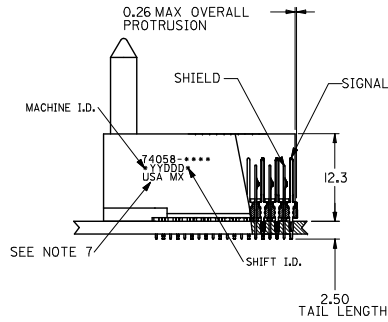
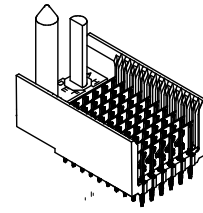
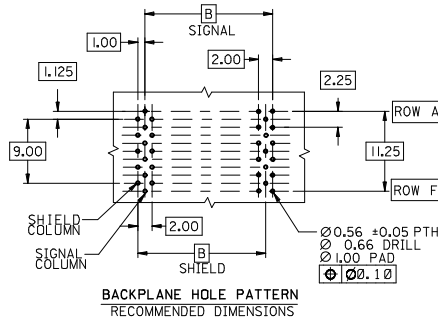
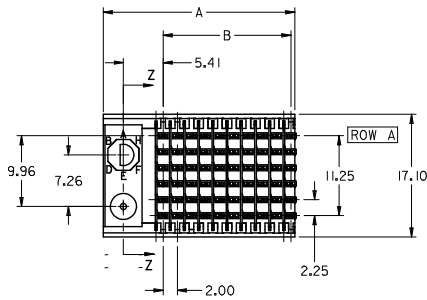
Stocking Distributor

Click to view price, real time Inventory, Delivery & Lifecycle Information:

[Molex Connector Corporation](#)  
[0740581064](#)

For any questions, you can email us directly:

[sales@integrated-circuit.com](mailto:sales@integrated-circuit.com)

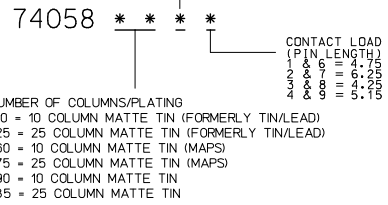
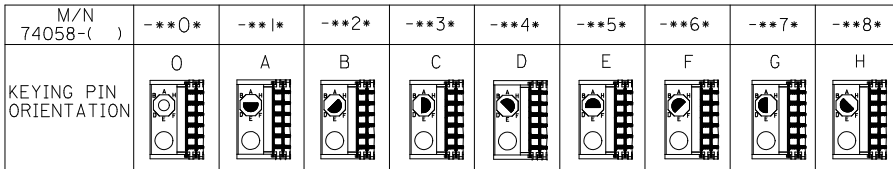


**NOTES:**

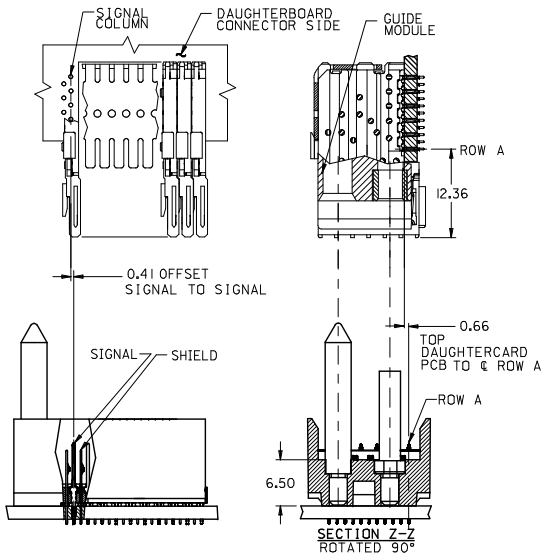
1. MATERIALS:  
HOUSING - LIQUID CRYSTAL POLYMER (LCP),  
GLASS-FILLED, UL 94V-0, COLOR: BLACK  
SIGNAL PIN & SHIELD - COPPER ALLOY
2. FINISHES:  
CONTACT AREA: SELECTIVE GOLD (Au)  
PCB TAILS: SELECTIVE MATTE TIN (Sn)  
NICKEL (Ni) OVERALL.
3. THIS PART CONFORMS TO MOLEX PRODUCT SPECIFICATION PS-74031-999
4. FOR MIXED CONTACT LENGTHS CONSULT MOLEX FOR AVAILABILITY
5. FOR SPECIFIC MATERIAL NUMBERS & MATING INFORMATION REFER TO SHEET 2
6. PACKAGE PER PK-74058-003
7. MARK PART WITH PART NUMBER & DATE CODE APPROXIMATELY WHERE SHOWN
8. MAPS (MOLEX ADVANCED PLATING SYSTEM).

THE PRIMARY CARTON WITH A LABEL STATING "ELV AND RoHS COMPLAINT" IS LEAD FREE. CARTONS WITHOUT THIS LABEL MAY CONTAIN LEAD.

|   |                                      |                                       |                      |                                   |                     |                     |  |                        |
|---|--------------------------------------|---------------------------------------|----------------------|-----------------------------------|---------------------|---------------------|--|------------------------|
| LEAD FREE CONVERSION<br>EC NO: UCP2015-0687<br>DRAWN BY: 2012/08/21<br>CHK: KIMILFE 2012/11/28<br>APPR: SMILLER 2012/12/14    | QUALITY SYMBOLS<br>▽=0<br>▽=0<br>▽=0 | GENERAL TOLERANCES (UNLESS SPECIFIED) |                      | DIMENSION STYLE<br><b>MM ONLY</b> |                     | SCALE<br>2.5:1      | DESIGN UNITS<br>METRIC   | THIRD ANGLE PROJECTION |
|   |                                      | 4 PLACES ± --- ± ---                  | 3 PLACES ± --- ± --- | 2 PLACES ± --- ± ---              | 1 PLACE ± --- ± --- | 0 PLACE ± --- ± --- | DRAWN BY: JMELTON DATE: 2010/05/19<br>CHECKED BY: SDANNELLEY DATE: 2010/05/19<br>APPROVED BY: SMILLER DATE: 2010/07/14 |                        |
| MATERIAL NO. SEE SHEET 2  |                                      | ANGULAR ±1/2°                         |                      | DOCUMENT NO. SD-74058-002         |                     | SHEET NO. 1 OF 2    |  |                        |
| DRAFT WHERE APPLICABLE MUST REMAIN WITHIN DIMENSIONS  |                                      |                                       |                      |                                   |                     |                     |  |                        |
| THIS DRAWING CONTAINS INFORMATION THAT IS PROPRIETARY TO MOLEX INCORPORATED AND SHOULD NOT BE USED WITHOUT WRITTEN PERMISSION |                                      |                                       |                      |                                   |                     |                     |  |                        |



| PART NUMBER | COLUMN | NUMBER OF SIGNAL PIN | NUMBER OF SHIELD | A     | B     | M    | GOLD THICKNESS MICROMETER | TIN THICKNESS MICROMETER |
|-------------|--------|----------------------|------------------|-------|-------|------|---------------------------|--------------------------|
| 74058-60*1  | 10     | 60                   | 10               | 27.00 | 18.00 | 4.75 | 0.25 MAPS                 | 0.76-152                 |
| 74058-x0*6  |        |                      |                  |       |       |      | 0.76                      |                          |
| 74058-75*1  |        |                      |                  |       |       |      | 1.27                      |                          |
| 74058-x5*1  | 25     | 150                  | 25               | 57.00 | 48.00 | 6.25 | 0.25 MAPS                 |                          |
| 74058-x5*6  |        |                      |                  |       |       |      | 0.76                      |                          |
| 74058-60*2  |        |                      |                  |       |       |      | 1.27                      |                          |
| 74058-x0*2  | 10     | 60                   | 10               | 27.00 | 18.00 | 4.25 | 0.25 MAPS                 |                          |
| 74058-x0*7  |        |                      |                  |       |       |      | 0.76                      |                          |
| 74058-75*2  |        |                      |                  |       |       |      | 1.27                      |                          |
| 74058-x5*2  | 25     | 150                  | 25               | 57.00 | 48.00 | 6.25 | 0.25 MAPS                 |                          |
| 74058-x5*7  |        |                      |                  |       |       |      | 0.76                      |                          |
| 74058-60*3  |        |                      |                  |       |       |      | 1.27                      |                          |
| 74058-x0*3  | 10     | 60                   | 10               | 27.00 | 18.00 | 4.25 | 0.25 MAPS                 |                          |
| 74058-x0*8  |        |                      |                  |       |       |      | 0.76                      |                          |
| 74058-75*3  |        |                      |                  |       |       |      | 1.27                      |                          |
| 74058-x5*3  | 25     | 150                  | 25               | 57.00 | 48.00 | 6.25 | 0.25 MAPS                 |                          |
| 74058-x5*8  |        |                      |                  |       |       |      | 0.76                      |                          |
| 74058-60*4  |        |                      |                  |       |       |      | 1.27                      |                          |
| 74058-x0*4  | 10     | 60                   | 10               | 27.00 | 18.00 | 5.15 | 0.25 MAPS                 |                          |
| 74058-x0*9  |        |                      |                  |       |       |      | 0.76                      |                          |
| 74058-75*4  |        |                      |                  |       |       |      | 1.27                      |                          |
| 74058-x5*4  | 25     | 150                  | 25               | 57.00 | 48.00 | 6.25 | 0.25 MAPS                 |                          |
| 74058-x5*4  |        |                      |                  |       |       |      | 0.76                      |                          |
| 74058-x5*9  |        |                      |                  |       |       |      | 1.27                      |                          |



|   |                     |   |            |                 |              |  |              |                        |  |
|---|---------------------|---|------------|-----------------|--------------|--|--------------|------------------------|--|
| SEE SHEET 1<br>IEC NO: UCP/2013-0687<br>DRAWINGS: 2017/08/21<br>CHK'D/MOLDFE: 2017/11/26<br>APPR/S MILLER: 2017/12/14 | QUALITY SYMBOLS<br> | GENERAL TOLERANCES (UNLESS SPECIFIED)   |            | DIMENSION STYLE |              | SCALE  | DESIGN UNITS | THIRD ANGLE PROJECTION |  |
|   |                     | mm INCH   |            | MM ONLY         |              | 2.5:1  | METRIC       |                        |  |
|   |                     | 4 PLACES ±  | ±          | DRAWN BY        | DATE         | TITLE  |              |                        |  |
|   |                     | 3 PLACES ±  | ±          | JMELTON         | 2010/05/19   | VHDM 6 ROW<br>SIGNAL END BACKPLANE<br>SALES ASSEMBLY |              |                        |  |
| 2 PLACES ±  | ±                   | CHECKED BY  | DATE       |                 |              |  |              |                        |  |
| 1 PLACE ±   | ±                   | SDANNELLEY  | 2010/05/19 |                 |              |  |              |                        |  |
| 0 PLACE ±   | ±                   | APPROVED BY   | DATE       | MATERIAL NO.    | DOCUMENT NO. | SHEET NO.  |              |                        |  |
|   |                     | SMILLER   | 2010/07/14 | SEE TABLE       | SD-74058-002 | 2 OF 2   |              |                        |  |
| ANGULAR ±1/2°   |                     | THIS DRAWING CONTAINS INFORMATION THAT IS PROPRIETARY TO MOLEX INCORPORATED AND SHOULD NOT BE USED WITHOUT WRITTEN PERMISSION |            |                 |              |  |              |                        |  |
| DRAFT WHERE APPLICABLE MUST REMAIN WITHIN DIMENSIONS  |                     |   |            |                 |              |  |              |                        |  |