

Excellent Integrated System Limited

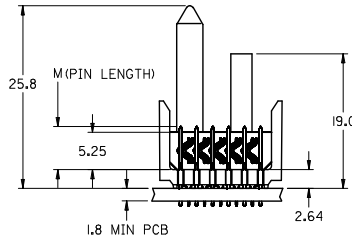
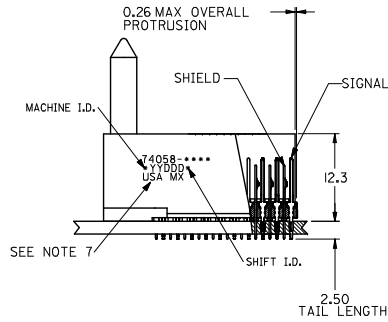
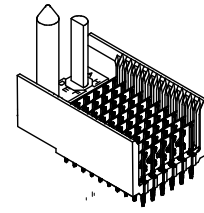
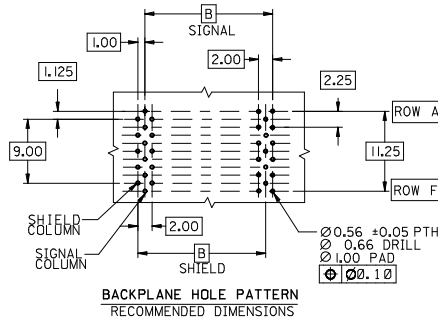
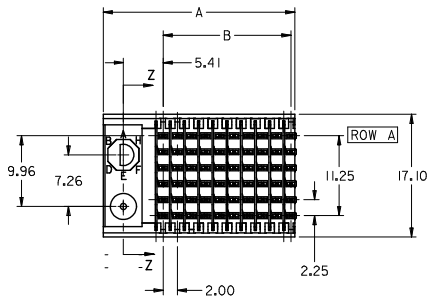
Stocking Distributor

Click to view price, real time Inventory, Delivery & Lifecycle Information:

[Molex Connector Corporation](#)
[0740582563](#)

For any questions, you can email us directly:

sales@integrated-circuit.com

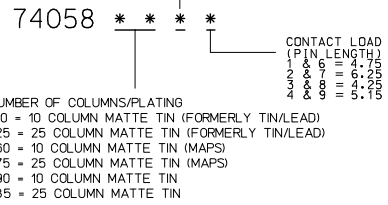
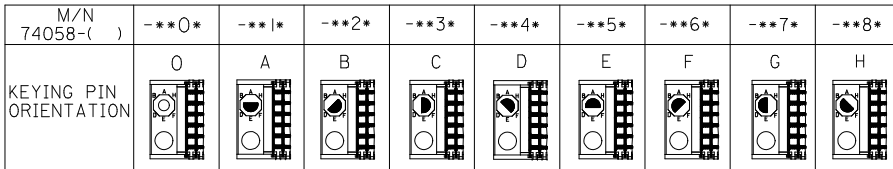


NOTES:

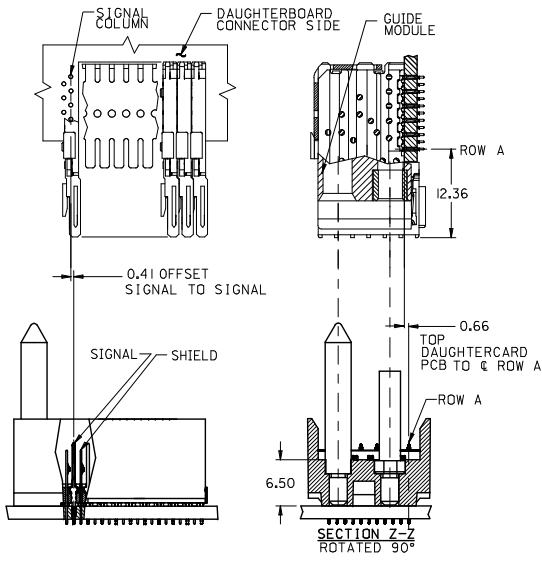
1. MATERIALS:
HOUSING - LIQUID CRYSTAL POLYMER (LCP),
GLASS-FILLED, UL 94V-0, COLOR: BLACK
SIGNAL PIN & SHIELD - COPPER ALLOY
2. FINISHES:
CONTACT AREA: SELECTIVE GOLD (Au)
PCB TAILS: SELECTIVE MATTE TIN (Sn)
NICKEL (Ni) OVERALL.
3. THIS PART CONFORMS TO MOLEX PRODUCT SPECIFICATION PS-74031-999
4. FOR MIXED CONTACT LENGTHS CONSULT MOLEX FOR AVAILABILITY
5. FOR SPECIFIC MATERIAL NUMBERS & MATING INFORMATION REFER TO SHEET 2
6. PACKAGE PER PK-74058-003
7. MARK PART WITH PART NUMBER & DATE CODE APPROXIMATELY WHERE SHOWN
8. MAPS (MOLEX ADVANCED PLATING SYSTEM).

THE PRIMARY CARTON WITH A LABEL STATING "ELV AND RoHS COMPLAINT" IS LEAD FREE. CARTONS WITHOUT THIS LABEL MAY CONTAIN LEAD.

LEAD FREE CONVERSION EC NO: UCP2015-0687 DRAWING NO: 2012/08/21 CHKORWILFE 2012/11/28 APPR:SMILLER 2012/12/14 M REV	QUALITY SYMBOLS ∇=0 ∇=0 ∇=0	GENERAL TOLERANCES (UNLESS SPECIFIED)		DIMENSION STYLE MM ONLY		SCALE 2.5:1	DESIGN UNITS METRIC	THIRD ANGLE PROJECTION			
		4 PLACES ± --- ± ---	3 PLACES ± --- ± ---	2 PLACES ± --- ± ---	1 PLACE ± --- ± ---	0 PLACE ± --- ± ---	DRAWN BY JMELTON	DATE 2010/05/19	TITLE VHDM 6 ROW SIGNAL END BACKPLANE SALES ASSEMBLY		
		ANGULAR ±1/2°					CHECKED BY SDANNELLEY	DATE 2010/05/19	molex		
		DRAFT WHERE APPLICABLE MUST REMAIN WITHIN DIMENSIONS					APPROVED BY SMILLER	DATE 2010/07/14			



PART NUMBER	COLUMN	NUMBER OF SIGNAL PIN	NUMBER OF SHIELD	A	B	M	GOLD THICKNESS MICROMETER	TIN THICKNESS MICROMETER
74058-60*1	10	60	10	27.00	18.00	4.75	0.25 MAPS	0.76-152
74058-x0*6							0.76	
74058-75*1							1.27	
74058-x5*1	25	150	25	57.00	48.00	6.25	0.25 MAPS	
74058-x5*6							0.76	
74058-60*2							1.27	
74058-x0*2	10	60	10	27.00	18.00	4.25	0.25 MAPS	
74058-x0*7							0.76	
74058-75*2							1.27	
74058-x5*2	25	150	25	57.00	48.00	5.15	0.25 MAPS	
74058-x5*7							0.76	
74058-60*3							1.27	
74058-x0*3	10	60	10	27.00	18.00	4.25	0.25 MAPS	
74058-x0*8							0.76	
74058-75*3							1.27	
74058-x5*3	25	150	25	57.00	48.00	5.15	0.25 MAPS	
74058-x5*8							0.76	
74058-60*4							1.27	
74058-x0*4	10	60	10	27.00	18.00	4.25	0.25 MAPS	
74058-x0*9							0.76	
74058-75*4							1.27	
74058-x5*4	25	150	25	57.00	48.00	5.15	0.25 MAPS	
74058-x5*4							0.76	
74058-x5*9							1.27	



SEE SHEET 1 IEC NO: UCP/2013-0687 DRAWINGS: 2017/08/21 CHKD: DMOLFE APPR: SMILLER DATE: 2017/11/26 DATE: 2017/12/14	QUALITY SYMBOLS 	GENERAL TOLERANCES (UNLESS SPECIFIED)		DIMENSION STYLE		SCALE	DESIGN UNITS	THIRD ANGLE PROJECTION	
				MM ONLY		2.5:1	METRIC		
		4 PLACES ±	±	DRAWN BY	DATE	TITLE			
		3 PLACES ±	±	JMELTON	2010/05/19	VHDM 6 ROW SIGNAL END BACKPLANE SALES ASSEMBLY			
2 PLACES ±	±	CHECKED BY	DATE						
1 PLACE ±	±	SDANNELLEY	2010/05/19						
0 PLACE ±	±	APPROVED BY	DATE	MATERIAL NO.		DOCUMENT NO.	SHEET NO.		
		SMILLER	2010/07/14	SEE TABLE		SD-74058-002	2 OF 2		
ANGULAR ±1/2°		DRAFT WHERE APPLICABLE MUST REMAIN WITHIN DIMENSIONS						THIS DRAWING CONTAINS INFORMATION THAT IS PROPRIETARY TO MOLEX INCORPORATED AND SHOULD NOT BE USED WITHOUT WRITTEN PERMISSION	